

Multi-Band Combiner	Dual-Band Combiner Triple-Band Combiner Quad-Band Combiner	Multi-Band Combiner
Tower Mounted Amplifier	Single-Band TMA Dual-Band TMA Triple-Band TMA	Tower Mounted Amplifier
Spectrum Limitation Filter		Spectrum Limitation Filter
Hybrid Combiner		Hybrid Combiner
RF Component	DC-Stop Smart Bias Tee / RIU / RMU Splitter / Tapper 50 Ohm Load	RF Component

Multi-Band Combiner – Dual-Band

Product Name Product No.	Frequency (MHz)	Combiner type	Connector type (female)	Page
Dual-Band Combiner (2-1) 78211180V43	690-2180 + 2400-2700	DC bypass all ports	4.3-10	504
Dual-Band Combiner (4-2) 78211181V43	690-2180 + 2400-2700	DC bypass all ports	4.3-10	
Dual-Band Combiner (4-2) KRF 102 301/2	698-960, 1710-2200 + 2495-2690	DC bypass on all ports	7-16	507
Dual-Band Combiner (4-2) KRF 102 301/9	698-960, 1710-2200 + 2495-2690	DC bypass on all ports	4.3-10	
Dual-Band Combiner (8-4) KRF 102 301/10	698-960, 1710-2200 + 2495-2690	DC bypass on all ports	4.3-10	
Dual-Band Combiner (4-2) 78211288V43	698-806 + 824-960	DC Auto-Sense 'First In - First Out'	4.3-10	509
Dual-Band Combiner (4-2) 78211288V44	698-806 + 824-960	DC Auto-Sense 'Priority Controlled'	4.3-10	
Dual-Band Combiner (4-2) KRF 102 378/12	698-803 + 824-894	DC bypass on all ports	4.3-10	512
Dual-Band Combiner (2-1) 78211430V43	694-862 + 880-960	DC bypass all ports	4.3-10	514
Dual-Band Combiner (4-2) 78211431V43	694-862 + 880-960	DC bypass all ports	4.3-10	
Dual-Band Combiner (4-2) 78211438V43	694-862 + 880-960	DC Auto-Sense 'First In - First Out'	4.3-10	517
Dual-Band Combiner (4-2) 78211438V44	694-862 + 880-960	DC Auto-Sense 'Priority Controlled'	4.3-10	
Dual-Band Combiner (4-2) KRF 102 405/2	694-862 + 880-960	DC bypass on all ports	4.3-10	520
Dual-Band Combiner (2-1) 78211470	703-788 + 791-960	DC bypass all ports	4.3-10	522
Dual-Band Combiner (4-2) 78211471	703-788 + 791-960	DC bypass all ports	4.3-10	
Dual-Band Combiner (2-1) 78211472	703-788 + 791-960	DC bypass 791-960	4.3-10	
Dual-Band Combiner (4-2) 78211473	703-788 + 791-960	DC bypass 791-960	4.3-10	
Dual-Band Combiner (4-2) 78211476	703-788 + 791-960	DC bypass cross version	4.3-10	525
Dual-Band Combiner (4-2) 78211478	703-788 + 791-960	DC Auto-Sense 'First In - First Out'	4.3-10	528
Dual-Band Combiner (4-2) 78211478V01	703-788 + 791-960	DC Auto-Sense 'Priority Controlled'	4.3-10	
Dual-Band Combiner (2-1) 78210970V43	790-862 + 880-960	DC bypass all ports	4.3-10	531
Dual-Band Combiner (4-2) 78210971V43	790-862 + 880-960	DC bypass all ports	4.3-10	
Dual-Band Combiner (2-1) 78210972V43	790-862 + 880-960	DC bypass 880-960	4.3-10	
Dual-Band Combiner (4-2) 78210973V43	790-862 + 880-960	DC bypass 880-960	4.3-10	
Dual-Band Combiner (2-1) 78210974V43	790-862 + 880-960	DC bypass 790-862	4.3-10	534
Dual-Band Combiner (4-2) 78210975V43	790-862 + 880-960	DC bypass 790-862	4.3-10	
Dual-Band Combiner (4-2) 78210978V43	790-862 + 880-960	DC Auto-Sense 'First In - First Out'	4.3-10	
Dual-Band Combiner (4-2) 78210978V44	790-862 + 880-960	DC Auto-Sense 'Priority Controlled'	4.3-10	537
Dual-Band Combiner (4-2) 78210979V43	790-862 + 880-960	DC bypass cross version	4.3-10	

Multi-Band Combiner – Dual-Band

Product Name Product No.	Frequency (MHz)	Combiner type	Connector type (female)	Page
Dual-Band Combiner (2-1) 78211460	380-960 + 1427-3800	DC bypass all ports	4.3-10	540
Dual-Band Combiner (4-2) 78211461	380-960 + 1427-3800	DC bypass all ports	4.3-10	
Dual-Band Combiner (2-1) 78211462	380-960 + 1427-3800	DC bypass 1427-3800	4.3-10	
Dual-Band Combiner (4-2) 78211463	380-960 + 1427-3800	DC bypass 1427-3800	4.3-10	
Dual-Band Combiner (4-2) 78211466	380-960 + 1427-3800	DC bypass cross version	4.3-10	543
Dual-Band Combiner (4-2) 78211468	380-960 + 1427-3800	DC Auto-Sense 'First In - First Out'	4.3-10	546
Dual-Band Combiner (4-2) 78211468V01	380-960 + 1427-3800	DC Auto-Sense 'Priority Controlled'	4.3-10	
Dual-Band Combiner (2-1) 78210660	470-960 + 1695-2700	DC bypass all ports	7-16	549
Dual-Band Combiner (4-2) 78210661	470-960 + 1695-2700	DC bypass all ports	7-16	
Dual-Band Combiner (2-1) 78210662	470-960 + 1695-2700	DC bypass 1695-2700	7-16	
Dual-Band Combiner (4-2) 78210663	470-960 + 1695-2700	DC bypass 1695-2700	7-16	
Dual-Band Combiner (4-2) 78210669	470-960 + 1695-2700	DC bypass cross version	7-16	552
Dual-Band Combiner (2-1) 78210660V43	470-960 + 1695-2700	DC bypass all ports	4.3-10	555
Dual-Band Combiner (4-2) 78210661V43	470-960 + 1695-2700	DC bypass all ports	4.3-10	
Dual-Band Combiner (2-1) 78210662V43	470-960 + 1695-2700	DC bypass 1695-2700	4.3-10	
Dual-Band Combiner (4-2) 78210663V43	470-960 + 1695-2700	DC bypass 1695-2700	4.3-10	
Dual-Band Combiner (4-2) 78210669V43	470-960 + 1710-2700	DC bypass cross version	4.3-10	558
Dual-Band Combiner (4-2) 78211628	1427-1880 + 1920-2690	DC Auto-Sense 'First In - First Out'	4.3-10	561
Dual-Band Combiner (4-2) 78211628V01	1427-1880 + 1920-2690	DC Auto-Sense 'Priority Controlled'	4.3-10	
Dual-Band Combiner (4-2) KRF 102 386/8	1710-1880 + 1920-2690	DC bypass on all ports	4.3-10	564
Dual-Band Combiner (2-1) 78210620V43	1710-1880 + 1920-2200	DC bypass all ports	4.3-10	566
Dual-Band Combiner (4-2) 78210621V43	1710-1880 + 1920-2200	DC bypass all ports	4.3-10	
Dual-Band Combiner (2-1) 78210622V43	1710-1880 + 1920-2200	DC bypass 1920-2200	4.3-10	
Dual-Band Combiner (4-2) 78210623V43	1710-1880 + 1920-2200	DC bypass 1920-2200	4.3-10	
Dual-Band Combiner (4-2) 78210626V43	1710-1880 + 1920-2200	DC bypass cross version	4.3-10	569
Dual-Band Combiner (4-2) 78210628V43	1710-1880 + 1920-2200	DC Auto-Sense 'First In - First Out'	4.3-10	572
Dual-Band Combiner (4-2) 78210628V44	1710-1880 + 1920-2200	DC Auto-Sense 'Priority Controlled'	4.3-10	

Multi-Band Combiner – Dual-Band

Product Name Product No.	Frequency (MHz)	Combiner type	Connector type (female)	Page
Dual-Band Combiner (2-1) 78211530	1427-1518 + 1710-2690	DC bypass all ports	4.3-10	575
Dual-Band Combiner (4-2) 78211531	1427-1518 + 1710-2690	DC bypass all ports,	4.3-10	
Dual-Band Combiner (2-1) 78211532	1427-1518 + 1710-2690	DC bypass 1710-2690	4.3-10	
Dual-Band Combiner (4-2) 78211533	1427-1518 + 1710-2690	DC bypass 1710-2690	4.3-10	
Dual-Band Combiner (4-2) 78211536	1427-1518 + 1710-2690	DC bypass cross version	4.3-10	578
Dual-Band Combiner (4-2) 78211538	1427-1518 + 1710-2690	DC Auto-Sense 'First In - First Out'	4.3-10	581
Dual-Band Combiner (4-2) 78211538V01	1427-1518 + 1710-2690	DC Auto-Sense 'Priority Controlled'	4.3-10	
Dual-Band Combiner (4-2) KRF 102 419/1	1427-1518 + 1710-2690	DC bypass on all ports	4.3-10	584
Dual-Band Combiner (2-1) 78211790	1427-2200 + 2300-2690	DC bypass all ports	4.3-10	586
Dual-Band Combiner (4-2) 78211791	1427-2200 + 2300-2690	DC bypass all ports	4.3-10	
Dual-Band Combiner (2-1) 78211792	1427-2200 + 2300-2690	DC bypass 2300-2690	4.3-10	
Dual-Band Combiner (4-2) 78211793	1427-2200 + 2300-2690	DC bypass 2300-2690	4.3-10	
Dual-Band Combiner (2-1) 78211794	1427-2200 + 2300-2690	DC bypass 1427-2200	4.3-10	
Dual-Band Combiner (4-2) 78211795	1427-2200 + 2300-2690	DC bypass 1427-2200	4.3-10	
Dual-Band Combiner (4-2) 78211796	1427-2200 + 2300-2690	DC bypass cross version	4.3-10	
Dual-Band Combiner (4-2) 78211798	1427-2200 + 2300-2690	DC Auto-Sense 'First In - First Out'	4.3-10	
Dual-Band Combiner (4-2) 78211798V01	1427-2200 + 2300-2690	DC Auto-Sense 'Priority Controlled'	4.3-10	592
Dual-Band Combiner (4-2) KRF 102 409/1	1850-1995 + 1695-1780, 2110-2360	DC bypass on all ports	4.3-10	595
Dual-Band Combiner (8-4) KRF 102 409/2	1850-1995 + 1695-1780, 2110-2360	DC bypass on all ports	4.3-10	
Dual-Band Combiner (4-2) KRF 102 409/3	1850-1995 + 1695-1780, 2110-2360	DC bypass on all ports	4.3-10	
Dual-Band Combiner (8-4) KRF 102 407/2	2300-2400 + 2496-2690	DC bypass on all ports	4.3-10	597
Dual-Band Combiner (4-2) KRF 102 432/4	2540-2560, 2660-2680 + 2600-2615	DC bypass on all ports	4.3-10	599

New Product

Multi-Band Combiner – Triple-Band

Product Name Product No.	Frequency (MHz)	Combiner type	Connector type (female)	Page
Triple-Band Combiner (3-1) 78211820	690-862 + 880-960 + 1427-3800	DC bypass all ports	4.3-10	601
Triple-Band Combiner (6-2) 78211821	690-862 + 880-960 + 1427-3800	DC bypass all ports	4.3-10	
Triple-Band Combiner (6-2) 78211828	690-862 + 880-960 + 1427-3800	DC Auto-Sense 'First In - First Out'	4.3-10	604
Triple-Band Combiner (6-2) 78211828V01	690-862 + 880-960 + 1427-3800	DC Auto-Sense 'Priority Controlled'	4.3-10	
Triple-Band Combiner (3-1) 78211490	703-788 + 791-960 + 1427-3800	DC bypass all ports	4.3-10	607
Triple-Band Combiner (6-2) 78211491	703-788 + 791-960 + 1427-3800	DC bypass all ports	4.3-10	
Triple-Band Combiner (6-2) 78211498	703-788 + 791-960 + 1427-3800	DC Auto-Sense 'First In - First Out'	4.3-10	610
Triple-Band Combiner (6-2) 78211498V01	703-788 + 791-960 + 1427-3800	DC Auto-Sense 'Priority Controlled'	4.3-10	
Triple-Band Combiner (3-1) 78211450	380-960 + 1427-2200 + 2300-2690	DC bypass all ports	4.3-10	613
Triple-Band Combiner (6-2) 78211451	380-960 + 1427-2200 + 2300-2690	DC bypass all ports	4.3-10	
Triple-Band Combiner (3-1) 78211452	380-960 + 1427-2200 + 2300-2690	DC bypass 2300-2690	4.3-10	616
Triple-Band Combiner (6-2) 78211453	380-960 + 1427-2200 + 2300-2690	DC bypass 2300-2690	4.3-10	
Triple-Band Combiner (6-2) 78211458	380-960 + 1427-2200 + 2300-2690	DC Auto-Sense 'First In - First Out'	4.3-10	
Triple-Band Combiner (6-2) 78211458V01	380-960 + 1427-2200 + 2300-2690	DC Auto-Sense 'Priority Controlled'	4.3-10	619
Triple-Band Combiner (3-1) 78211560	380-960 + 1427-1880 + 1920-2690	DC bypass all ports	4.3-10	
Triple-Band Combiner (6-2) 78211561	380-960 + 1427-1880 + 1920-2690	DC bypass all ports	4.3-10	
Triple-Band Combiner (3-1) 78211562	380-960 + 1427-1880 + 1920-2690	DC bypass 1920-2690	4.3-10	622
Triple-Band Combiner (6-2) 78211563	380-960 + 1427-1880 + 1920-2690	DC bypass 1920-2690	4.3-10	
Triple-Band Combiner (6-2) 78211568	380-960 + 1427-1880 + 1920-2690	DC Auto-Sense 'First In - First Out'	4.3-10	
Triple-Band Combiner (6-2) 78211568V01	380-960 + 1427-1880 + 1920-2690	DC Auto-Sense 'Priority Controlled'	4.3-10	625
Triple-Band Combiner (3-1) 78211570	380-960 + 1427-1518 + 1710-2690	DC bypass all ports	4.3-10	
Triple-Band Combiner (6-2) 78211571	380-960 + 1427-1518 + 1710-2690	DC bypass all ports	4.3-10	
Triple-Band Combiner (3-1) 78211574	380-960 + 1427-1518 + 1710-2690	DC bypass 380-960	4.3-10	628
Triple-Band Combiner (6-2) 78211575	380-960 + 1427-1518 + 1710-2690	DC bypass 380-960	4.3-10	
Triple-Band Combiner (6-2) 78211578	380-960 + 1427-1518 + 1710-2690	DC Auto-Sense 'First In - First Out'	4.3-10	
Triple-Band Combiner (6-2) 78211578V01	380-960 + 1427-1518 + 1710-2690	DC Auto-Sense 'Priority Controlled'	4.3-10	

Multi-Band Combiner – Triple-Band

Product Name Product No.	Frequency (MHz)	Combiner type	Connector type (female)	Page
Triple-Band Combiner (3-1) 78211690	1427-1880 + 1920-2360 + 2496-2690	DC bypass all ports	4.3-10	631
Triple-Band Combiner (6-2) 78211691	1427-1880 + 1920-2360 + 2496-2690	DC bypass all ports	4.3-10	
Triple-Band Combiner (6-2) 78211696	1427-1880 + 1920-2360 + 2496-2690	DC bypass cross version	4.3-10	634
Triple-Band Combiner (3-1) 78211697	1427-1880 + 1920-2360 + 2496-2690	DC Auto-Sense 'First In - First Out'	4.3-10	637
Triple-Band Combiner (3-1) 78211697V01	1427-1880 + 1920-2360 + 2496-2690	DC Auto-Sense 'Priority Controlled'	4.3-10	
Triple-Band Combiner (6-2) 78211698	1427-1880 + 1920-2360 + 2496-2690	DC Auto-Sense 'First In - First Out'	4.3-10	
Triple-Band Combiner (6-2) 78211698V01	1427-1880 + 1920-2360 + 2496-2690	DC Auto-Sense 'Priority Controlled'	4.3-10	
Triple-Band Combiner (3-1) 78211400V43	1710-1880 + 1920-2170 + 2300-2700	DC bypass all ports	4.3-10	640
Triple-Band Combiner (6-2) 78211401V43	1710-1880 + 1920-2170 + 2300-2700	DC bypass all ports	4.3-10	
Triple-Band Combiner (3-1) 78211402V43	1710-1880 + 1920-2170 + 2300-2700	DC bypass 1710-1880	4.3-10	
Triple-Band Combiner (6-2) 78211403V43	1710-1880 + 1920-2170 + 2300-2700	DC bypass 1710-1880	4.3-10	
Triple-Band Combiner (3-1) 78211404V43	1710-1880 + 1920-2170 + 2300-2700	DC bypass 1920-2170	4.3-10	
Triple-Band Combiner (6-2) 78211405V43	1710-1880 + 1920-2170 + 2300-2700	DC bypass 1920-2170	4.3-10	
Triple-Band Combiner (3-1) 78211407V43	1710-1880 + 1920-2170 + 2300-2700	DC Auto-Sense 'First In - First Out'	4.3-10	
Triple-Band Combiner (3-1) 78211407V44	1710-1880 + 1920-2170 + 2300-2700	DC Auto-Sense 'Priority Controlled'	4.3-10	
Triple-Band Combiner (6-2) 78211408V43	1710-1880 + 1920-2170 + 2300-2700	DC Auto-Sense 'First In - First Out'	4.3-10	643
Triple-Band Combiner (6-2) 78211408V44	1710-1880 + 1920-2170 + 2300-2700	DC Auto-Sense 'Priority Controlled'	4.3-10	
Triple-Band Combiner (6-2) KRF 102 449/1	1710-1780, 2110-2180 + 1850-1995 + 2496-2690	no DC/AISG bypass	NEX10/4.3-10	
Triple-Band Combiner (6-2) KRF 102 449/2	1710-1780, 2110-2180 + 1850-1995 + 2496-2690	no DC/AISG bypass	NEX10/4.3-10	646

Multi-Band Combiner – Quad-Band

Product Name Product No.	Frequency (MHz)	Combiner type	Connector type (female)	Page
Quad-Band Combiner (4-1) 78211580	380-960 + 1427-1880 + 1920-2200 + 2300-2690	DC bypass all ports	4.3-10	648
Quad-Band Combiner (8-2) 78211581	380-960 + 1427-1880 + 1920-2200 + 2300-2690	DC bypass all ports	4.3-10	
Quad-Band Combiner (4-1) 78211582	380-960 + 1427-1880 + 1920-2200 + 2300-2690	DC bypass 2300-2690	4.3-10	
Quad-Band Combiner (8-2) 78211583	380-960 + 1427-1880 + 1920-2200 + 2300-2690	DC bypass 2300-2690	4.3-10	
Quad-Band Combiner (4-1) 78211584	380-960 + 1427-1880 + 1920-2200 + 2300-2690	DC bypass 1920-2200	4.3-10	
Quad-Band Combiner (8-2) 78211585	380-960 + 1427-1880 + 1920-2200 + 2300-2690	DC bypass 1920-2200	4.3-10	
Quad-Band Combiner (8-2) 78211588	380-960 + 1427-1880 + 1920-2200 + 2300-2690	DC Auto-Sense 'First In - First Out'	4.3-10	651
Quad-Band Combiner (8-2) 78211588V01	380-960 + 1427-1880 + 1920-2200 + 2300-2690	DC Auto-Sense 'Priority Controlled'	4.3-10	
Quad-Band Combiner (4-1) 78211340	690-862 + 880-960 + 1427-1880 + 1920-2690	DC bypass all ports	4.3-10	654
Quad-Band Combiner (8-2) 78211341	690-862 + 880-960 + 1427-1880 + 1920-2690	DC bypass all ports	4.3-10	
Quad-Band Combiner (8-2) 78211348	690-862 + 880-960 + 1427-1880 + 1920-2690	DC Auto-Sense 'First In - First Out'	4.3-10	657
Quad-Band Combiner (8-2) 78211348V01	690-862 + 880-960 + 1427-1880 + 1920-2690	DC Auto-Sense 'Priority Controlled'	4.3-10	

Auto-Sense Combiners – Functionality and Benefits

In order to enable the control of ALDs¹⁾ when deploying standard multi-band combiners in mobile communication networks, such combiners are fitted with integrated DC/AISG bypass circuits. Depending on the application, different bypass configurations are available. The correct bypass combination needs to be selected in order to ensure the proper control and configuration of the ALDs.

With Auto-Sense Combiners the correct bypass is detected automatically, thereby enabling safe and easy deployment in universal applications.

How does it work?

Two different modes

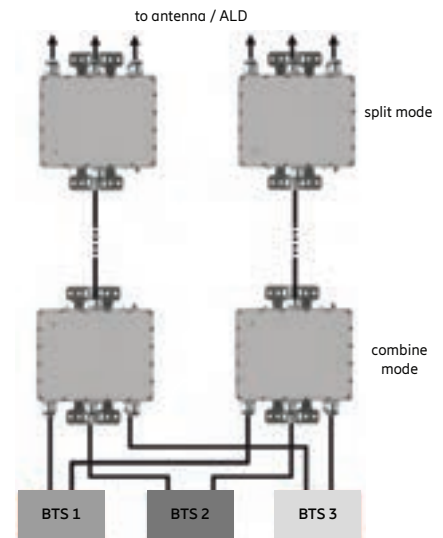
Auto-Sense Combiners automatically switch into the appropriate mode by checking the DC voltage on all ports.

Split mode: close to the antenna

- Combiners detect if an ALD (DC load) or an antenna (short circuit) is connected to a port and therefore bypass or block the DC/AISG signal.
- LEDs for each port indicate if DC is bypassed or not.

Combine mode: close to the BTS

- Automatic detection of DC voltage on one or more input ports. DC/AISG signal is bypassed to connected ALDs according to three different functional preconfigurations.
- In combine mode, LEDs show if DC is connected to a port and which DC/AISG signal is put through to the common port.

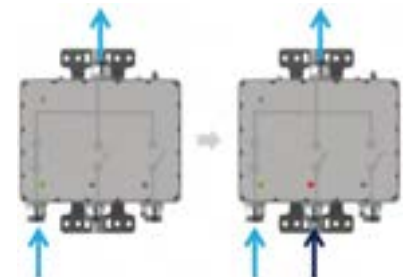


Two different functional preconfigurations

Auto-Sense Combiners are available in two variants with different preconfigured functions.

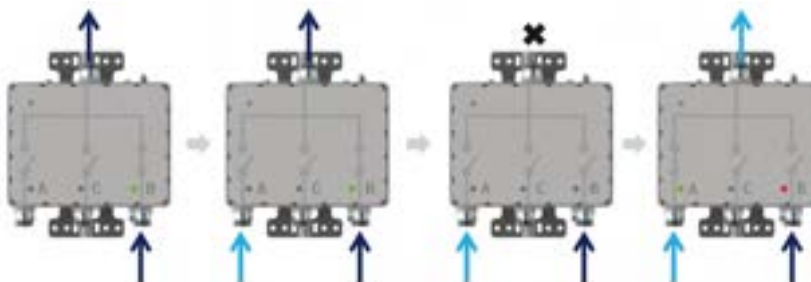
First In – First Out function

- The first BTS which supplies DC voltage at any input port is bypassed to the common port, other DC/AISG signals will be ignored and blocked.
- After installation, LED lights help to adjust the system by indicating the bypass situation.



Priority Controlled function

- The combiner detects all ports that are supplied with DC and bypasses the AISG/DC signal with the highest priority according to a preprogrammed priority table setting. (For detailed information on the preset priorities of each combiner, please check the latest datasheets on our website.)
- LED lights indicate which port/signal is bypassed and which ones are blocked. If a new base station is connected, the combiner automatically switches the DC/AISG bypass to this port if the priority is higher than the one of the currently bypassed port.



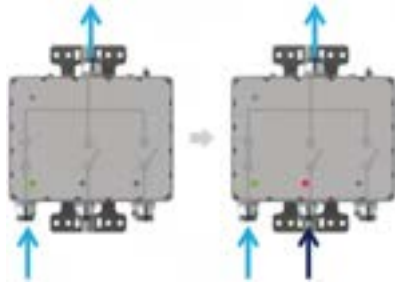
¹⁾ ALD = Antenna Line Device

Auto-Sense Combiners – Functionality and Benefits

Benefits and features

• LED status indication

Installation mistakes can be easily revealed as LEDs for each port indicate if DC is bypassed or not and even if the DC is blocked.



combine mode

Green LED light indicates that this is the port / DC signal that is bypassed to the common port.

Red light indicates that this port would also be supplied with a DC/AISG signal, but the signal is blocked.

No light indicates that no DC has been detected on this port.

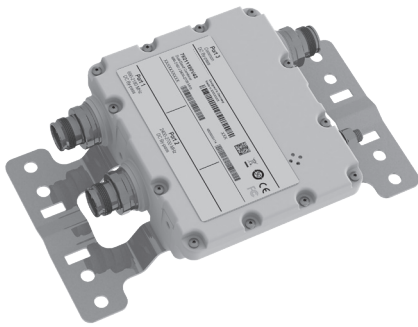
• Simplification

Auto-Sense Combiners can be used for split and combine applications – one type for all DC bypass situations. As soon as DC is connected to the combiner, the combiner will detect its role in the system and automatically adjust the behavior accordingly.

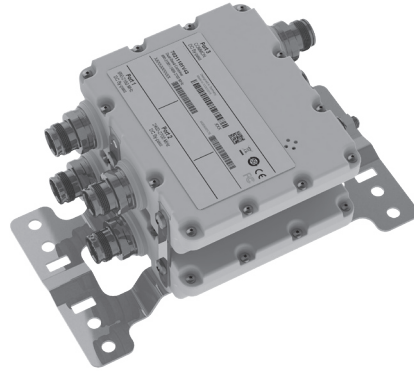
• Savings and efficiency

The multi usability of Auto-Sense Combiners helps to reduce stock, ordering logistics and number of parts. No external DC stops are required either.

For more detailed information please see the Auto-Sense quickguide on our website.



Single Unit



Double Unit

Dual-Band Combiner

78211180V43, 78211181V43

690–2180 MHz
2400–2700 MHz

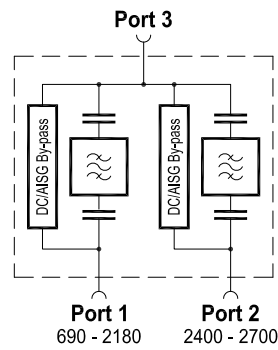
- Can be used as a combiner near the BTS or in a reciprocal function near the antenna
- Very low insertion loss
- Enables feeder sharing
- Designed for co-siting purposes
- Suitable for indoor and outdoor applications
- Wall or mast mounting
- Built-in lightning protection
- External DC stop available as an accessory



ericsson.com/antenna-system



Scan or [click](#)



Product No.		78211180V43 Single Unit
		78211181V43 Double Unit
Pass band Band 1	MHz	690 – 2180
Band 2	MHz	2400 – 2700
Insertion loss Port 1 ↔ Port 3	dB	< 0.2 (690 – 2180 MHz) typ. 0.1
Port 2 ↔ Port 3	dB	< 0.15 (2400 – 2700 MHz) typ. 0.1
Isolation Port 1 ↔ Port 2	dB	> 50 (690 – 2180 MHz), > 48 (2400 – 2700 MHz)
VSWR		< 1.22 (690 – 2180 MHz) < 1.2 (2400 – 2700 MHz)
Impedance	Ω	50
Input power Band 1 / Band 2	W	< 300 / < 300
Intermodulation products	dBc	< -160 (3 rd order; with 2 x 20 W)
Temperature range	°C °F	-55 ... +60 -67 ... +140
Connectors		4.3-10 female
Application		Indoor or outdoor (IP 66)
DC/AISG transparency Port 1 ↔ Port 3	mA	By-pass (max. 2500)
Port 2 ↔ Port 3	mA	By-pass (max. 2500)
Lightning protection	kA	3, 10/350 μs pulse
Mounting		Wall mounting: With 4 screws (max. 8 mm diameter) / Mast mounting: With additional clamp set
Weight	kg lb	Single Unit: 1.5 3.3 / Double Unit: 2.8 6.2
Dimensions (w x h x d)	mm in	Single Unit: 141 x 119 x 48 5.6 x 4.7 x 1.9 / Double Unit: 141 x 119 x 99 5.6 x 4.7 x 3.9 (without connectors, without mounting brackets)
Packing size	mm in	Single Unit: 266 x 196 x 130 10.5 x 7.7 x 5.1 / Double Unit: 266 x 196 x 180 10.5 x 7.7 x 7.1

Accessories (order separately)

Product No.		Clamp set suitable for mast diameter of
734360	mm in	34–60 1.34–2.36
734364	mm in	120–140 4.72–5.51
734365	mm in	45–125 1.77–4.92

Product No.	Description
78210484	50-Ohm load
78211000	DC stop

Typical Attenuation Curves

Diagram I

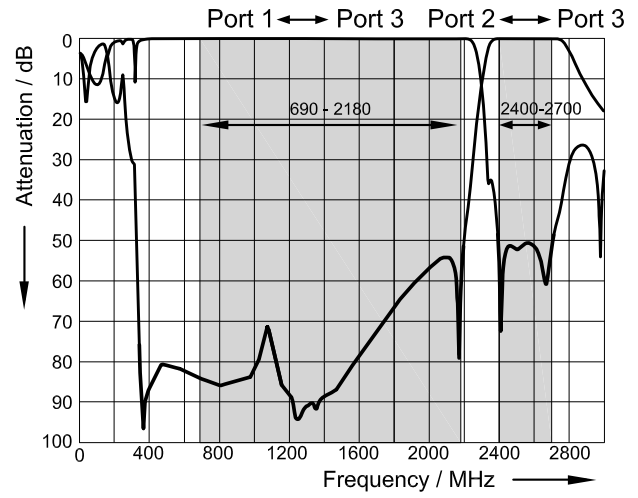
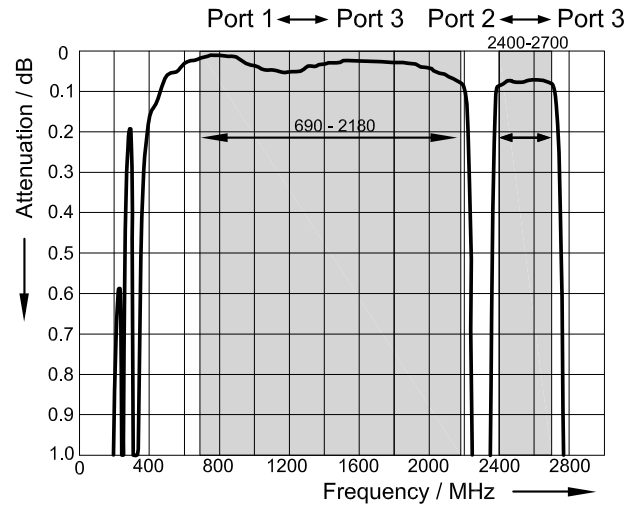
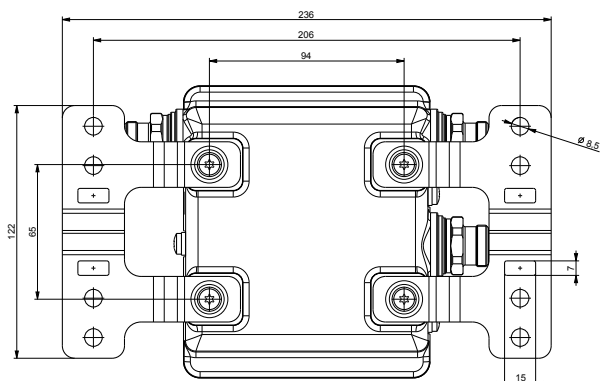
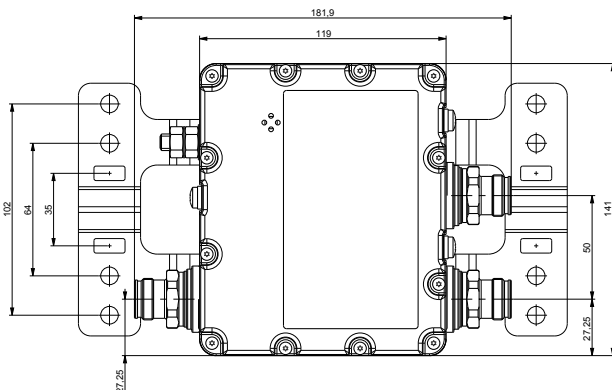
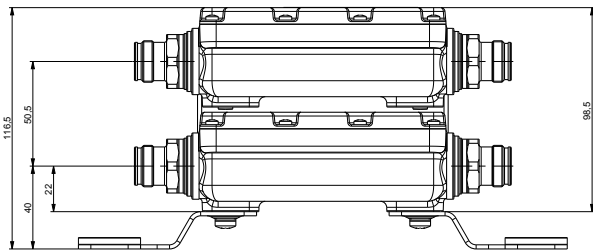
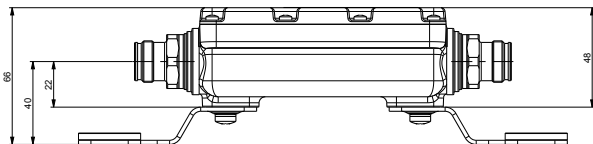


Diagram II



Dimensions in mm





Double Unit



Quad Unit

Dual-Band Combiner

KRF 102 301/2, KRF 102 301/9, KRF 102 301/10

698–960 MHz, 1710–2200 MHz
2495–2690 MHz

- Designed for Ericsson and non-Ericsson system compatibility
- Easy and fast installation
- Long neck connectors for easier optional sealing
- Extremely low insertion loss
- High power handling capability
- Excellent isolation performance
- Both indoor and outdoor applicable
- Wall mounting brackets and pole clamps are included



ericsson.com/antenna-system

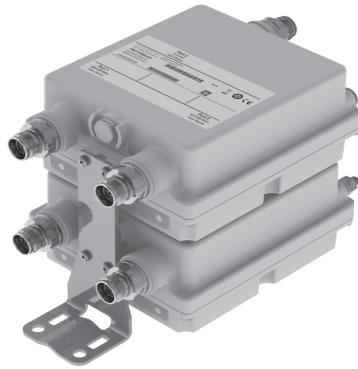


Scan or [click](#)

Product No.		KRF 102 301/2 Double Unit	KRF 102 301/9 Double Unit	KRF 102 301/10 Quad Unit
Electrical Specifications**				
Frequency range - Low port: - High port:	MHz	698 – 960 / 1710 – 2200 2495 – 2690		
Max. power handling (continuous) - Low Port: - High Port:	W	500 80		
Insertion loss low band - 698–1980 MHz: - 1980–2170 MHz: - 2170–2200 MHz:	dB	0.12* 0.21* 0.24*		
Insertion loss high band - 2495–2690 MHz:	dB	0.18*		
All ports Return loss: Isolation:	dB	> 20 > 55 (698–2200 MHz) > 55 (2495–2500 MHz)		
Impedance	Ω	50		
Intermodulation IM3 (at 2x43 dBm): IM5 (at 2x43 dBm): IM7 (at 2x43 dBm):	dBm	< -114 < -123 < -123		
DC + AISG transparency Maximum DC voltage: Maximum DC current:	Vdc A	40 3		
Mechanical Specifications				
Dimensions (H x W x D)	mm	200 x 145 x 91	200 x 145 x 91	200 x 289 x 83
Weight	kg	4	4	7.3
Mounting options		Pole or wall	Pole or wall	Pole or wall
RF connectors		7-16 (f), long neck	4.3-10 (f), long neck	4.3-10 (f), long neck
Environmental Specifications**				
Operating temperature	°C	-40 to +55		
Humidity		Relative 5–100%		
IP class		IP67		
Lightning protection		3 kA 10/350 μ s		
Product safety		International (CB): IEC 62368-1 Europe (CE): EN 62368-1 North America (ETL): CSA/UL 62368-1		

* Typical values

** Common values for all variants

AUTO-
SENSE

Double Unit

Dual-Band Combiner

78211288V43, 78211288V44

698–806 MHz
824–960 MHz

- Can be used as a combiner near the BTS or in a reciprocal function near the antenna
- Very low insertion loss
- Enables feeder sharing
- Designed for co-siting purposes
- Integrated Auto-Sense technology for automatic DC / AISG detection and bypass functionality
- Suitable for indoor or outdoor applications
- Wall or mast mounting
- Built-in lightning protection



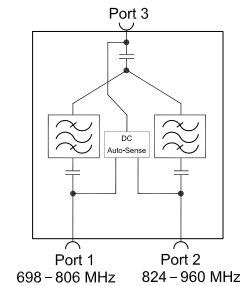
ericsson.com/antenna-system



Scan or [click](#)

Priority table for 78211288V44 with Priority Controlled Function	
698—806 MHz	Priority 1 (highest)
824—960 MHz	Priority 2 (lowest)

For more information see Auto-Sense quick guide later in this datasheet.



Product No.			
DC/AISG transparency			
1. First In - First Out Function			
2. Priority Controlled Function			
		78211288V43	<u>clamps</u>
		78211288V44	<u>included</u>
		Double Unit	
Pass band			
Band 1	MHz	698 – 806	
Band 2	MHz	824 – 960	
Insertion loss			
Port 1 ↔ Port 3	dB	< 0.3 (698 – 796 MHz); < 0.5 (796 – 806 MHz)	
Port 2 ↔ Port 3	dB	< 0.5 (824 – 834 MHz); < 0.3 (834 – 960 MHz)	
Isolation			
Port 1 ↔ Port 2	dB	> 50	
VSWR		< 1.2	
Impedance	Ω	50	
Input power			
Band 1 / Band 2	W	< 300	
Intermodulation products	dBc	< -160 (3 rd order; with 2 x 20 W)	
Temperature range	°C °F	-40 ... +60 -40 ... +140	
Connectors		4.3-10 female	
Application		Indoor or outdoor (IP 66)	
DC/AISG transparency			
Port 1 ↔ Port 3	mA	Auto-Sense (max. 2000)	
Port 2 ↔ Port 3	mA	Auto-Sense (max. 2000)	
Lightning protection	kA	3, 10/350 μs pulse	
Mounting	mm in	Wall mounting: With 4 screws (max. 8 0.315 diameter) Mast mounting: With included clamp set	
Windload (at Rated Wind Speed: 150 km/h)	N lbf N lbf	49 11.0 (frontal) 40 9.0 (lateral)	
Weight	kg lb	5.0 11.0	
Dimensions (w x h x d)	mm in	153 x 171 x 167 6.0 x 6.7 x 6.5 (without connectors, without mounting brackets)	
Packing size	mm in	365 x 235 x 245 14.4 x 9.3 x 9.6	

Accessories (included)

Product No.		Clamp set suitable for most diameter of
734365	mm in	45–125 1.77–4.92

Accessories (order separately)

Product No.		Description
78210484		50-Ohm load
78211000		DC stop
734360	mm in	Clam set: 34–60 1.34–2.36
734364	mm in	Clamp set: 120–140 4.72–5.51

Typical Attenuation Curves

Diagram I

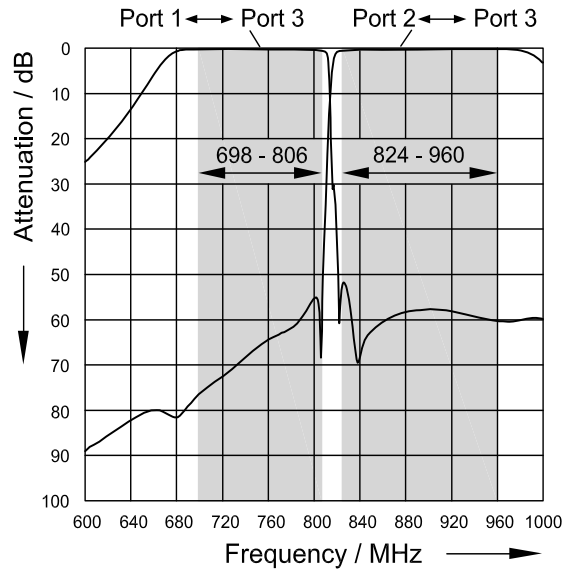
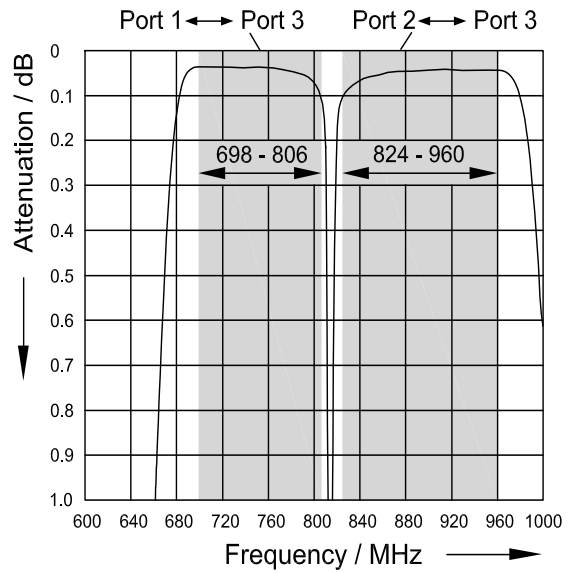
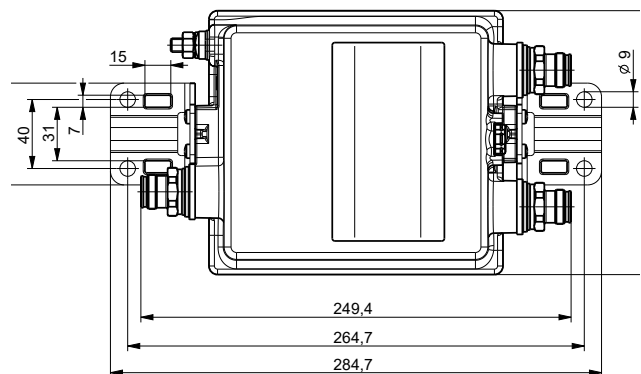
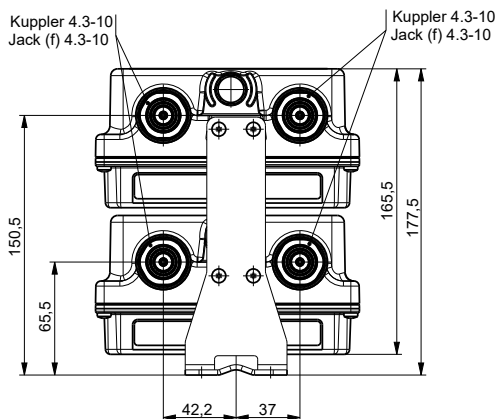


Diagram II



Dimensions in mm





Double Unit

Dual-Band Combiner

KRF 102 378/12

698–803 MHz

824–894 MHz

- Designed for Ericsson and non-Ericsson system compatibility
- Easy and fast installation
- Low insertion loss
- Wall mounting brackets and pole clamps are included
- The diplex filter is IP67 class and weatherproof



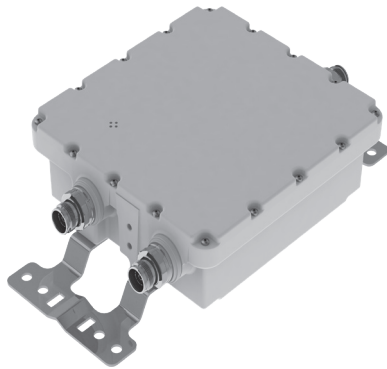
ericsson.com/antenna-system



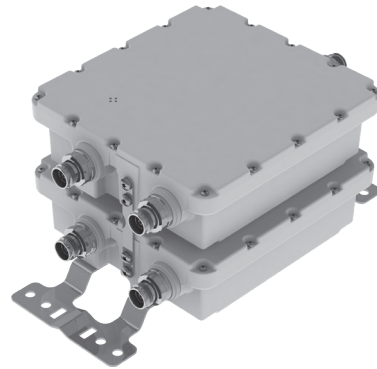
Scan or [click](#)

Product No.		KRF 102 378/12 Double Unit
Electrical Specifications*		
Frequency range - Low port: - High port:	MHz	698–803 (B28, B12-B14, B17) 824–894 (B5)
Insertion loss	dB	< 0.4
Return loss	dB	> 20
Isolation	dB	> 50
Power handling - Continuous: - Peak:	dBm	53 61
Intermodulation (IM3) at 2x43 dBm	dBm	< -117
DC By-pass		40 V, 3 A. 3GPP (AISG) transparent
Mechanical Specifications (coupler unit)		
Dimensions (H x W x D)	mm	310 × 160 × 69 (excl. connectors)
Weight	kg	5.3
RF connectors		4.3-10 (f)
Mounting options		Pole or wall
Environmental Specifications*		
Temperature range, full performance	°C	-40 to +55 -40 to +70 (non-destructive)
IP class		Outdoor, IP67

* Common values for both variants



Single Unit



Double Unit

Dual-Band Combiner

78211430V43, 78211431V43

694–862 MHz
880–960 MHz

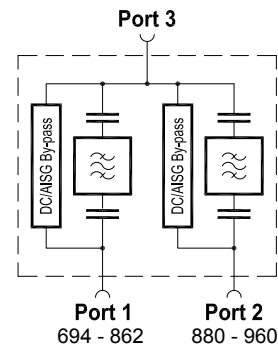
- Can be used as a combiner near the BTS or in a reciprocal function near the antenna
- Very low insertion loss
- Enables feeder sharing
- Designed for co-siting purposes
- Available as a single unit, or for XPol antennas as double unit
- Suitable for indoor or outdoor applications
- Wall or mast mounting
- Built-in lightning protection
- External DC stop available as an accessory



ericsson.com/antenna-system



Scan or [click](#)



Product No.		78211430V43 Single Unit
		78211431V43 Double Unit
Pass band Band 1 Band 2	MHz MHz	694 – 862 880 – 960
Insertion loss Port 1 ↔ Port 3 Port 2 ↔ Port 3	dB dB	< 0.4, typically 0.2 (694 – 862 MHz) < 0.4, typically 0.2 (880 – 960 MHz)
Isolation Port 1 ↔ Port 2	dB	> 45 (694 – 862 MHz / 880 – 960 MHz)
VSWR		< 1.25 (694 – 862 / 880 – 960 MHz)
Impedance	Ω	50
Input power Band 1 / Band 2	W	< 300
Intermodulation products	dBc	< -160 (3 rd order; with 2 x 20 W)
Temperature range	°C °F	-55 ... +60 -67 ... +140
Connectors		4.3-10 female
Application		Indoor or outdoor (IP 66)
DC/AISG transparency Port 1 ↔ Port 3 Port 2 ↔ Port 3	mA mA	By-pass (max. 2500) By-pass (max. 2500)
Lightning protection	kA	3, 10/350 μs pulse
Mounting	mm in	Wall mounting: With 4 screws (max. 8 mm diameter) Mast mounting: With additional clamp set
Weight	kg lb	Single Unit: 3 6.6 / Double Unit: 6 13.2
Dimensions (w x h x d)	mm in	Single Unit: 200 x 214 x 66 mm 7.9 x 8.4 x 2.6 Double Unit: 200 x 214 x 137 7.9 x 8.4 x 5.4 (without connectors, without mounting brackets)
Packing size	mm in	Single Unit: 400 x 265 x 150 15.7 x 10.4 x 5.9 Double Unit: 400 x 265 x 220 15.7 x 10.4 x 8.7

Accessories (order separately)

Product No.		Clamp set suitable for mast diameter of
734360	mm in	34–60 1.34–2.36
734364	mm in	120–140 4.72–5.51
734365	mm in	45–125 1.77–4.92

Product No.	Description
78210484	50-Ohm load
78211000	DC stop

Typical Attenuation Curves

Diagram I

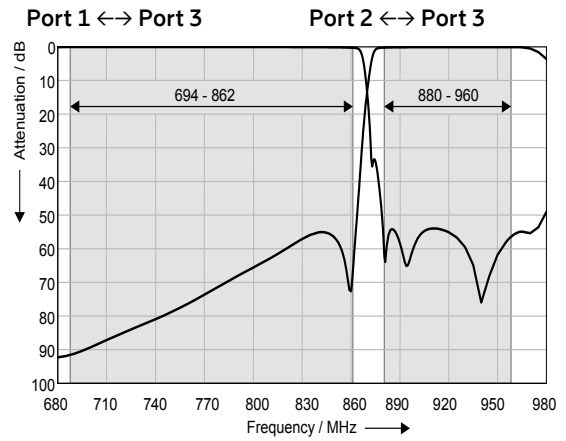
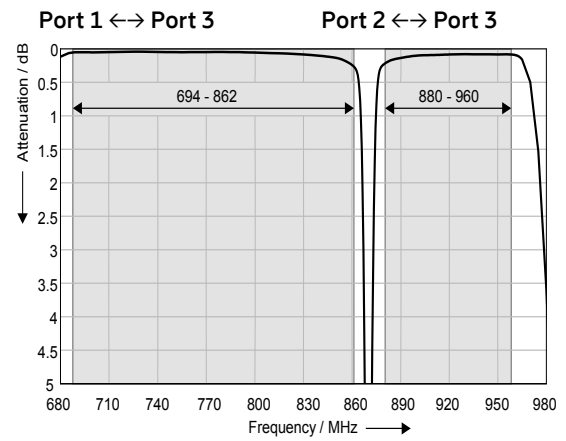
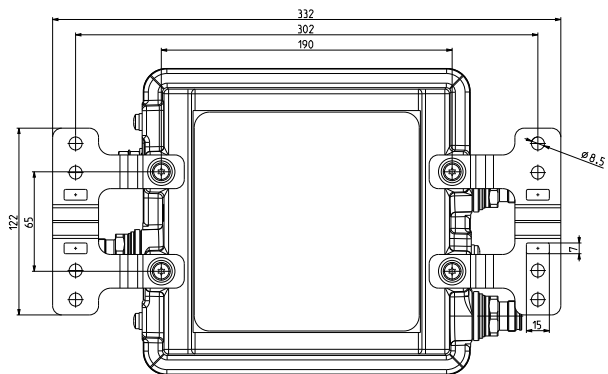
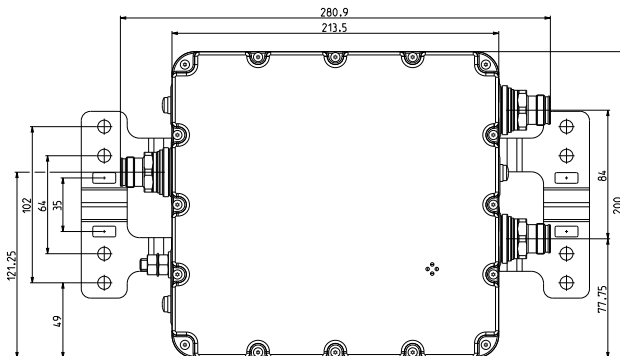
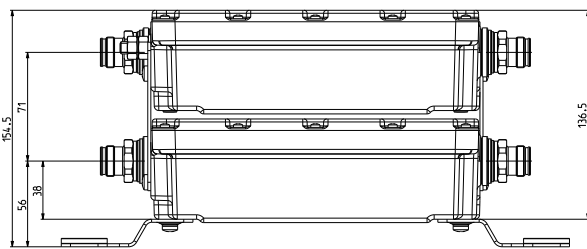
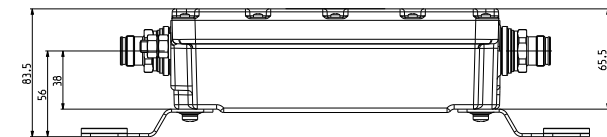
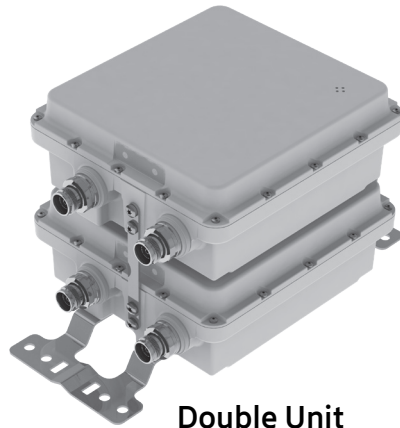


Diagram II



Dimensions in mm



AUTO-
SENSE

Double Unit

Dual-Band Combiner

78211438V43, 78211438V44

694–862 MHz
880–960 MHz

- Can be used as a combiner near the BTS or in a reciprocal function near the antenna
- Very low insertion loss
- Enables feeder sharing
- Designed for co-siting purposes
- Integrated Auto-Sense technology for automatic DC / AISG detection and bypass functionality
- Suitable for indoor and outdoor applications
- Wall or mast mounting
- Built-in lightning protection



ericsson.com/antenna-system

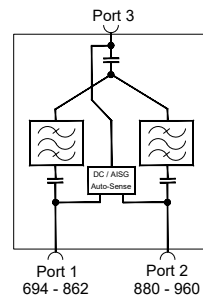


Scan or [click](#)

Priority table for 78211438V44 with Priority Controlled Function

694–862 MHz	Priority 1 (highest)
880–960 MHz	Priority 2 (lowest)

For more information see Auto-Sense quick guide later in this datasheet.



Product No. DC/AISG transparency 1. First In - First Out Function 2. Priority Controlled Function		78211438V43 78211438V44 Double Unit
Pass band Band 1 Band 2	MHz MHz	694 – 862 880 – 960
Insertion loss Port 1 ↔ Port 3 Port 2 ↔ Port 3	dB dB	< 0.4, typically 0.2 (694 – 862 MHz) < 0.4, typically 0.2 (880 – 960 MHz)
Isolation Port 1 ↔ Port 2	dB	> 45 (694 – 862 MHz / 880 – 960 MHz)
VSWR		< 1.25 (694 – 862 / 880 – 960 MHz)
Impedance	Ω	50
Input power Band 1 / Band 2	W	< 300
Intermodulation products	dBc	< -160 (3 rd order; with 2 x 20 W)
Temperature range	°C °F	-55 ... +60 -67 ... +140
Connectors		4.3-10 female
Application		Indoor or outdoor (IP 66)
DC/AISG transparency Port 1 ↔ Port 3 Port 2 ↔ Port 3	mA mA	Auto-Sense (max. 2000) Auto-Sense (max. 2000)
Lightning protection	kA	3, 10/350 μs pulse
Mounting	mm in	Wall mounting: With 4 screws (max. 8 mm diameter) / Mast mounting: With additional clamp set
Weight	kg lb	6.4 14.1
Dimensions (w x h x d)	mm in	200 x 214 x 173 7.9 x 8.4 x 6.8 (without connectors, without mounting brackets)
Packing size	mm in	395 x 260 x 253 15.6 x 10.2 x 10.0

Accessories (order separately)

Product No.		Clamp set suitable for mast diameter of
734360	mm in	34–60 1.34–2.36
734364	mm in	120–140 4.72–5.51
734365	mm in	45–125 1.77–4.92

Product No.	Description
78210484	50-Ohm load
78211000	DC stop

Typical Attenuation Curves

Diagram I

Port 1 ↔ Port 3

Port 2 ↔ Port 3

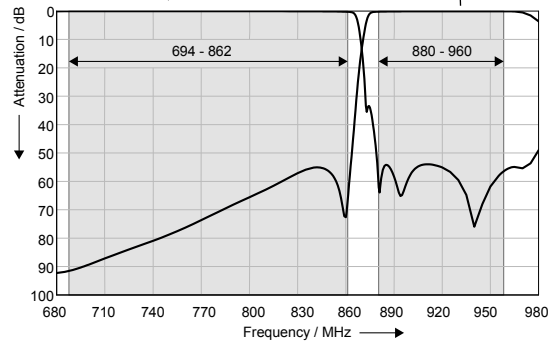
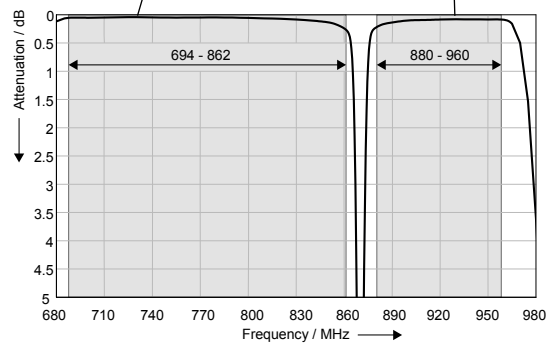


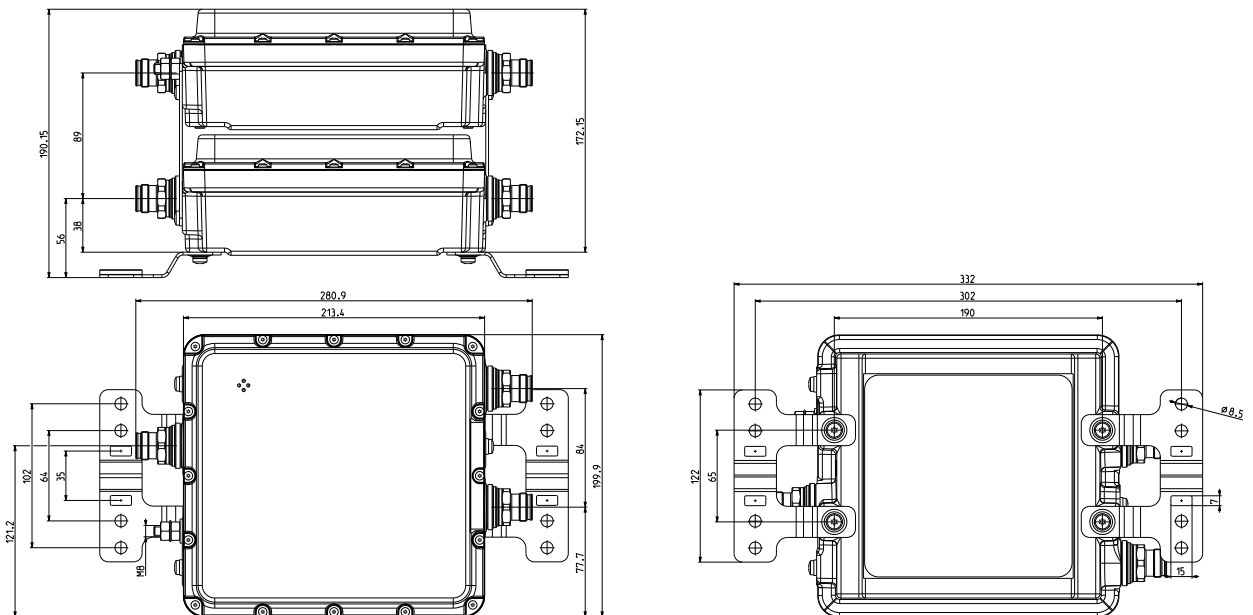
Diagram II

Port 1 ↔ Port 3

Port 2 ↔ Port 3



Dimensions in mm





Double Unit

Dual-Band Combiner

KRF 102 405/2

694–862 MHz
880–960 MHz

- Excellent isolation performance
- Verified with Ericsson RBSs
- Very low insertion loss
- Indoor and outdoor proof

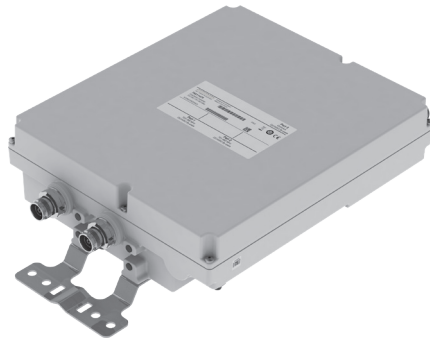


ericsson.com/antenna-system

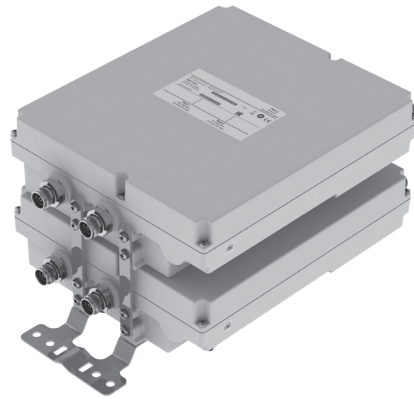


Scan or [click](#)

Product No.		KRF 102 405/2 Double Unit
Electrical Specifications		
Frequency range - Low port: - High port:	MHz	694–862 880–960
DC configuration		Pass all
Insertion loss	dB	< 0.15 (typical), < 0.4 (guaranteed)
Return loss	dB	> 19
Isolation	dB	> 50
Power handling - Continuous power, max: - Peak power:	dBm	53 61
Intermodulation (IM3) at 2x43 dBm	dBm	< -115
Mechanical Specifications		
Dimensions (H × W × D)	mm	219.6 × 219.6 × 70 (excl. connectors)
Weight	kg	5.3
RF connectors		4.3-10 (f)
Mounting options		Rail, pole, or wall mounting (Rail bracket ordered separately)
Environmental Specifications		
Sealing		IP67
Temperature range, full performance	°C	-40 to +55



Single Unit



Double Unit

Dual-Band Combiner

78211470, 78211471,
78211472, 78211473

703–788 MHz
791–960 MHz

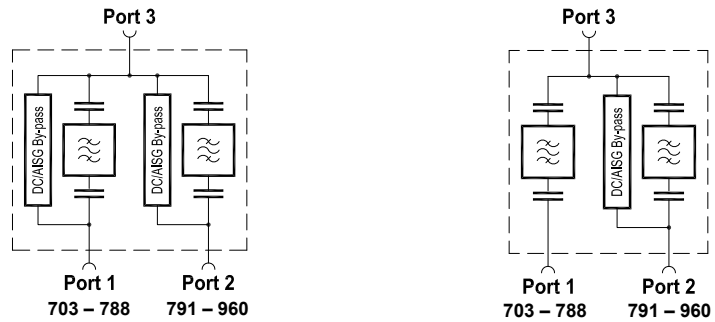
- Can be used as a combiner near the BTS or in a reciprocal function near the antenna
- Very low insertion loss
- Enables feeder sharing
- Designed for co-siting purposes
- Available as a single unit, or for XPol antennas as double unit
- Suitable for indoor and outdoor applications
- Wall or mast mounting
- Built-in lightning protection
- External DC stop available as an accessory



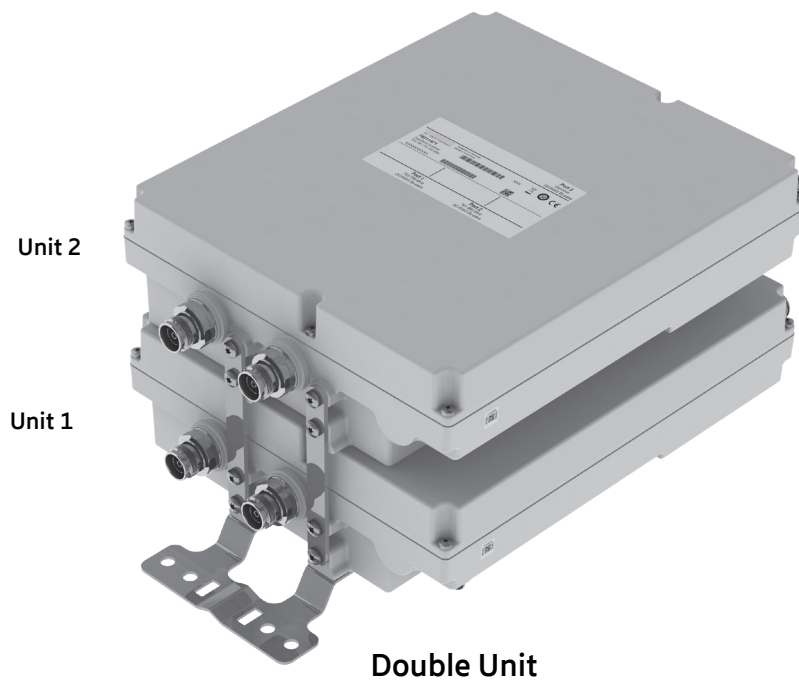
ericsson.com/antenna-system



Scan or [click](#)



Product No.		78211470 Single Unit	78211472 Single Unit
		78211471 Double Unit	78211473 Double Unit
Pass band Band 1 Band 2	MHz MHz	703 – 788 791 – 960	
Insertion loss Port 1 ↔ Port 3 Port 2 ↔ Port 3	dB dB	< 0.3 (703 – 777 MHz) / < 0.5 (777 – 784 MHz) / < 1.3 (784 – 788 MHz), typically 0.3 < 1.3 (791 – 798 MHz) / < 0.5 (798 – 802 MHz) / < 0.4 (802 – 960 MHz), typically 0.4	
Isolation Port 1 ↔ Port 2	dB	> 40	
VSWR		< 1.25	
Impedance	Ω	50	
Input power Band 1 / Band 2	W	< 200 / < 200	
Intermodulation products	dBc	< -160 (3 rd order; with 2 x 20 W)	
Temperature range	°C °F	-40 ... +60 -40 ... +140	
Connectors		4.3-10 female	
Application		Indoor or outdoor (IP 66)	
DC/AISG transparency Port 1 ↔ Port 3 Port 2 ↔ Port 3	mA mA	By-pass (max. 2500) By-pass (max. 2500)	Stop By-pass (max. 2500)
Lightning protection	kA	3, 10/350 μs pulse	
Mounting	mm in	Wall mounting: With 4 screws (max. diameter 8 0.315) Mast mounting: With additional clamp set	
Weight	kg lb	Single unit: 6.2 13.7 / Double unit: 12 26.5	
Dimensions (w x h x d)	mm in	Single unit: 258 x 301 x 88 10.2 x 11.9 x 3.5 Double unit: 258 x 301 x 178 10.2 x 11.9 x 7.0 (without connectors, without mounting brackets)	
Packin size	mm in	Single unit: 477 x 334 x 175 18.8 x 13.1 x 6.9 Double unit: 477 x 334 x 265 18.8 x 13.1 x 10.4	



Dual-Band Combiner

78211476

703–788 MHz
791–960 MHz

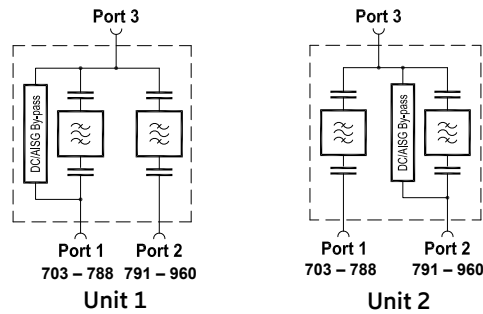
- Can be used as a combiner near the BTS or in a reciprocal function near the antenna
- Very low insertion loss
- Enables feeder sharing
- Designed for co-siting purposes
- Suitable for indoor and outdoor applications
- Wall or mast mounting
- Built-in lightning protection
- External DC stop available as an accessory



ericsson.com/antenna-system



Scan or [click](#)



Product No.		78211476 Double Unit	
Pass band Band 1	MHz	703 – 788	
Band 2	MHz	791 – 960	
Insertion loss Port 1 ↔ Port 3	dB	< 0.3 (703 – 777 MHz) / < 0.5 (777 – 784 MHz) / < 1.3 (784 – 788 MHz), typically 0.3	
Port 2 ↔ Port 3	dB	< 1.3 (791 – 798 MHz) / < 0.5 (798 – 802 MHz) / < 0.4 (802 – 960 MHz), typically 0.4	
Isolation	dB	> 40	
VSWR		< 1.25	
Impedance	Ω	50	
Input power Band 1 / Band 2	W	< 200 / < 200	
Intermodulation products	dBc	< -160 (3 rd order; with 2 x 20 W)	
Temperature range	°C °F	-40 ... +60 -40 ... +140	
Connectors		4.3-10 female	
Application		Indoor or outdoor (IP 66)	
DC/AISG transparency Port 1 ↔ Port 3	mA	Unit 1 By-pass (max. 2500)	Unit 2 Stop
Port 2 ↔ Port 3	mA	Stop	By-pass (max. 2500)
Lightning protection	kA	3, 10/350 μs pulse	
Mounting	mm in	Wall mounting: With 4 screws (max. 8 0.315 diameter) / Mast mounting: With additional clamp set	
Weight	kg lb	4.6 10.1	
Dimensions (w x h x d)	mm in	258 x 301 x 178 10.2 x 11.9 x 7.0 (without connectors, without mounting brackets)	
Packing size	mm in	477 x 334 x 265 18.8 x 13.1 x 10.4	

Accessories (order separately)

Product No.		Clamp set suitable for mast diameter of
734360	mm in	34–60 1.34–2.36
734364	mm in	120–140 4.72–5.51
734365	mm in	45–125 1.77–4.92

Product No.	Description
78210484	50-Ohm load
78211000	DC stop

Typical Attenuation Curves

Diagram I

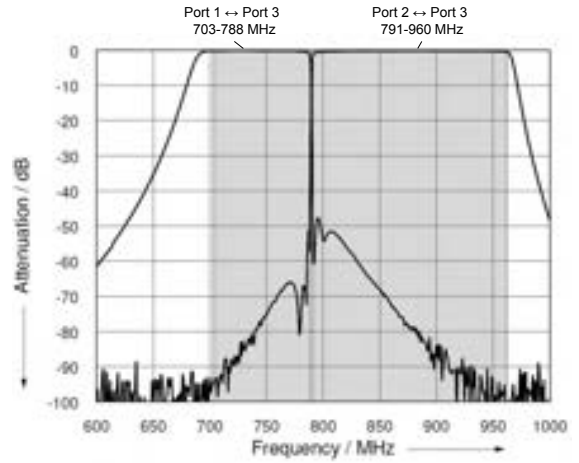
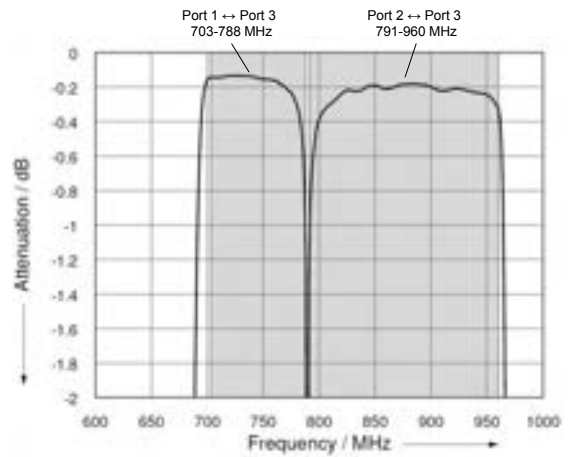
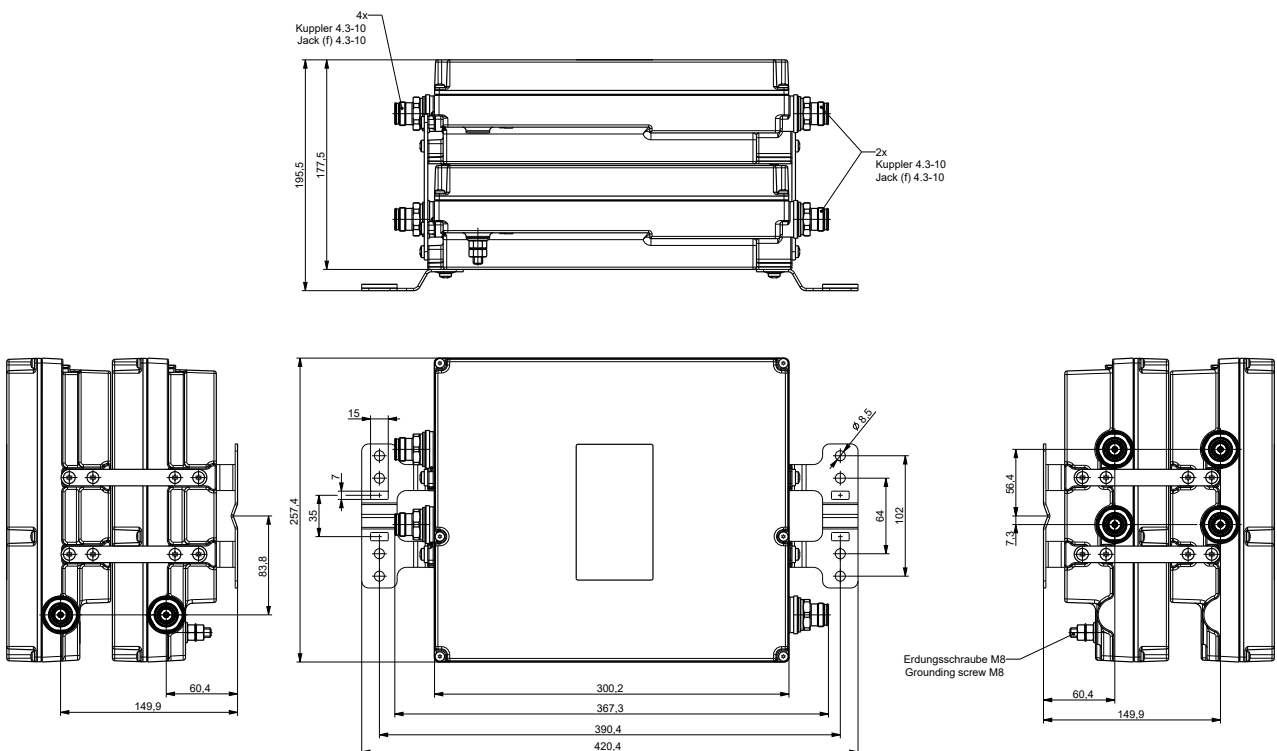
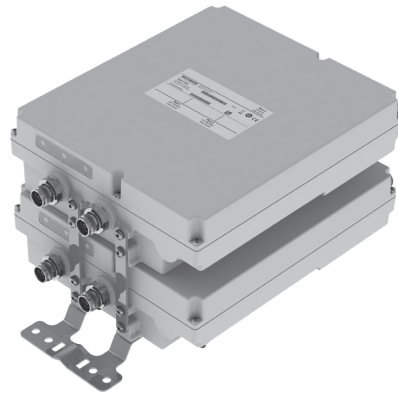


Diagram II



Dimensions in mm



AUTO-
SENSE

Double Unit

Dual-Band Combiner

78211478, 78211478V01

703–788 MHz

791–960 MHz

- Can be used as a combiner near the BTS or in a reciprocal function near the antenna
- Very low insertion loss
- Enables feeder sharing
- Designed for co-siting purposes
- Integrated Auto-Sense technology for automatic DC / AISG detection and bypass functionality
- Suitable for indoor or outdoor applications
- Wall or mast mounting
- Built-in lightning protection



ericsson.com/antenna-system

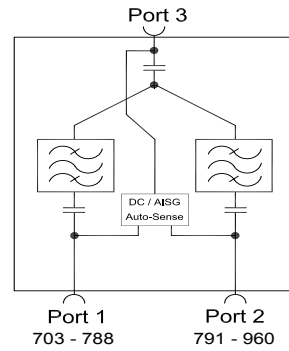


Scan or [click](#)

Priority table for 78211478V01 with Priority Controlled Function

703–788 MHz	Priority 2 (lowest)
791–960 MHz	Priority 1 (highest)

For more information see Auto-Sense quick guide later in this datasheet.



Product No. DC/AISG transparency 1. First In - First Out Function 2. Priority Controlled Function		78211478 78211478V01 Double Unit
Pass band Band 1 Band 2	MHz MHz	703 – 788 791 – 960
Insertion loss Port 1 ↔ Port 3 Port 2 ↔ Port 3	dB dB	< 0.3 (703 – 777 MHz) / < 0.5 (777 – 784 MHz) / < 1.3 (784 – 788 MHz), typically 0.3 < 1.3 (791 – 798 MHz) / < 0.5 (798 – 802 MHz) / < 0.4 (802 – 960 MHz), typically 0.4
Isolation	dB	> 40
VSWR		< 1.25
Impedance	Ω	50
Input power Band 1 / Band 2	W	< 200 / < 200
Intermodulation products	dBc	< -160 (3 rd order; with 2 x 20 W)
Temperature range	°C °F	-40 ... +60 -40 ... +140
Connectors		4.3-10 female
Application		Indoor or outdoor (IP 66)
DC/AISG transparency Port 1 ↔ Port3 Port 2 ↔ Port3	mA mA	Auto-Sense (max. 2000) Auto-Sense (max. 2000)
Lightning protection	kA	3, 10/350 μs pulse
Mounting	mm in	Wall mounting: With 4 screws (max. 8 0.315 diameter) Mast mounting: With additional clamp set
Weight	kg lb	12.2 26.9
Dimensions	mm in	258 x 301 x 178 10.2 x 11.9 x 7.0 (without connectors, without mounting brackets)
Packing size	mm in	477 x 334 x 265 18.8 x 13.1 x 10.4

Accessories (order separately)

Product No.		Clamp set suitable for most diameter of
734360	mm in	34–60 1.34–2.36
734364	mm in	120–140 4.72–5.51
734365	mm in	45–125 1.77–4.92

Product No.	Description
78210484	50-Ohm load
78211000	DC stop

Typical Attenuation Curves

Diagram I

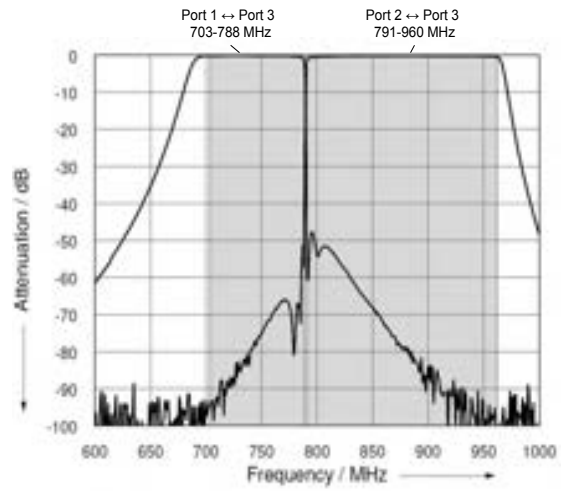
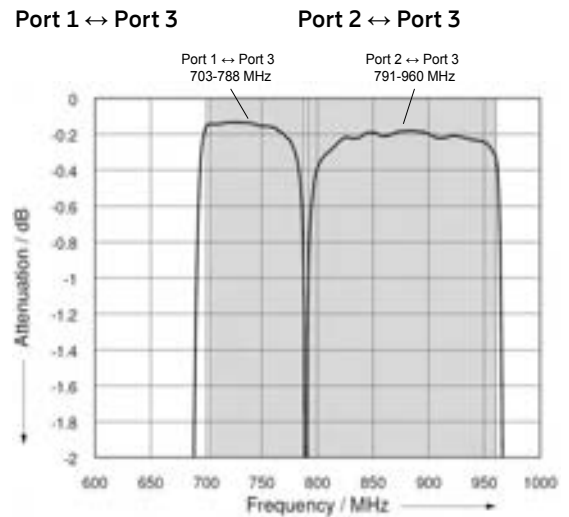
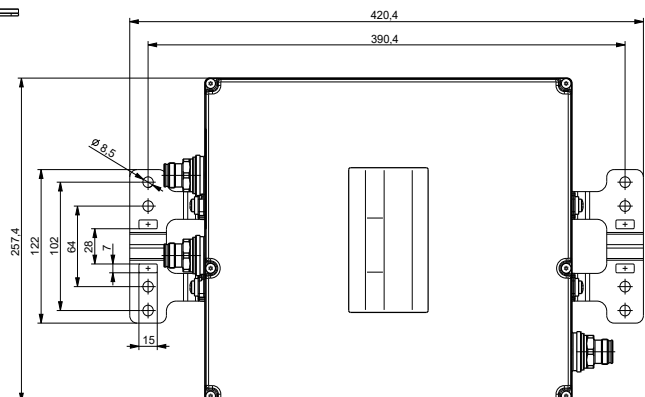
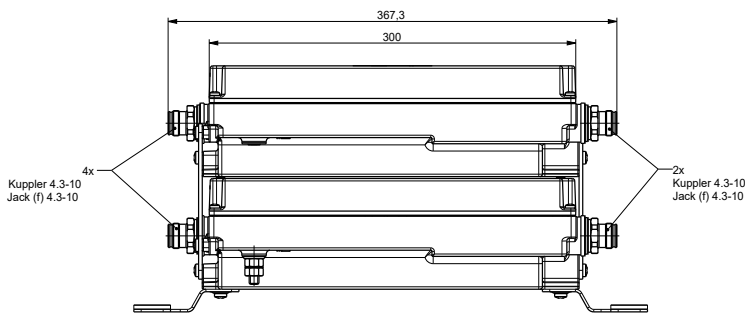
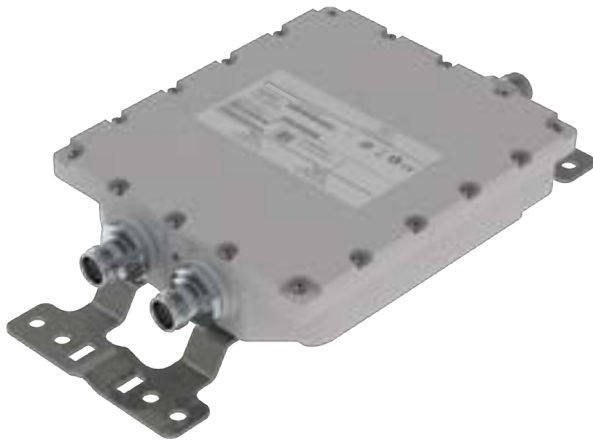


Diagram II



Dimensions in mm





Single Unit



Double Unit

Dual-Band Combiner

78210970V43, 78210971V43, 78210972V43

78210973V43, 78210974V43, 78210975V43

790–862 MHz

880–960 MHz

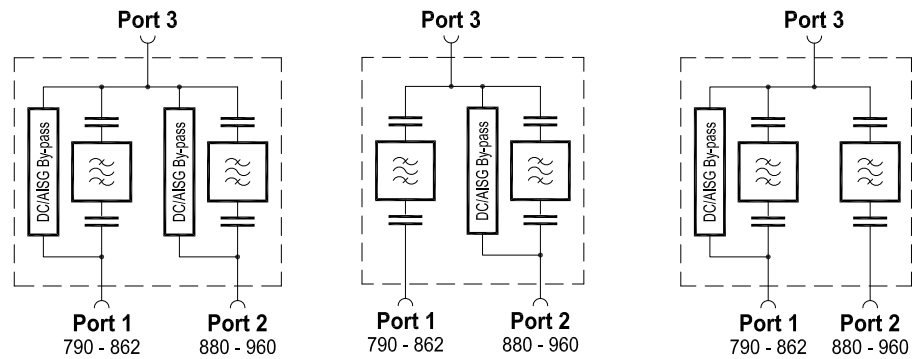
- Designed for co-siting purposes
- Enables feeder sharing
- Can be used as a combiner near the BTS or in a reciprocal function near the antenna
- Suitable for indoor or outdoor applications
- Wall or mast mounting
- Available as a single unit, or for XPol antennas as a double unit
- Built-in lightning protection
- External DC stop available as an accessory



ericsson.com/antenna-system



Scan or [click](#)



Product No.	78210970V43 Single Unit	78210972V43 Single Unit	78210974V43 Single Unit
	78210971V43 Double Unit	78210973V43 Double Unit	78210975V43 Double Unit
Pass band Band 1 Band 2	790 – 862 MHz 880 – 960 MHz		
Insertion loss Port 1 ↔ Port 3 Port 2 ↔ Port 3	< 0.4 dB, typically 0.2 dB (790 – 862 MHz) < 0.4 dB, typically 0.2 dB (880 – 960 MHz)		
Isolation Port 1 ↔ Port 2	> 50 dB (790 – 862 MHz / 880 – 960 MHz)		
VSWR	< 1.25 (790 – 862 / 880 – 960 MHz)		
Impedance	50 Ω		
Input power Band 1 / Band 2	< 200 W / < 200 W		
Intermodulation products	< -160 dBc (3 rd order; with 2 x 20 W)		
Temperature range	-40 ... +60 °C		
Connectors	4.3-10 female (long neck)		
Application	Indoor or outdoor (IP 66)		
DC/AISG transparency Port 1 ↔ Port 3 Port 2 ↔ Port 3	By-pass (max. 2500 mA) By-pass (max. 2500 mA)	Stop By-pass (max. 2500 mA)	By-pass (max. 2500 mA) Stop
Lightning protection	3 kA, 10/350 μs pulse		
Mounting	Wall mounting: With 4 screws (max. 8 mm diameter) / Mast mounting: With additional clamp set		
Weight	Single Unit: 2.6 kg / Double Unit: 5.1 kg		
Packing size	Single Unit: 392 x 272 x 139 mm / Double Unit: 392 x 272 x 189 mm		
Dimensions (w x h x d)	Single Unit: 177.4 x 52.35 x 209.4 mm / Double Unit: 177.4 x 108.35 x 209.4 mm (without connectors, without mounting brackets)		

Accessories (order separately)

Product No.		Clamp set suitable for mast diameter of
734360	mm in	34–60 1.34–2.36
734364	mm in	120–140 4.72–5.51
734365	mm in	45–125 1.77–4.92

Product No.	Description
78210484	50-Ohm load
78211000	DC stop

Typical Attenuation Curves

Diagram I

Port 1 ↔ Port 3

Port 2 ↔ Port 3

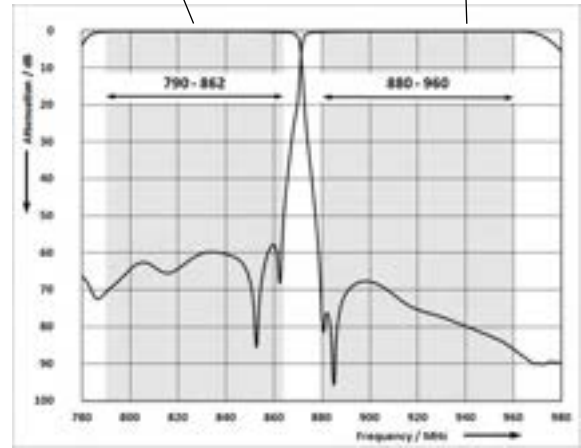
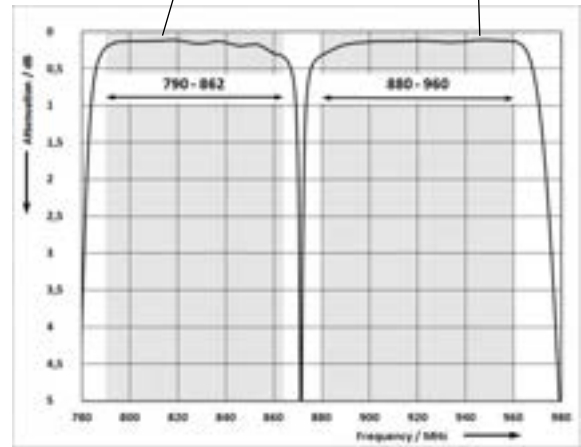


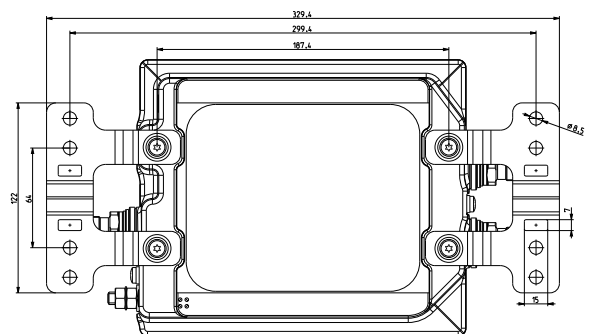
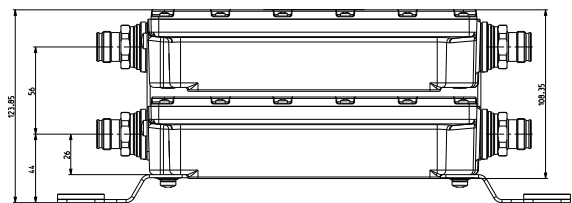
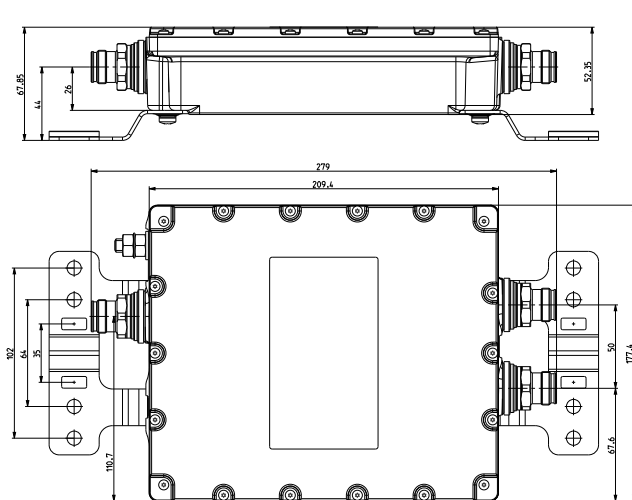
Diagram II

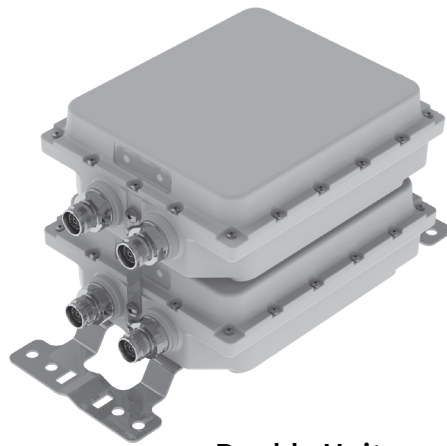
Port 1 ↔ Port 3

Port 2 ↔ Port 3



Dimensions in mm



AUTO-
SENSE

Double Unit

Dual-Band Combiner

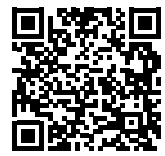
78210978V43, 78210978V44

790–862 MHz
880–960 MHz

- Can be used as a combiner near the BTS or in a reciprocal function near the antenna
- Very low insertion loss
- Enables feeder sharing
- Designed for co-siting purposes
- Integrated Auto-Sense technology for automatic DC / AISG detection and bypass functionality
- Suitable for indoor and outdoor applications
- Wall or mast mounting
- Built-in lightning protection



ericsson.com/antenna-system

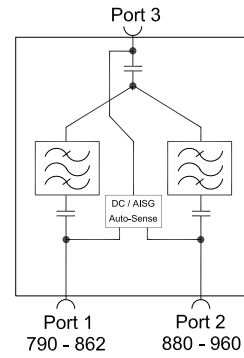


Scan or [click](#)

Priority table for 78210628V44 with Priority Controlled Function

790—862 MHz	Priority 1 (highest)
880—960 MHz	Priority 2 (lowest)

For more information see Auto-Sense quick guide later in this datasheet.



Product No. DC/AISG transparency 1. First In - First Out Function 2. Priority Controlled Function		78210978V43 78210978V44 Double Unit
Pass band Band 1 Band 2	MHz MHz	790 – 862 880 – 960
Insertion loss Port 1 ↔ Port 3 Port 2 ↔ Port 3	dB dB	< 0.4 (790 – 862 MHz) < 0.4 (880 – 960 MHz)
Isolation Port 1 ↔ Port 2	dB	> 50
VSWR		< 1.25
Impedance	Ω	50
Input power Band 1 / Band 2	W	< 300
Intermodulation products	dBc	< -160 (3 rd order; with 2 x 20 W)
Temperature range	°C °F	-40 ... +60 -40 ... +140
Connectors		4.3-10 female
Application		Indoor or outdoor (IP 66)
DC/AISG transparency Port 1 ↔ Port 3 Port 2 ↔ Port 3	mA mA	Auto-Sense (max. 2000) Auto-Sense (max. 2000)
Lightning protection	kA	3, 10/350 μs pulse
Mounting	mm in	Wall mounting: With 4 screws (max. 8 0.315 diameter) Mast mounting: With additional clamp set
Weight	kg lb	5.8 12.7
Dimensions (w x h x d)	mm in	177 x 146 x 209 7.0 x 5.7 x 8.2 (without connectors, without mounting brackets)
Packing size	mm in	392 x 272 x 240 15.4 x 10.7 x 9.5

Accessories (order separately)

Product No.		Clamp set suitable for mast diameter of
734360	mm in	34–60 1.34–2.36
734364	mm in	120–140 4.72–5.51
734365	mm in	45–125 1.77–4.92

Product No.	Description
78210484	50-Ohm load

Typical Attenuation Curves

Diagram I

Port 1 ↔ Port 3

Port 2 ↔ Port 3

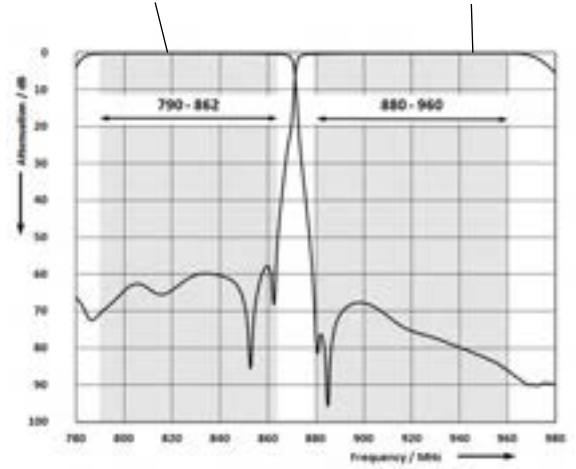
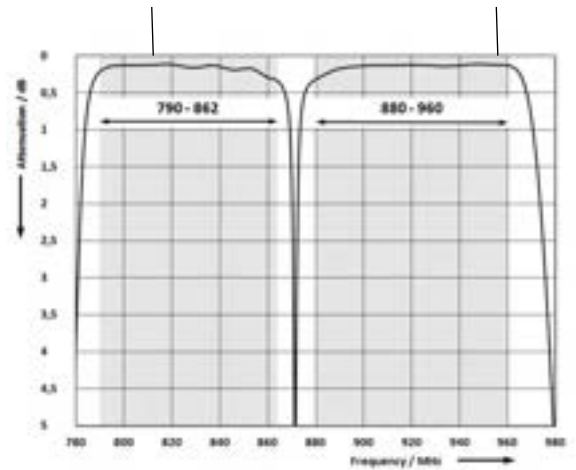


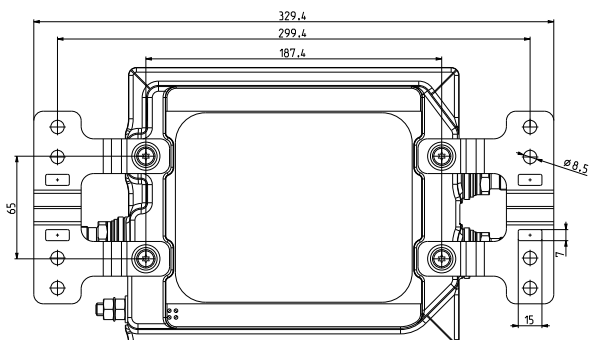
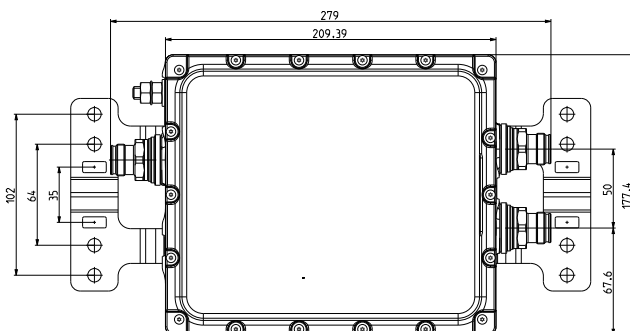
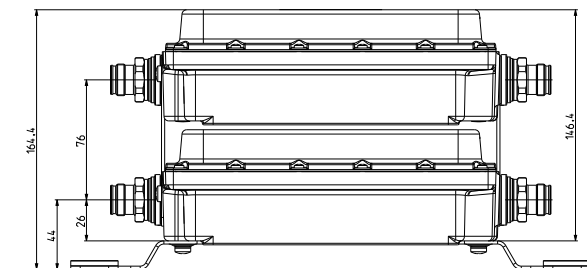
Diagram II

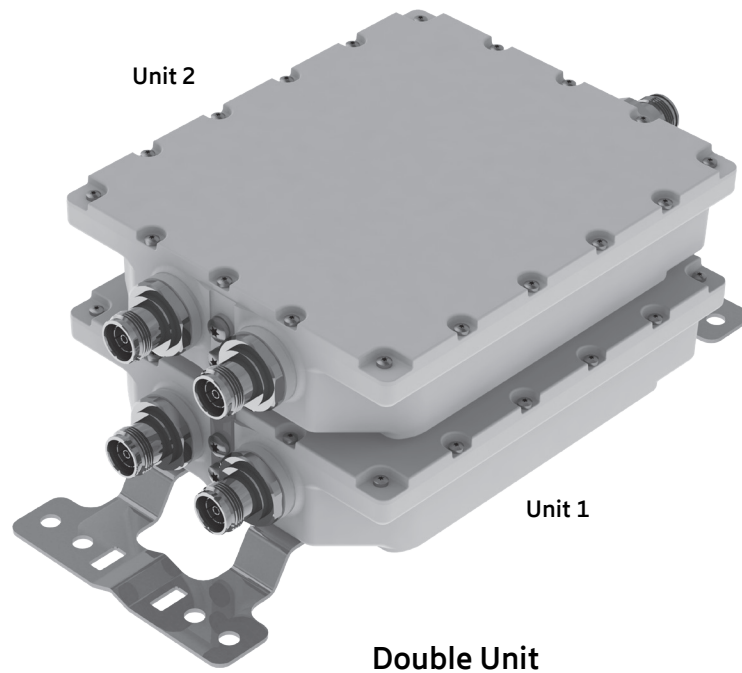
Port 1 ↔ Port 3

Port 2 ↔ Port 3



Dimensions in mm





Dual-Band Combiner

78210979V43

790–862 MHz
880–960 MHz

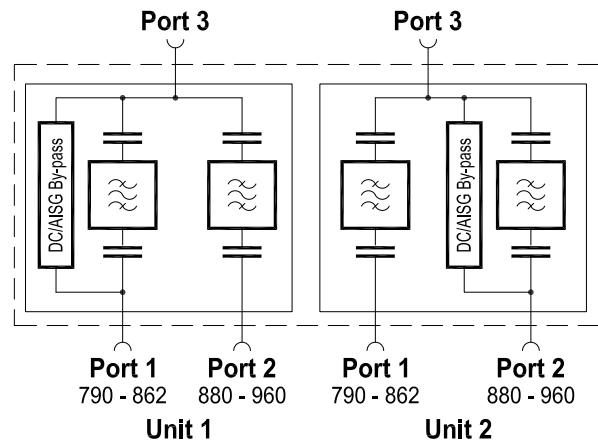
- Can be used as a combiner near the BTS or in a reciprocal function near the antenna
- Very low insertion loss
- Enables feeder sharing
- Designed for co-siting purposes
- Suitable for indoor and outdoor applications
- Wall or mast mounting
- Built-in lightning protection
- External DC stop available as an accessory



ericsson.com/antenna-system



Scan or [click](#)



Product No.		78210979V43 Double Unit	
Pass band			
Band 1	MHz	790 – 862	
Band 2	MHz	880 – 960	
Insertion loss			
Port 1 ↔ Port 3	dB	< 0.4, typically 0.2 (790 – 862 MHz)	
Port 2 ↔ Port 3	dB	< 0.4, typically 0.2 (880 – 960 MHz)	
Isolation			
Port 1 ↔ Port 2	dB	> 50 (790 – 862 MHz / 880 – 960 MHz)	
VSWR		< 1.25 (790 – 862 / 880 – 960 MHz)	
Impedance	Ω	50	
Input power			
Band 1 / Band 2	W	< 300	
Intermodulation products	dBc	< -160 (3 rd order; with 2 x 20 W)	
Temperature range	°C °F	-40 ... +60 -40 ... +140	
Connectors		4.3-10 female	
Application		Indoor or outdoor (IP 66)	
DC/AISG transparency			
Port 1 ↔ Port 3	mA	Unit 1 By-pass (max. 2500)	Unit 2 Stop
Port 2 ↔ Port 3	mA	Stop	By-pass (max. 2500)
Lightning protection	kA	3, 10/350 μs pulse	
Mounting		Wall mounting: With 4 screws (max. 8 mm diameter) Mast mounting: With additional clamp set	
Weight	kg lb	5.1 11.2	
Dimensions (w x h x d)	mm in	177.4 x 209.4 x 108.35 7.0 x 8.2 x 4.3 (without connectors, without mounting brackets)	
Packing size	mm in	392 x 272 x 189 15.4 x 10.7 x 7.4	

Accessories (order separately)

Product No.		Clamp set suitable for mast diameter of
734360	mm in	34–60 1.34–2.36
734364	mm in	120–140 4.72–5.51
734365	mm in	45–125 1.77–4.92

Product No.	Description
78210484	50-Ohm load
78211000	DC stop

Typical Attenuation Curves

Diagram I

Port 1 ↔ Port 3 Port 2 ↔ Port 3

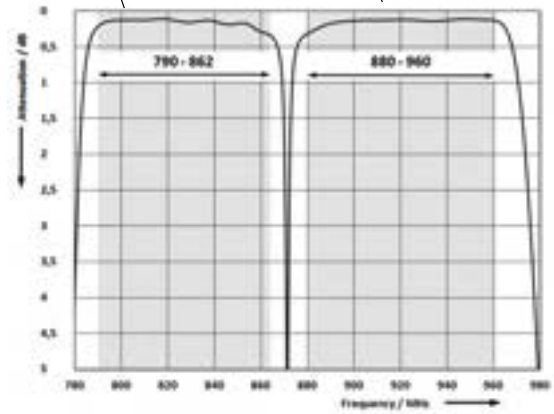
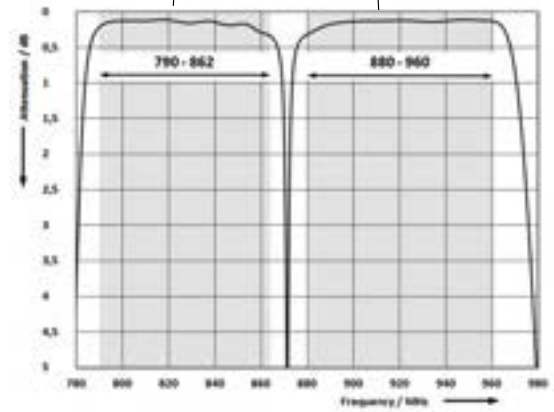
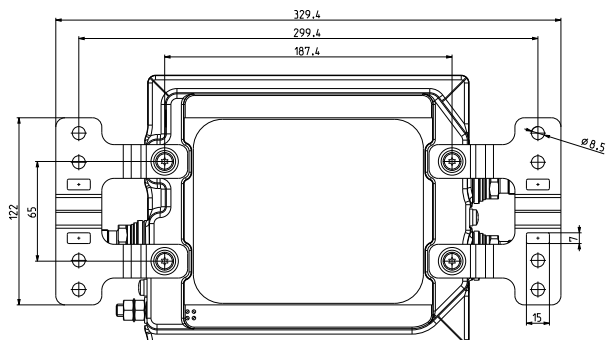
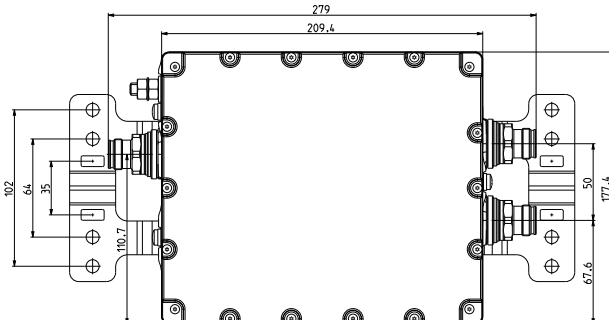
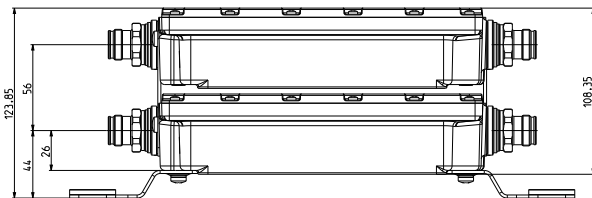
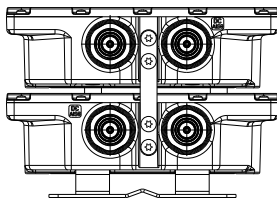


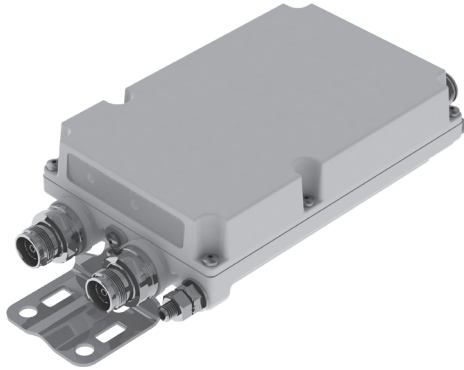
Diagram II

Port 1 ↔ Port 3 Port 2 ↔ Port 3

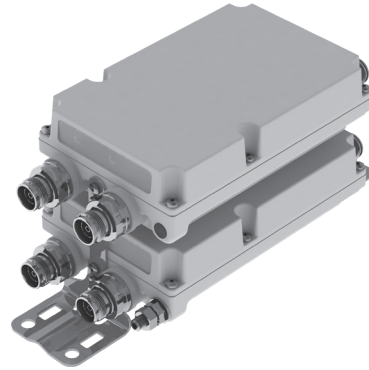


Dimensions in mm





Single Unit



Double Unit

Dual-Band Combiner

78211460, 78211461,
78211462, 78211463

380–960 MHz
1427–3800 MHz

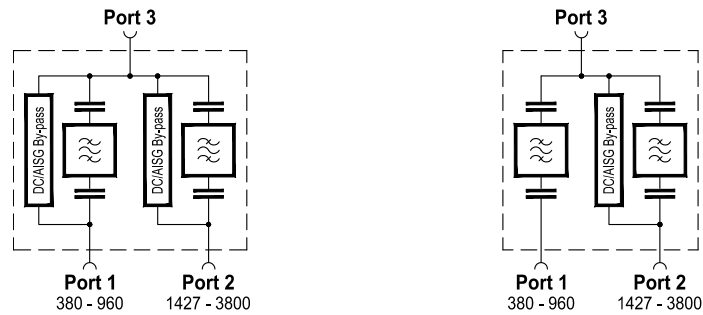
- Can be used as a combiner near the BTS or in a reciprocal function near the antenna
- Very low insertion loss
- Enables feeder sharing
- Designed for co-siting purposes
- Available as a single unit, or for XPol antennas as double unit
- Suitable for indoor and outdoor applications
- Wall or mast mounting
- Built-in lightning protection
- External DC stop available as an accessory



ericsson.com/antenna-system



Scan or [click](#)



Product No.		78211460 Single Unit	78211462 Single Unit
		78211461 Double Unit	78211463 Double Unit
Pass band Band 1 Band 2	MHz MHz	380 – 960 1427 – 3800	
Insertion loss Port 1 ↔ Port 3 Port 2 ↔ Port 3	dB dB	< 0.2 (380 – 960 MHz) < 0.2 (1427 – 3800 MHz)	
Isolation Port 1 ↔ Port 2	dB	> 40	
VSWR		< 1.25	
Impedance	Ω	50	
Input power Band 1 / Band 2	W	< 300 / < 200 (1427 – 2700 MHz); < 100 (2700 – 3800 MHz)	
Intermodulation products	dBc	< -160 (3 rd order; with 2 x 20 W)	
Temperature range	°C °F	-40 ... +60 -40 ... +140	
Connectors		4.3-10 female	
Application		Indoor or outdoor (IP 66)	
DC/AISG transparency Port 1 ↔ Port 3 Port 2 ↔ Port 3	mA mA	By-pass (max. 2500) By-pass (max. 2500)	Stop By-pass (max. 2500)
Lightning protection	kA	3, 10/350 μs pulse	
Mounting	mm in	Wall mounting: With 4 screws (max. 8 0.315 diameter) / Mast mounting: With additional clamp set	
Weight	kg lb	Single Unit: 1.7 3.7 / Double Unit: 3.4 7.5	
Dimensions (w x h x d)	mm in	Single Unit: 183 x 117 x 55 7.2 x 4.6 x 2.2 Double Unit: 183 x 117 x 115 7.2 x 4.6 x 4.5 (without connectors, without mounting brackets)	
Packing size	mm in	Single Unit: 353 x 181 x 129 13.9 x 7.1 x 5.1 / Double Unit: 353 x 181 x 188 13.9 x 7.1 x 7.4	

Accessories (order separately)

Product No.		Clamp set suitable for mast diameter of
734360	mm in	34–60 1.34–2.36
734364	mm in	120–140 4.72–5.51
734365	mm in	45–125 1.77–4.92

Product No.	Description
78210484	50-Ohm load
78211000	DC stop

Typical Attenuation Curves

Diagram I

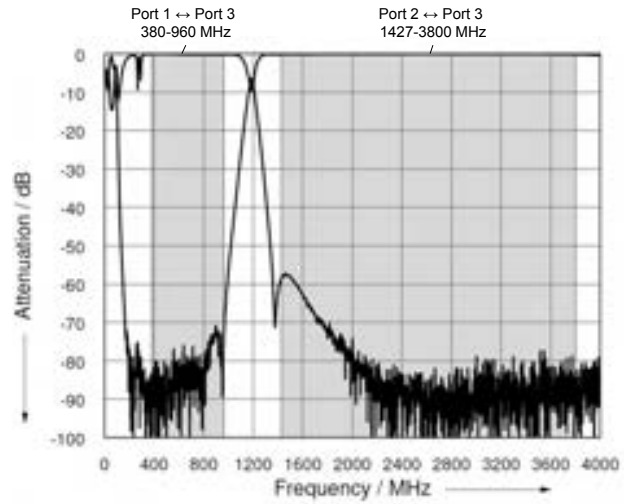
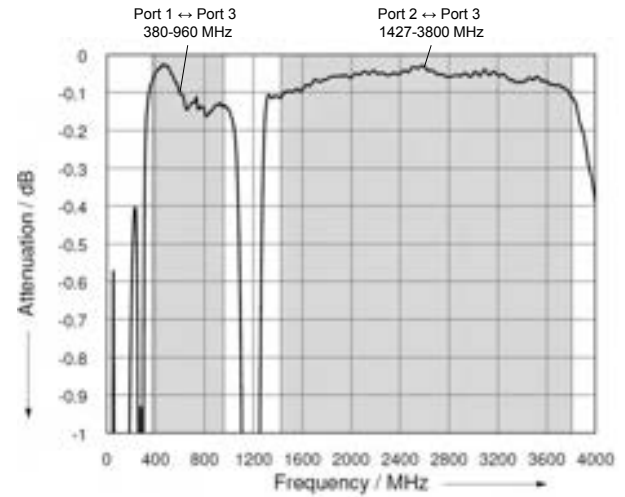
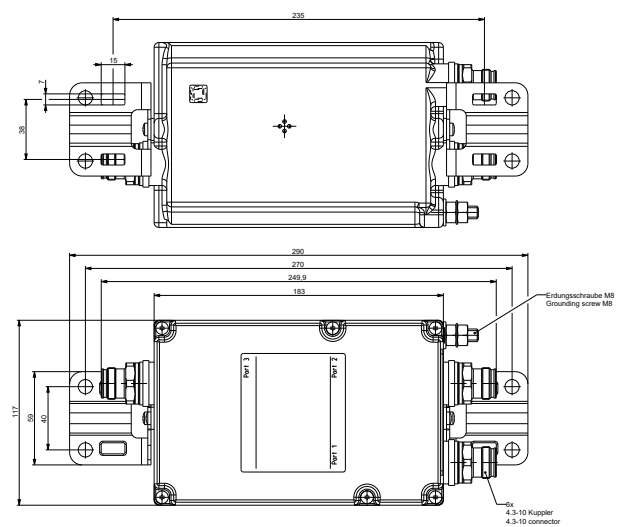
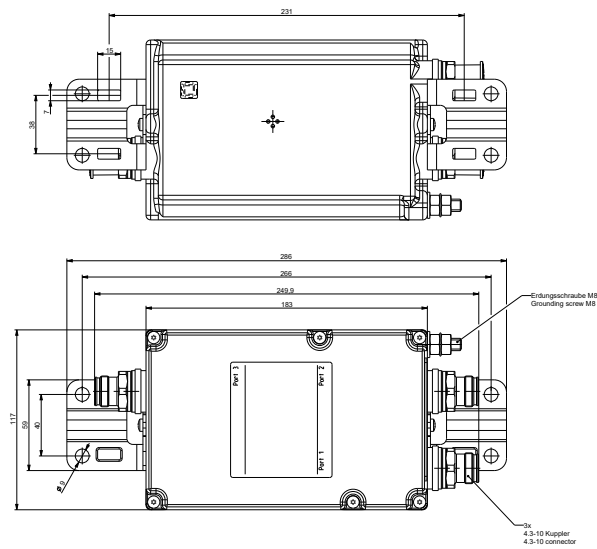
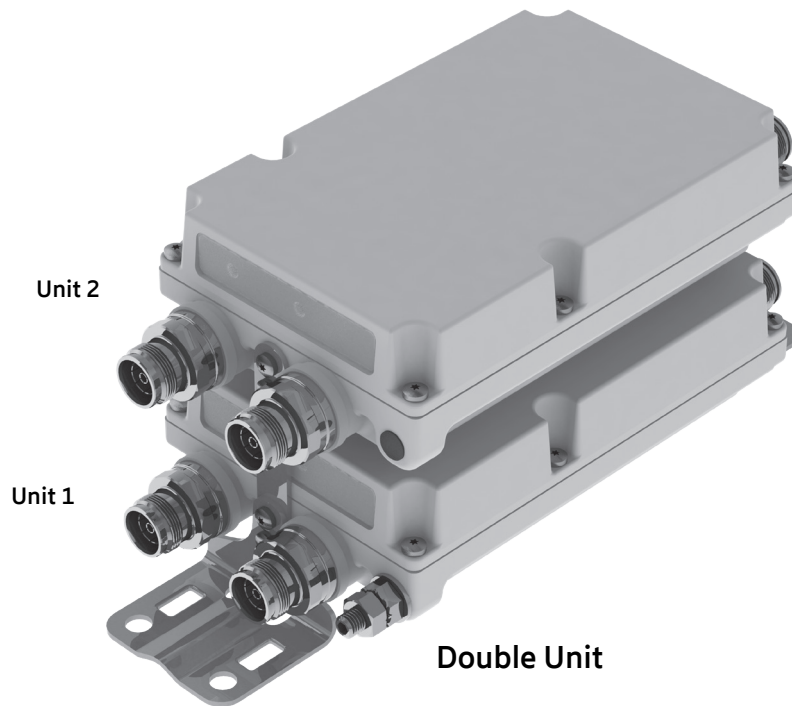


Diagram II



Dimensions in mm





Dual-Band Combiner

78211466

380–960 MHz
1427–3800 MHz

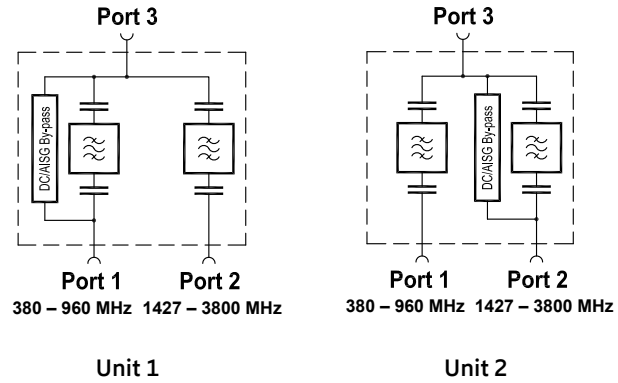
- Can be used as a combiner near the BTS or in a reciprocal function near the antenna
- Very low insertion loss
- Enables feeder sharing
- Designed for co-siting purposes
- Suitable for indoor and outdoor applications
- Wall or mast mounting
- Built-in lightning protection
- External DC stop available as an accessory



ericsson.com/antenna-system



Scan or [click](#)



Product No.		78211466 Double Unit	
Pass band			
Band 1	MHz	380 – 960	
Band 2	MHz	1427 – 3800	
Insertion loss			
Port 1 ↔ Port 3	dB	< 0.2 (380 – 960 MHz)	
Port 2 ↔ Port 3	dB	< 0.2 (1427 – 3800 MHz)	
Isolation	dB	> 40	
VSWR		< 1.25	
Impedance	Ω	50	
Input power			
Band 1 / Band 2	W	< 300 / < 200 (1427 - 2700 MHz); < 100 (2700 - 3800 MHz)	
Intermodulation products	dBc	< -160 (3 rd order; with 2 x 20 W)	
Temperature range	°C °F	-40 ... +60 -40 ... +140	
Connectors		4.3-10 female	
Application		Indoor or outdoor (IP 66)	
DC/AISG transparency			
Port 1 ↔ Port 3	mA	Unit 1	
Port 2 ↔ Port 3	mA	By-pass (max. 2500)	
		Stop	
		Unit 2	
		Stop	
		By-pass (max. 2500)	
Lightning protection	kA	3, 10/350 μs pulse	
Mounting	mm in	Wall mounting: With 4 screws (max. 8 0.315 diameter) / Mast mounting: With additional clamp set	
Weight	kg lb	3.4 7.5	
Dimensions (w x h x d)	mm in	183 x 117 x 115 7.2 x 4.6 x 4.5 (without connectors, without mounting brackets)	
Packing size	mm in	353 x 181 x 188 13.9 x 7.1 x 7.4	

Accessories (order separately)

Product No.		Clamp set suitable for mast diameter of
734360	mm in	34–60 1.34–2.36
734364	mm in	120–140 4.72–5.51
734365	mm in	45–125 1.77–4.92

Product No.	Description
78210484	50-Ohm load
78211000	DC stop

Typical Attenuation Curves

Diagram I

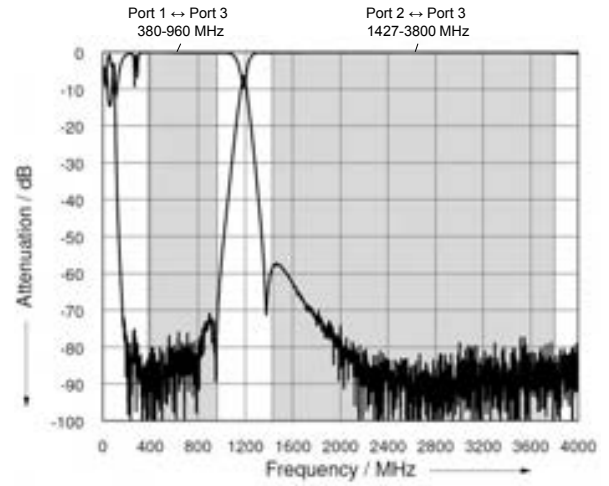
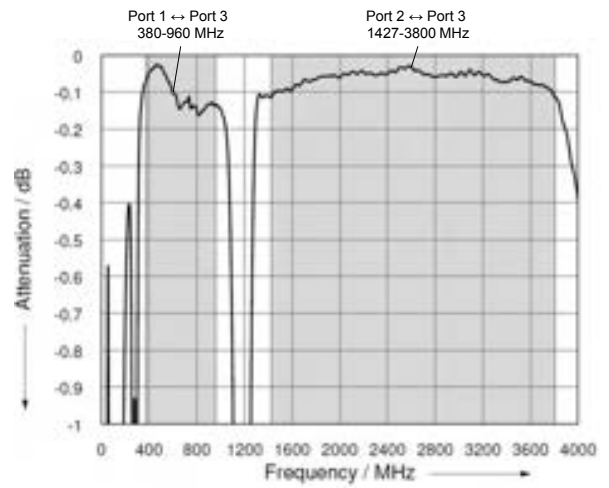
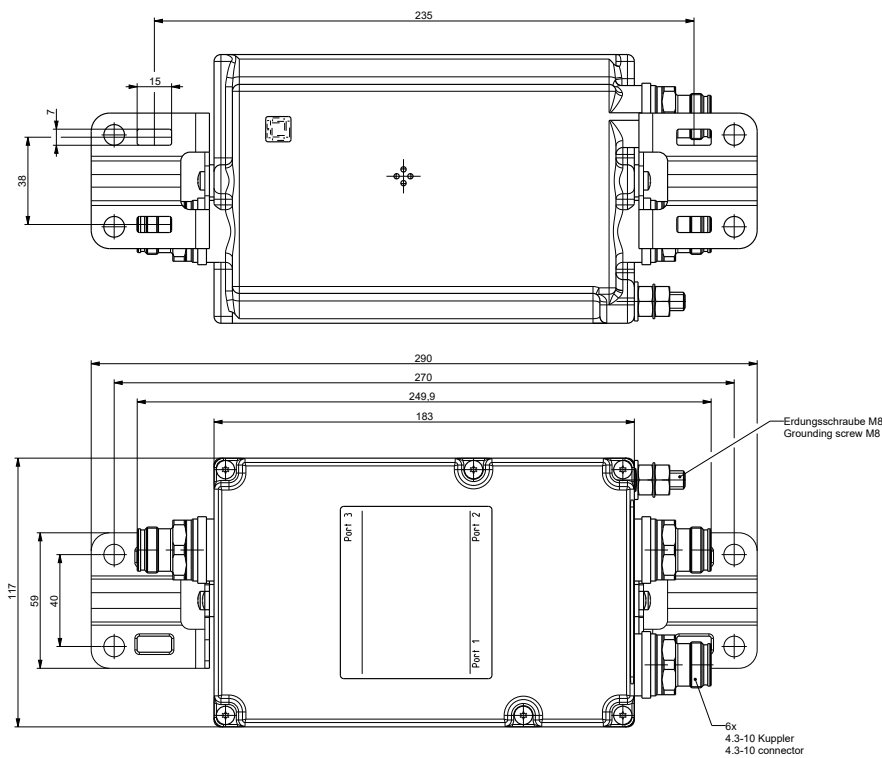
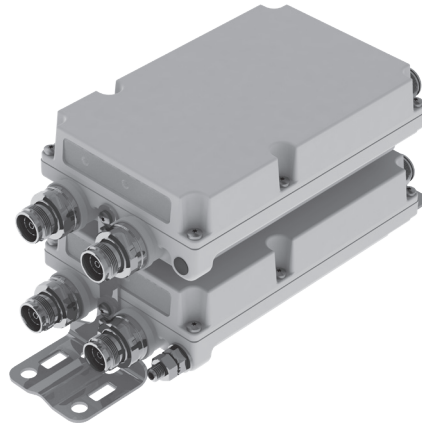


Diagram II



Dimensions in mm



AUTO-
SENSE

Double Unit

Dual-Band Combiner

78211468, 78211468V01

380–960 MHz
1427–3800 MHz

- Can be used as a combiner near the BTS or in a reciprocal function near the antenna
- Very low insertion loss
- Enables feeder sharing
- Designed for co-siting purposes
- Integrated Auto-Sense technology for automatic DC / AISG detection and bypass functionality
- Suitable for indoor and outdoor applications
- Wall or mast mounting
- Built-in lightning protection



ericsson.com/antenna-system

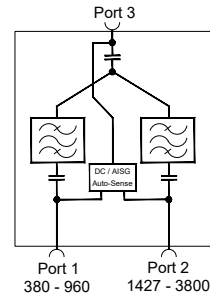


Scan or [click](#)

Priority table for 78211468V01 with Priority Controlled Function

380–960 MHz	Priority 2 (lowest)
1427–3800 MHz	Priority 1 (highest)

For more information see Auto-Sense quick guide



Product No. DC/AISG transparency 1. First In - First Out Function 2. Priority Controlled Function		78211468 78211468V01 Double Unit
Pass band Band 1 Band 2	MHz MHz	380 – 960 1427 – 3800
Insertion loss Port 1 ↔ Port 3 Port 2 ↔ Port 3	dB dB	< 0.2 (380 – 960 MHz) < 0.2 (1427 – 3800 MHz)
Isolation Port 1 ↔ Port 2	dB	> 40
VSWR		< 1.25
Impedance	Ω	50
Input power Band 1 / Band 2	W	< 300 / < 200 (1427 – 2700 MHz); < 100 (2700 – 3800 MHz)
Intermodulation products	dBc	< -160 (3 rd order; with 2 x 20 W)
Temperature range	°C °F	-40 ... +60 -40 ... +140
Connectors		4.3-10 female
Application		Indoor or outdoor (IP 66)
DC/AISG transparency Port 1 ↔ Port 3 Port 2 ↔ Port 3	mA mA	Auto-Sense (max. 2000) Auto-Sense (max. 2000)
Lightning protection	kA	3, 10/350 μs pulse
Wind load (at Rated Wind Speed 150 km/h 93 mph)	N lbf	frontal: 42 9 lateral: 31 7
Mounting	mm in	Wall mounting: With 4 screws (max. 8 0.315 diameter) Mast mounting: With additional clamp set
Weight	kg lb	3.4 7.5
Dimensions (w x h x d)	mm in	183 x 117 x 115 7.2 x 4.6 x 4.5 (without connectors, without mounting brackets)
Packing size	mm in	353 x 181 x 188 13.9 x 7.1 x 7.4

Accessories (order separately)

Product No.		Clamp set suitable for most diameter of
734360	mm in	34–60 1.34–2.36
734364	mm in	120–140 4.72–5.51
734365	mm in	45–125 1.77–4.92

Product No.	Description
78210484	50-Ohm load
78211000	DC stop

Typical Attenuation Curves

Diagram I

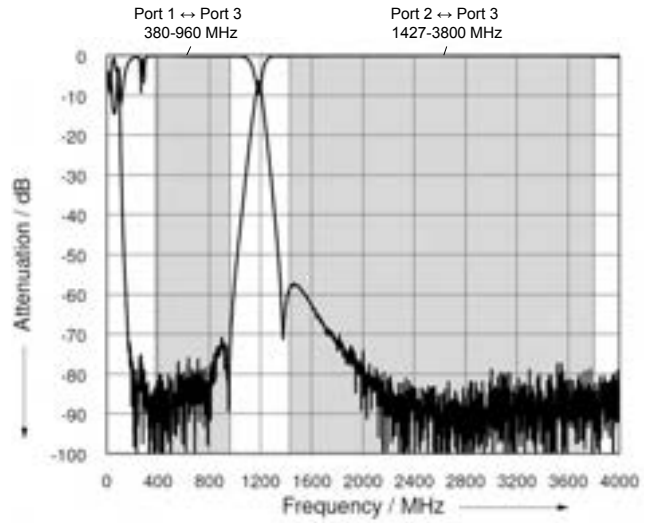
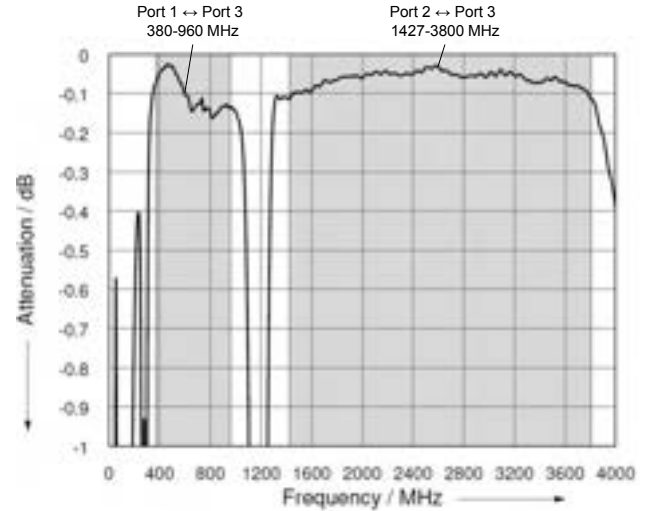
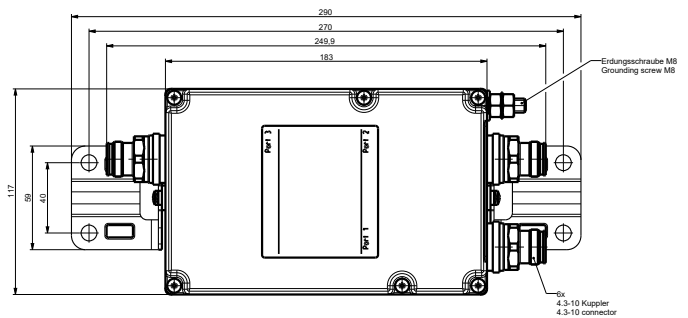
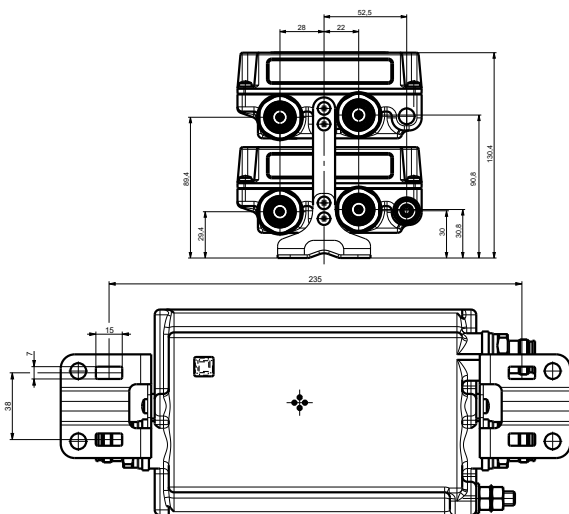
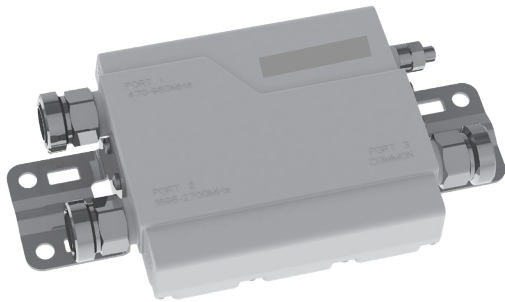


Diagram II

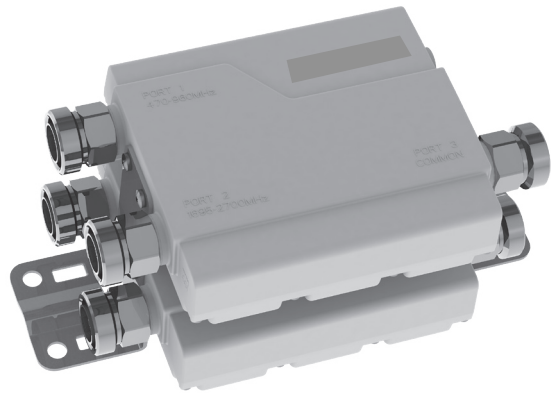


Dimensions in mm





Single Unit



Double Unit

Dual-Band Combiner

78210660, 78210661,
78210662, 78210663

470–960 MHz
1695–2700 MHz

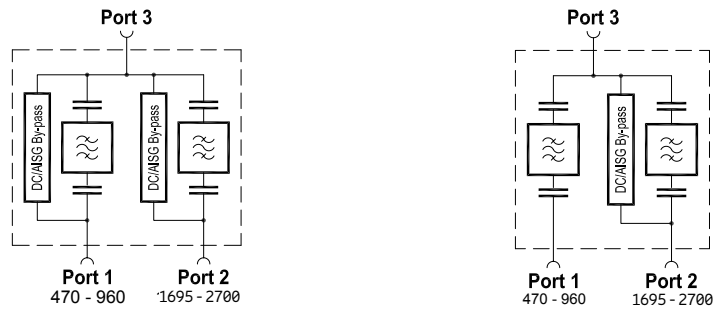
- Enables feeder sharing
- Can be used as a combiner near the BTS or in a reciprocal function near the antenna
- Suitable for indoor or outdoor applications
- Wall or mast mounting
- Available as a single unit, or for XPol antennas as a double unit
- Built-in lightning protection
- External DC stop available as an accessory
- Very low insertion loss



ericsson.com/antenna-system



Scan or [click](#)



Product No.		78210660 Single Unit	78210662 Single Unit
		78210661 Double Unit	78210663 Double Unit
Pass band Band 1 Band 2	MHz MHz	470 – 960 1695 – 2700	
Insertion loss Port 1 ↔ Port 3 Port 2 ↔ Port 3	dB dB	< 0.1 (470 – 960 MHz) < 0.1 (1695 – 2700 MHz)	
Isolation Port 1 ↔ Port 2	dB	> 55 (470 – 960 MHz) / > 65 (1695 – 2700 MHz)	
VSWR		< 1.2 (470 – 960 MHz / 1695 – 2700 MHz)	
Impedance	Ω	50	
Input power Band 1 / Band 2	W	< 650 / < 350	
Intermodulation products	dBc	< -160 (3 rd order; with 2 x 20 W)	
Temperature range	°C °F	-55 ... +60 -67 ... +140	
Connectors		7-16 female (long neck)	
Application		Indoor or outdoor (IP 66)	
DC/AISG transparency Port 1 ↔ Port 3 Port 2 ↔ Port 3	mA mA	By-pass (max. 2500) By-pass (max. 2500)	Stop By-pass (max. 2500)
Lightning protection	kA	3, 10/350 μs pulse	
Mounting		Wall mounting: With 4 screws (max. 8 mm diameter) / Mast mounting: With additional clamp set	
Weight	kg lb	Single Unit: 1.2 2.6 / Double Unit: 2.4 5.3	
Dimensions (w x h x d)	mm in	Single Unit: 126 x 145 x 38 5.0 x 5.7 x 1.5 / Double Unit: 126 x 145 x 93 5.0 x 5.7 x 3.7 (without connectors, without mounting brackets)	
Packing size	mm in	Single Unit: 285 x 157 x 93 11.2 x 6.2 x 3.7 / Double Unit: 285 x 157 x 148 11.2 x 6.2 x 5.8	

Accessories (order separately)

Product No.		Clamp set suitable for most diameter of
734360	mm in	34–60 1.34–2.36
734364	mm in	120–140 4.72–5.51
734365	mm in	45–125 1.77–4.92

Product No.	Description
78210484	50-Ohm load
78211000	DC stop

Typical Attenuation Curves

Diagram I

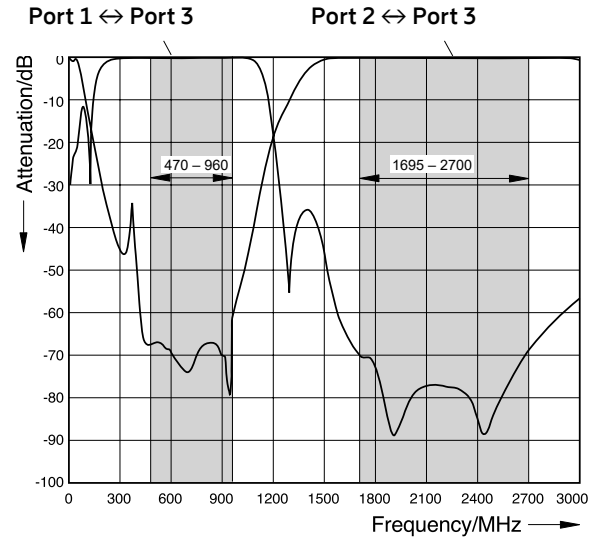
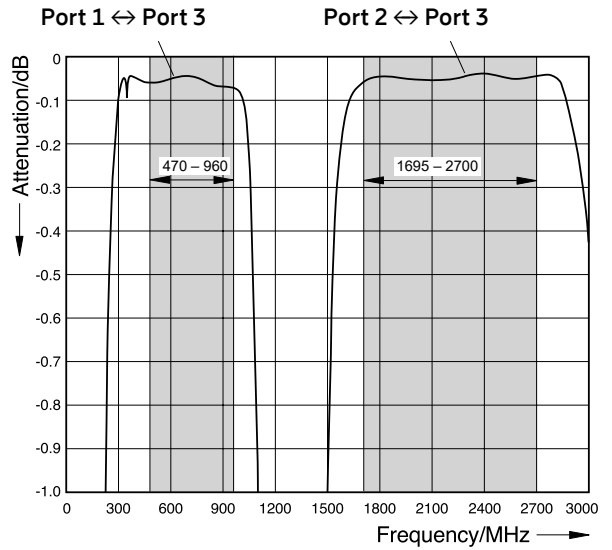
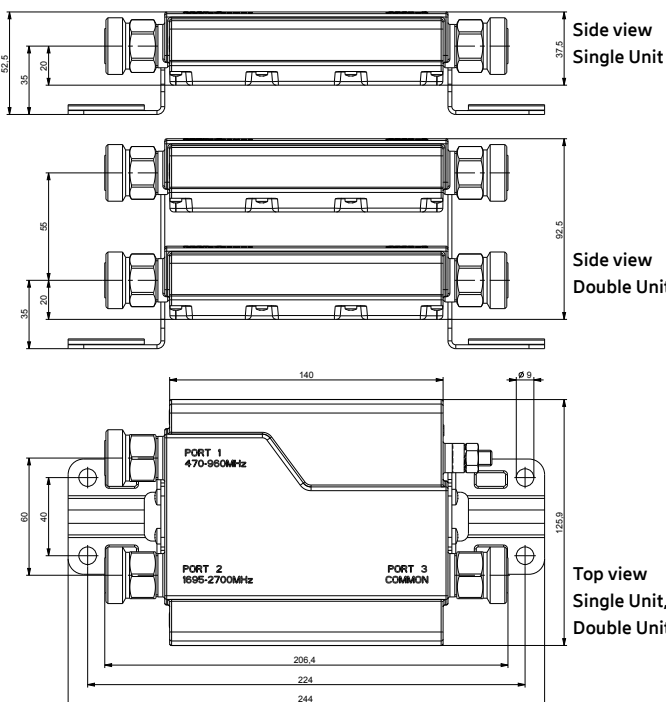
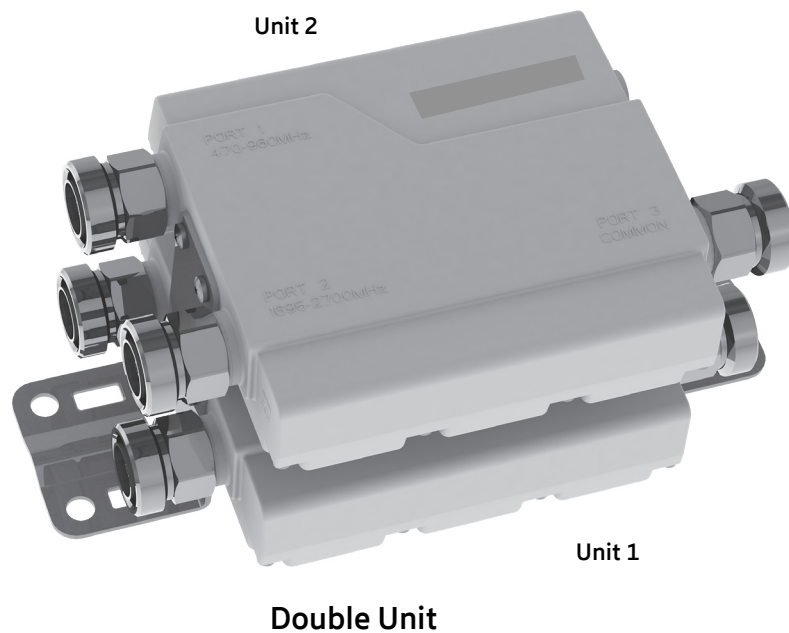


Diagram II



Dimensions in mm





Dual-Band Combiner

78210669

470–960 MHz

1695–2700 MHz

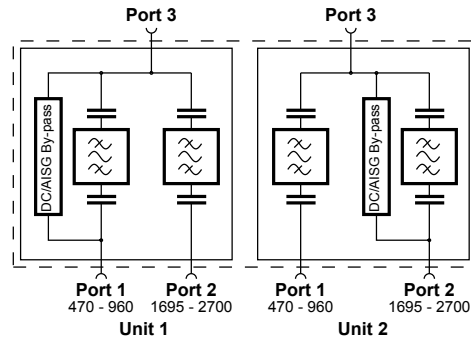
- Designed to support separate DC/AISG supply for a low-band and high-band DTMA via 2 feeder cables (see application)
- Enables feeder sharing
- Can be used as a combiner near the BTS or in a reciprocal function near the antenna
- Suitable for indoor or outdoor applications
- Wall or mast mounting
- Double unit for XPol antennas
- Built-in lightning protection
- Extremely small dimensions and low weight
- Very low insertion loss
- High input power



ericsson.com/antenna-system



Scan or [click](#)



Product No.		78210669 Double Unit	
Pass band			
Band 1	MHz	470 – 960	
Band 2	MHz	1695 – 2700	
Insertion loss			
Port 1 ↔ Port 3	dB	< 0.1 (470 – 960 MHz)	
Port 2 ↔ Port 3	dB	< 0.1 (1695 – 2700 MHz)	
Isolation			
Port 1 ↔ Port 2	dB	> 55 (470 – 960 MHz) / > 65 (1695 – 2700 MHz)	
VSWR (all ports)		< 1.2 (470 – 960 / 1695 – 2700 MHz)	
Impedance	Ω	50	
Input power			
Band 1	W	< 650	
Band 2	W	< 350	
Intermodulation products	dBc	< –160 (3rd order with 2 x 20 W)	
Temperature range	°C °F	–55 ... +60 –67 ... +140	
Connectors		7-16 female (long neck)	
Application		Indoor or outdoor (IP 66)	
DC/AISG transparency		Unit 1	Unit 2
Port 1 ↔ Port 3	mA	By-pass (max. 2500)	Stop
Port 2 ↔ Port 3	mA	Stop	By-pass (max. 2500)
Lightning protection	kA	3, 10/350 μs pulse	
Mounting		Wall mounting: With 4 screws (max. 8 mm diameter) / Mast mounting: With additional clamp set	
Weight	kg lb	2.4 5.3	
Dimensions (w x h x d)	mm in	126 x 145 x 93 5.0 x 5.7 x 3.7 (without connectors, without mounting brackets)	
Packing size	mm in	285 x 157 x 148 11.2 x 6.2 x 5.8	

Accessories (order separately)

Product No.		Clamp set suitable for mast diameter of
734360	mm in	34–60 1.34–2.36
734364	mm in	120–140 4.72–5.51
734365	mm in	45–125 1.77–4.92

Product No.	Description
78410367	50-Ohm load
78210850V01	DC stop

Typical Attenuation Curves

Diagram I

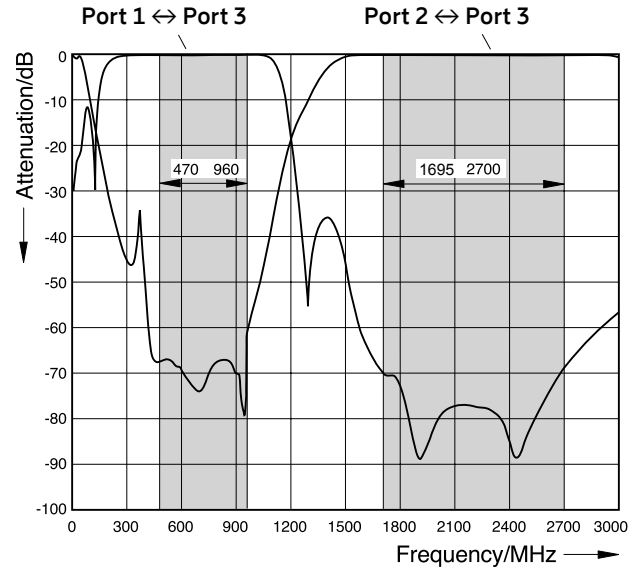
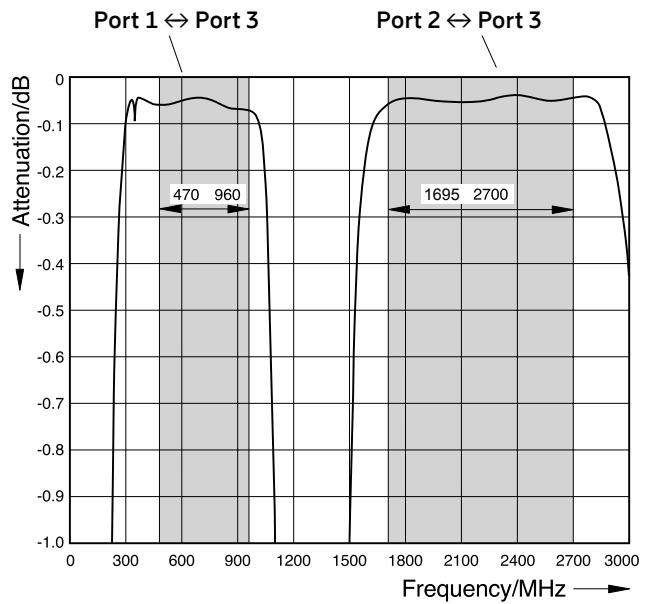
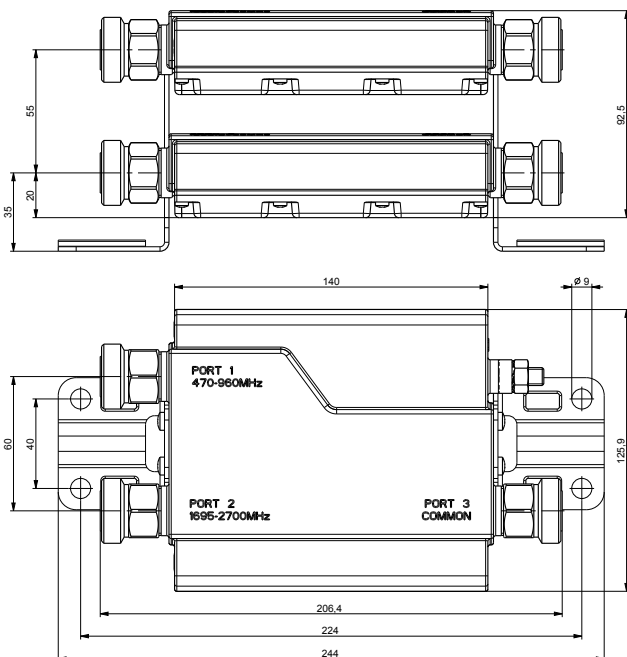


Diagram II



Dimensions in mm





Single Unit



Double Unit

Dual-Band Combiner

78210660V43, 78210661V43,
78210662V43, 78210663V43

470–960 MHz
1695–2700 MHz

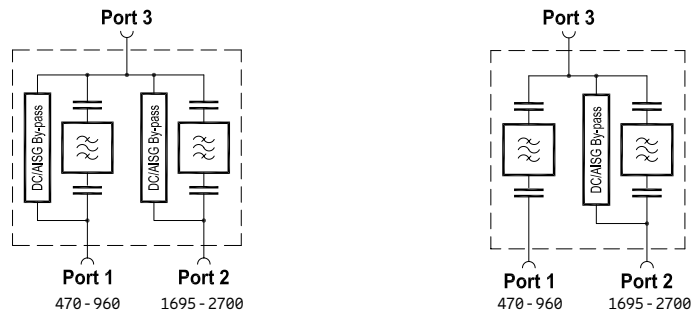
- Can be used as a combiner near the BTS or in a reciprocal function near the antenna
- Very low insertion loss
- Enables feeder sharing
- Available as a single unit, or for XPol antennas as double unit
- Suitable for indoor or outdoor applications
- Wall or mast mounting
- Built-in lightning protection
- External DC stop available as an accessory



ericsson.com/antenna-system



Scan or [click](#)



Product No.		78210660V43 Single Unit	78210662V43 Single Unit
		78210661V43 Double Unit	78210663V43 Double Unit
Pass band Band 1 Band 2	MHz MHz	470 – 960 1695 – 2700	
Insertion loss Port 1 ↔ Port 3 Port 2 ↔ Port 3	dB dB	< 0.1 (470 – 960 MHz) < 0.1 (1695 – 2700 MHz)	
Isolation Port 1 ↔ Port 2	dB	> 55 (470 – 960 MHz) / > 65 (1695 – 2700 MHz)	
VSWR		< 1.2 (470 – 960 MHz / 1695 – 2700 MHz)	
Impedance	Ω	50	
Input power Band 1 / Band 2	W	< 300 / < 300	
Intermodulation products	dBc	< -160 (3 rd order; with 2 x 20 W)	
Temperature range	°C °F	-55 ... +60 -67 ... +140	
Connectors		4.3-10 female	
Application		Indoor or outdoor (IP 66)	
DC/AISG transparency Port 1 ↔ Port 3 Port 2 ↔ Port 3	mA mA	By-pass (max. 2500) By-pass (max. 2500)	Stop By-pass (max. 2500)
Lightning protection	kA	3, 10/350 ms pulse	
Mounting		Wall mounting: With 4 screws (max. 8 mm diameter) / Mast mounting: With additional clamp set	
Weight	kg lb	Single Unit: 1.2 2.6 / Double Unit: 2.4 5.3	
Dimensions (w x h x d)	mm in	Single Unit: 126 x 145 x 38 5.0 x 5.7 x 1.5 / Double Unit: 126 x 145 x 93 5.0 x 5.7 x 3.7 (without connectors, without mounting brackets)	
Packing size	mm in	Single Unit: 285 x 157 x 93 11.2 x 6.2 x 3.7 / Double Unit: 285 x 157 x 148 11.2 x 6.2 x 5.8	

Accessories (order separately)

Product No.		Clamp set suitable for mast diameter of
734360	mm in	34–60 1.34–2.36
734364	mm in	120–140 4.72–5.51
734365	mm in	45–125 1.77–4.92

Product No.	Description
78210484	50-Ohm load
78211000	DC stop

Typical Attenuation Curves

Diagram I

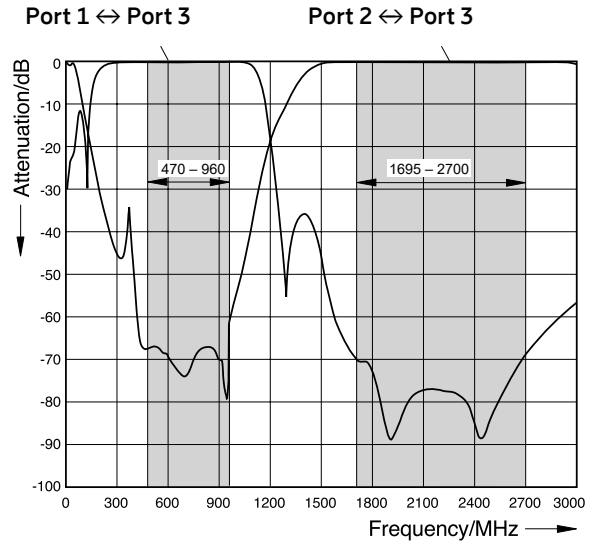
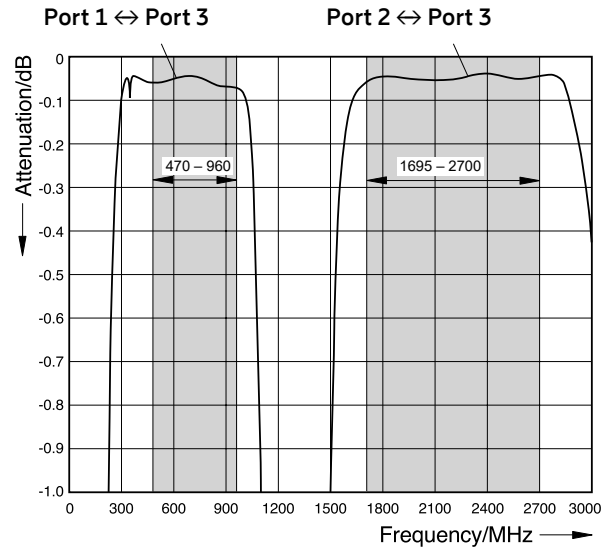
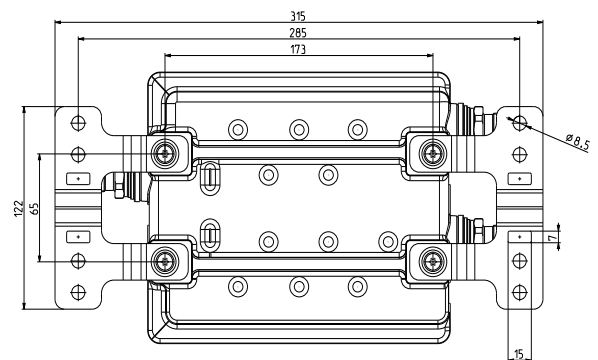
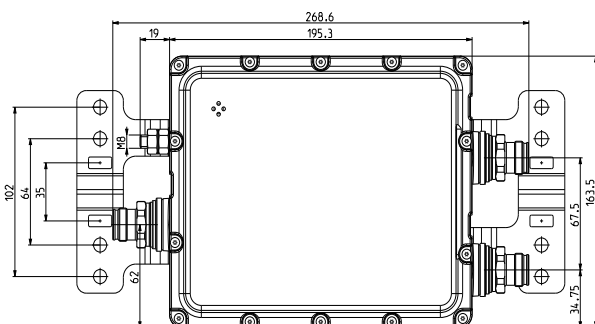
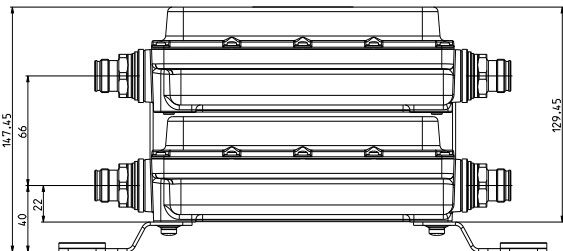
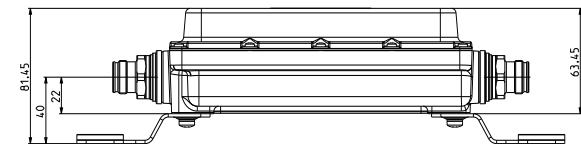
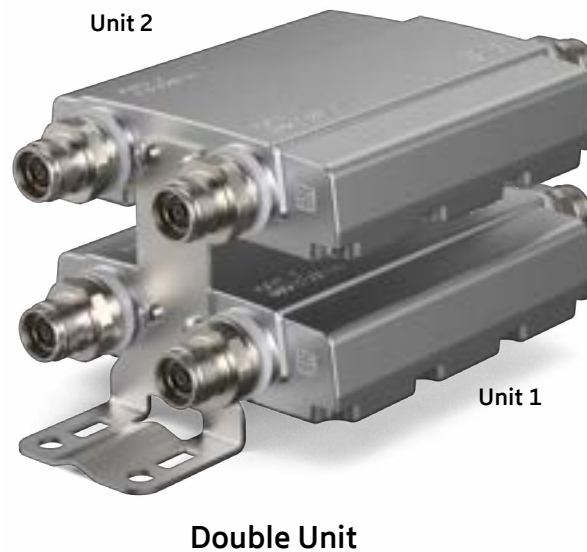


Diagram II



Dimensions in mm





Dual-Band Combiner

78210669V43

470–960 MHz
1695–2700 MHz

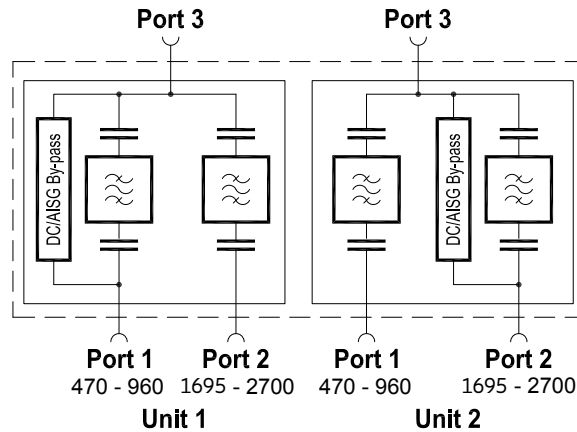
- Can be used as a combiner near the BTS or in a reciprocal function near the antenna
- Very low insertion loss
- Enables feeder sharing
- Designed for co-siting purposes
- Suitable for indoor and outdoor applications
- Wall or mast mounting
- Built-in lightning protection
- External DC stop available as an accessory



ericsson.com/antenna-system



Scan or [click](#)



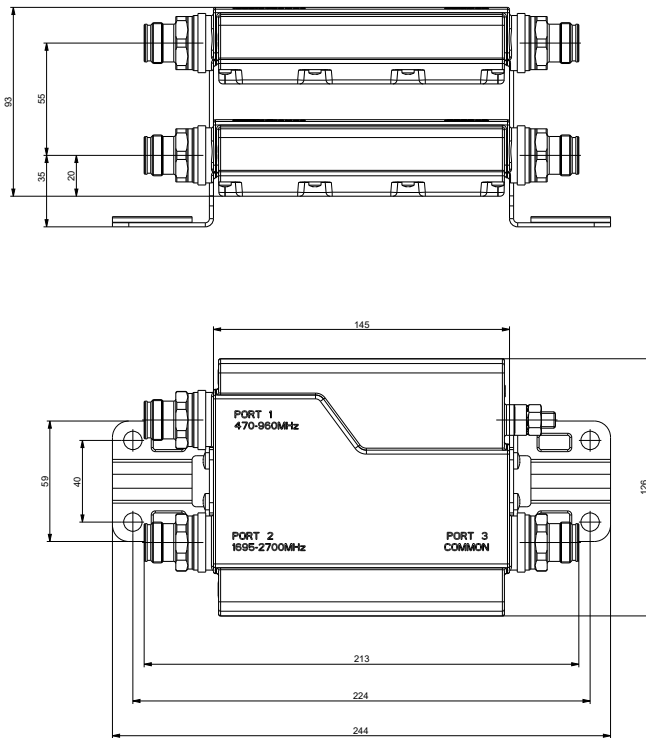
Product No.		78210669V43 Double Unit	
Pass band Band 1 Band 2	MHz MHz	470 – 960 1695 – 2700	
Insertion loss Port 1 ↔ Port 3 Port 2 ↔ Port 3	dB dB	< 0.1 (470 – 960 MHz) < 0.1 (1695 – 2700 MHz)	
Isolation Port 1 ↔ Port 2	dB	> 55 (470 – 960 MHz) / > 65 (1695 – 2700 MHz)	
VSWR (all ports)		< 1.2 (470 – 960 / 1695 – 2700 MHz)	
Impedance	Ω	50	
Input power Band 1 / Band 2	W	< 300 / < 300	
Intermodulation products	dBc	< -160 (3 rd order with 2 x 20 W)	
Temperature range	°C °F	-55 ... +60 -67 ... +140	
Connectors		4.3-10 female	
Application		Indoor or outdoor (IP 66)	
DC/AISG transparency Port 1 ↔ Port 3 Port 2 ↔ Port 3	mA mA	Unit 1 By-pass (max. 2500) Stop	Unit 2 Stop By-pass (max. 2500)
Lightning protection	kA	3, 10/350 μs pulse	
Mounting		Wall mounting: With 4 screws (max. 8 mm diameter) / Mast mounting: With additional clamp set	
Weight	kg lb	2.4 5.3	
Dimensions (w x h x d)	mm in	126 x 145 x 93 5.0 x 5.7 x 3.7 (without connectors, without mounting brackets)	
Packing size	mm in	285 x 157 x 148 11.2 x 6.2 x 5.8	

Accessories (order separately)

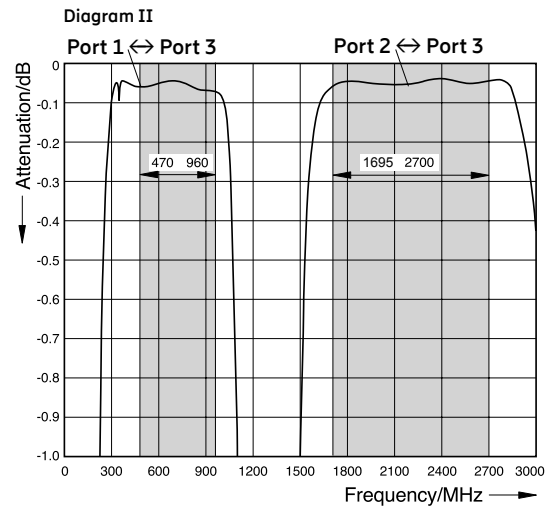
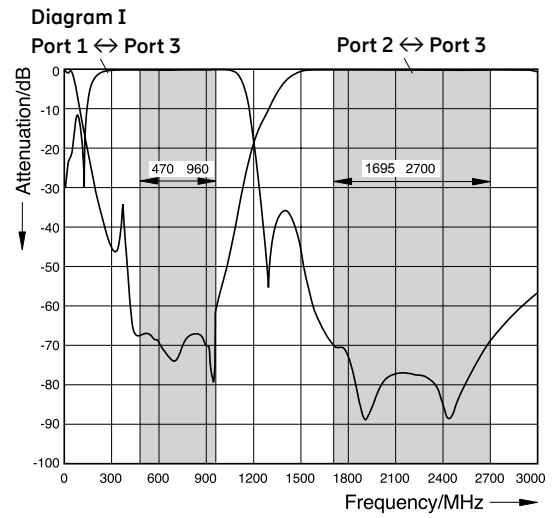
Product No.		Clamp set suitable for mast diameter of
734360	mm in	34–60 1.34–2.36
734364	mm in	120–140 4.72–5.51
734365	mm in	45–125 1.77–4.92

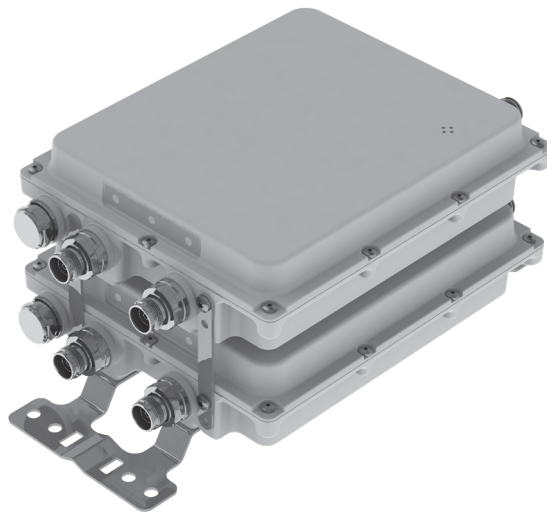
Product No.	Description
78210484	50-Ohm load
78211000	DC stop

Dimensions in mm



Typical Attenuation Curves



AUTO-
SENSE

Double Unit

Dual-Band Combiner

78211628, 78211628V01

1427–1880 MHz
1920–2690 MHz

- Can be used as a combiner near the BTS or in a reciprocal function near the antenna
- Very low insertion loss
- Enables feeder sharing
- Designed for co-siting purposes
- Integrated Auto-Sense technology for automatic DC / AISG detection and bypass functionality
- Suitable for indoor or outdoor applications
- Wall or mast mounting
- Built-in lightning protection



ericsson.com/antenna-system

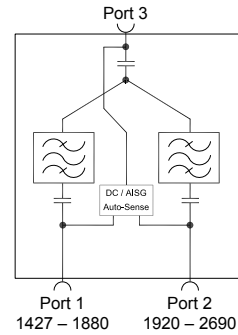


Scan or [click](#)

Priority table for 78211628V01 with Priority Controlled Function

1427–1880 MHz	Priority 2 (lowest)
1920–2690 MHz	Priority 1 (highest)

For more information see Auto-Sense quick guide later in this datasheet.



Product No. DC/AISG transparency 1. First In - First Out Function 2. Priority Controlled Function		78211628 78211628V01 Double Unit
Pass band Band 1 Band 2	MHz MHz	1427 – 1880 1920 – 2690
Insertion loss Port 1 ↔ Port 4 Port 2 ↔ Port 4	dB dB	< 0.3 (1427 – 1880 MHz) typ. 0.2 dB < 0.35 (1920 – 2690 MHz) typ. 0.2 dB
Isolation	dB	> 40
VSWR		< 1.25
Impedance	Ω	50
Input power Band 1 / Band 2	W	< 300
Intermodulation products	dBc	< -160 (3 rd order; with 2 x 20 W)
Temperature range	°C °F	-40 ... +60 -40 ... +140
Connectors		4.3-10 female
Application		Indoor or outdoor (IP 66)
Lightning protection	kA	3, 10/350 μs pulse
DC/AISG transparency Port 1, 2 ↔ Port 3	mA	Auto-Sense (max. 2000)
Mounting	mm in	Wall mounting: With 4 screws (max. 8 0.315 diameter) Mast mounting: With additional clamp set
Weight	kg lb	6.8 15.0
Dimensions (w x h x d)	mm in	251 x 211 x 139 9.9 x 8.3 x 5.5 (without connectors, without mounting brackets)
Packing size	mm in	439 x 289 x 230 17.3 x 11.4 x 9.1

Accessories (order separately)

Product No.		Clamp set suitable for mast diameter of
734360	mm in	34–60 1.34–2.36
734364	mm in	120–140 4.72–5.51
734365	mm in	45–125 1.77–4.92

Product No.	Description
78210484	50-Ohm load
78211000	DC stop

Typical Attenuation Curves

Diagram I

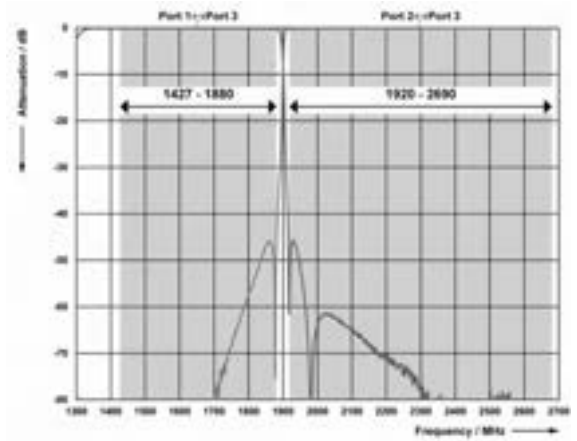
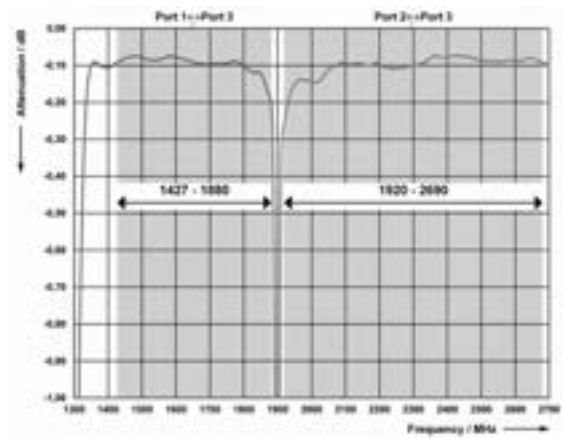
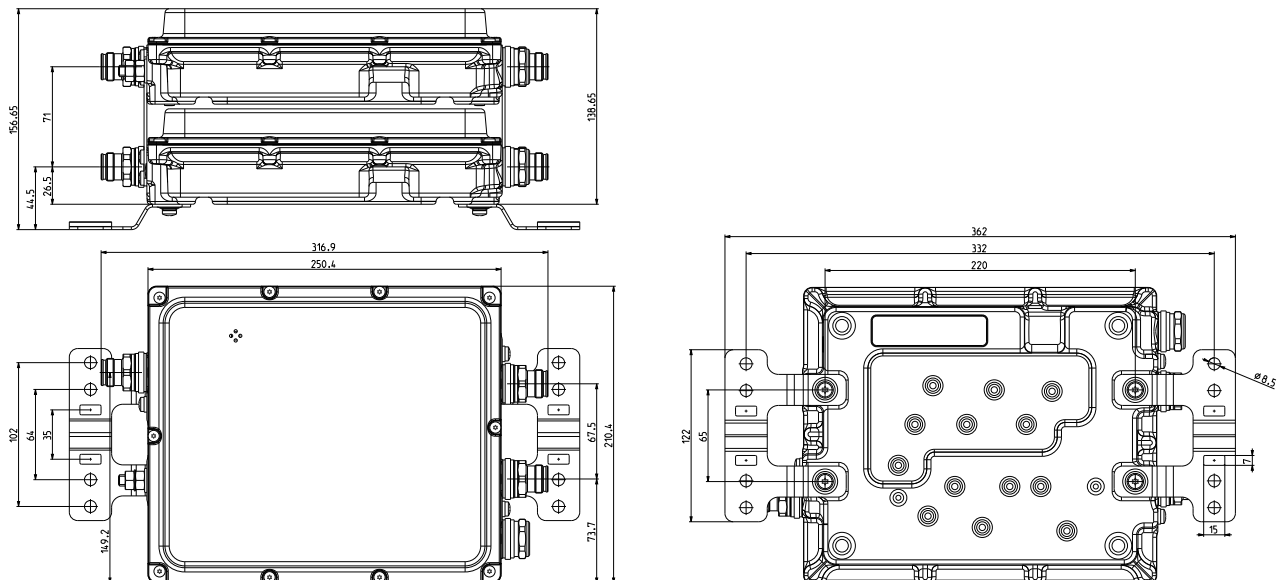


Diagram II



Dimensions in mm





Double Unit

Dual-Band Combiner

KRF 102 386/8

1710–1880 MHz

1920–2690 MHz

- Easy and fast installation
- Low insertion loss
- Rail mounting is possible
- Wall mounting brackets and pole clamps are included
- Indoor and outdoor proof
- Can be used with both Ericsson and non-Ericsson RBSs



ericsson.com/antenna-system

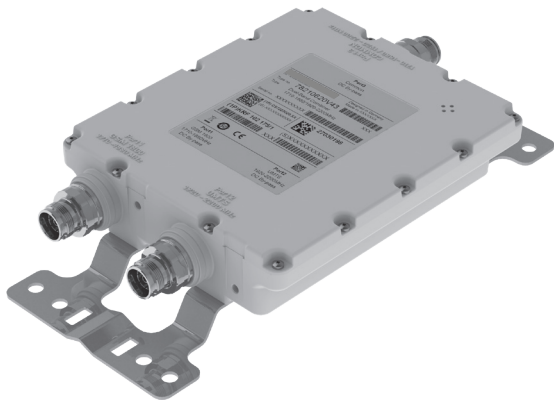


Scan or [click](#)

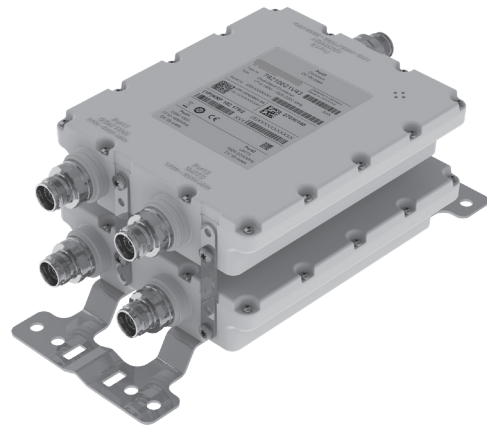
Product No.	KRF 102 386/8 Double Unit	
Electrical Specifications**		
Frequency range - Low port (B3): - High port (B1/B7):	MHz	1710 – 1880 1920 – 2690
Insertion loss	dB	0.2*
Return loss	dB	22*
Isolation	dB	> 50
Intermodulation (IM3) at 2x43 dBm	dBm	-118*
Max. power handling - Continuous: - Peak:	dBm	53 61
DC + AISG transparency - Maximum DC voltage: - Maximum DC current:	V DC A	40 3
DC configuration	Bypass on all ports	
Mechanical Specifications		
Dimensions (H × W × D)	mm	200 × 200 × 74
Weight	kg	5.1
RF connectors	4.3–10 (f)	
Mounting alternatives	Rail, pole, or wall mounting (Rail bracket ordered separately)	
Environmental Specifications**		
Temperature range, full performance	°C	-40 to +55
IP class	IP67	
Lightning protection	5 kA 10/350 μs, 20 kA 8/20 μs (Common mode)	
Corrosion resistance	ISO/FDIS 21207 method B (20 years in C4 environment)	

* Typical values

** Common values for both variants



Single Unit



Double Unit

Dual-Band Combiner

78210620V43, 78210621V43,
78210622V43, 78210623V43

1710–1880 MHz
1920–2200 MHz

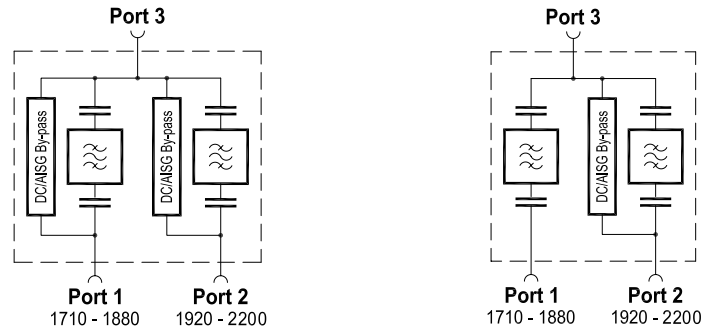
- Can be used as a combiner near the BTS or in a reciprocal function near the antenna
- Very low insertion loss
- Enables feeder sharing
- Designed for co-siting purposes
- Integrated Auto-Sense technology for automatic DC / AISG detection and bypass functionality
- Available as a single unit, or for XPol antennas as double unit
- Suitable for indoor or outdoor applications
- Wall or mast mounting
- Built-in lightning protection



ericsson.com/antenna-system



Scan or [click](#)



Product No.		78210620V43 Single Unit	78210622V43 Single Unit
		78210621V43 Double Unit	78210623V43 Double Unit
Pass band Band 1 (GSM 1800) Band 2 (UMTS)	MHz MHz	1710 – 1880 1920 – 2200	
Insertion loss Port 1 ↔ Port 3 Port 2 ↔ Port 3	dB dB	< 0.3, typically 0.14 (1710 – 1880 MHz) < 0.3, typically 0.12 (1920 – 2200 MHz)	
Isolation Port 1 ↔ Port 2	dB	> 55 (1710 – 1880) / > 50 (1920 – 2200 MHz)	
VSWR		< 1.2 (1710 – 1880) / (1920 – 2200 MHz)	
Impedance	Ω	50	
Input power Band 1 / Band 2	W	< 300 / < 300	
Intermodulation products	dBc	< -160 (3 rd order; with 2 x 20 W)	
Temperature range	°C °F	-55 ... +60 -67 ... +140	
Connectors		4.3-10 female	
Application		Indoor or outdoor (IP 66)	
DC/AISG transparency Port 1 ↔ Port 3 Port 2 ↔ Port 3	mA mA	By-pass (max. 2500) By-pass (max. 2500)	Stop By-pass (max. 2500)
Lightning protection	kA	3 kA, 10/350 μs pulse	
Mounting		Wall mounting: With 4 screws (max. 8 mm diameter) / Mast mounting: With additional clamp set	
Weight	kg lb kg lb	Single Unit: 2.2 4.9 Double Unit: 4.3 9.5	
Dimensions (w x h x d)	mm in mm in	Single Unit: 163.5 x 195.3 x 46 6.4 x 7.7 x 1.8 (without connectors, without mounting brackets) Double Unit: 163.5 x 195.3 x 102 6.4 x 7.7 x 4.0 (without connectors, without mounting brackets)	
Packing size	mm in mm in	Single Unit: 392 x 272 x 139 15.5 x 10.7 x 5.5 Double Unit: 392 x 272 x 189 15.5 x 10.7 x 7.4	

Accessories (order separately)

Product No.		Clamp set suitable for mast diameter of
734360	mm in	34–60 1.34–2.36
734364	mm in	120–140 4.72–5.51
734365	mm in	45–125 1.77–4.92

Product No.	Description
78210484	50-Ohm load
78211000	DC stop

Typical Attenuation Curves

Diagram I

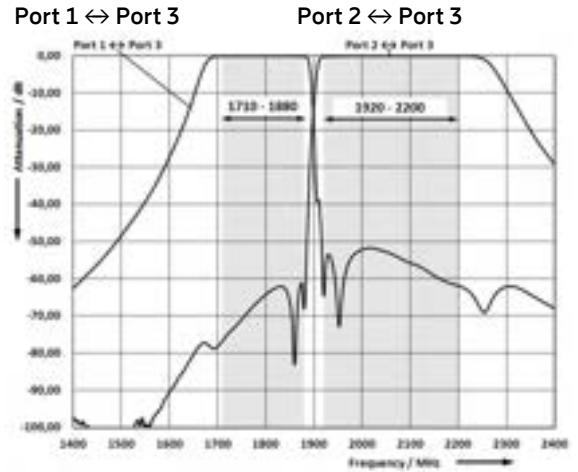
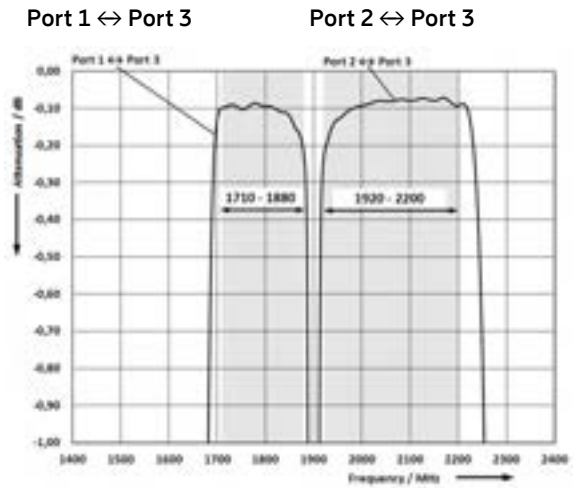
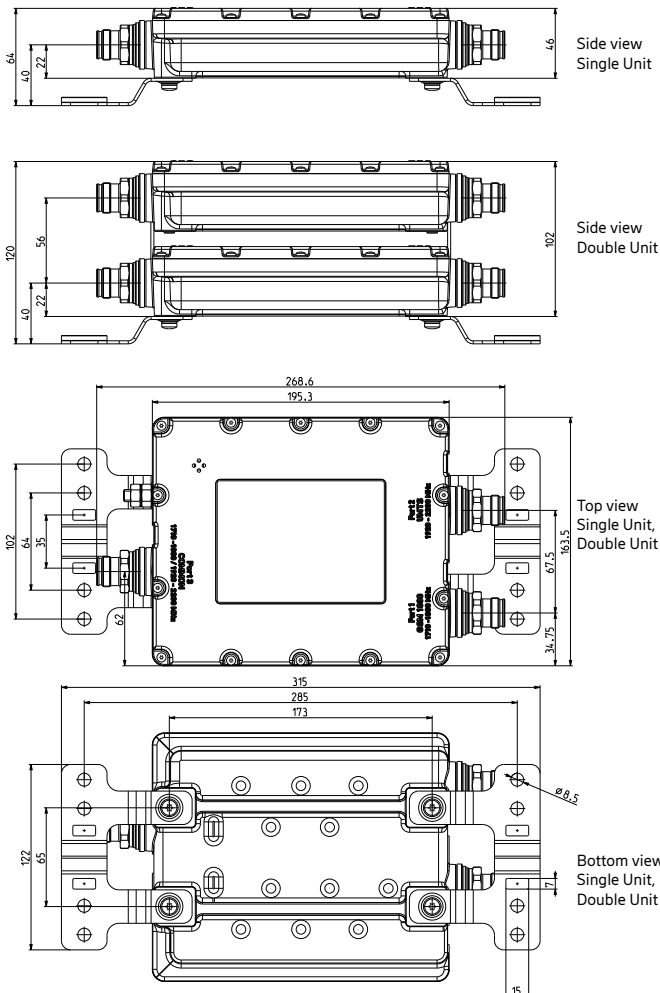
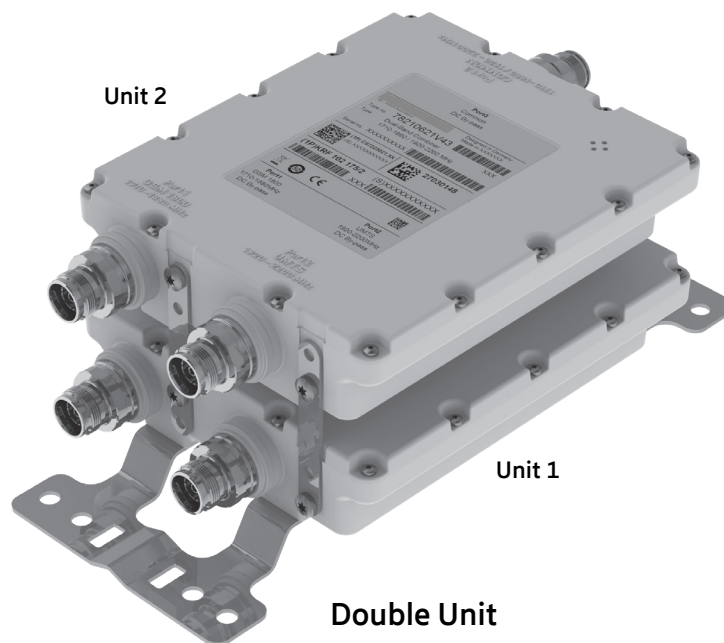


Diagram II



Dimensions in mm





Dual-Band Combiner

78210626V43

1710–1880 MHz

1920–2200 MHz

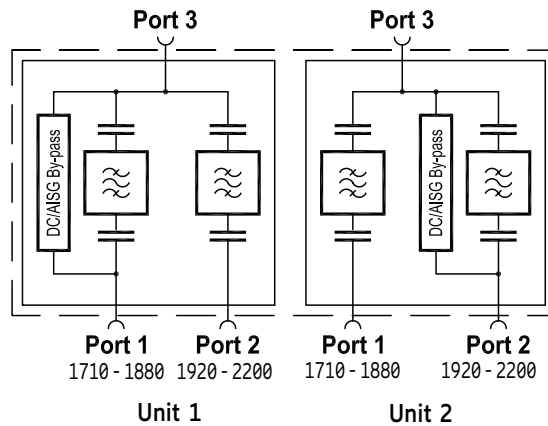
- Designed to support separate DC/AISG supply for a low-band and high-band DTMA via 2 feeder cables (see application)
- Enables feeder sharing
- Can be used as a combiner near the BTS or in a reciprocal function near the antenna
- Suitable for indoor or outdoor applications
- Wall or mast mounting
- Double unit for XPol antennas
- Built-in lightning protection



ericsson.com/antenna-system



Scan or [click](#)



Product No.		78210626V43 Double Unit	
Pass band Band 1 (GSM 1800) Band 2 (UMTS)	MHz MHz	1710 – 1880 1920 – 2200	
Insertion loss Port 1 ↔ Port 3 Port 2 ↔ Port 3	dB dB	< 0.3 (1710 – 1880 MHz) < 0.3 (1920 – 2200 MHz)	
Isolation Port 1 ↔ Port 2	dB	> 55 (1710 – 1880 MHz) / > 50 (1920 – 2200 MHz)	
VSWR		< 1.2 (1710 – 1880) / (1920 – 2200 MHz)	
Impedance	Ω	50	
Input power Band 1 / Band 2	W	< 300 / < 300	
Intermodulation products	dBc	< -160 (3 rd order; with 2 x 20 W)	
Temperature range	°C	-55 ... +60 -67 ... +140	
Connectors		4.3-10 female	
Application		Indoor or outdoor (IP 66)	
DC/AISG transparency Port 1 ↔ Port 3 Port 2 ↔ Port 3	mA mA	Unit 1 By-pass (max. 2500) Stop	Unit 2 Stop By-pass (max. 2500)
Lightning protection		3 kA, 10/350 μs pulse	
Mounting		Wall mounting: With 4 screws (max. 8 mm diameter) / Mast mounting: With additional clamp set	
Weight	kg lb	4.3 9.5	
Dimensions (w x h x d)	mm in	164 x 195 x 102 6.4 x 7.7 x 4.0 (without connectors, without mounting brackets)	
Packing size	mm in	392 x 272 x 189 15.4 x 10.7 x 7.4	

Accessories (order separately)

Product No.		Clamp set suitable for mast diameter of
734360	mm in	34–60 1.34–2.36
734364	mm in	120–140 4.72–5.51
734365	mm in	45–125 1.77–4.92

Product No.	Description
78210484	50-Ohm load
78211000	DC stop

Typical Attenuation Curves

Diagram I

Port 1 ↔ Port 3

Port 2 ↔ Port 3

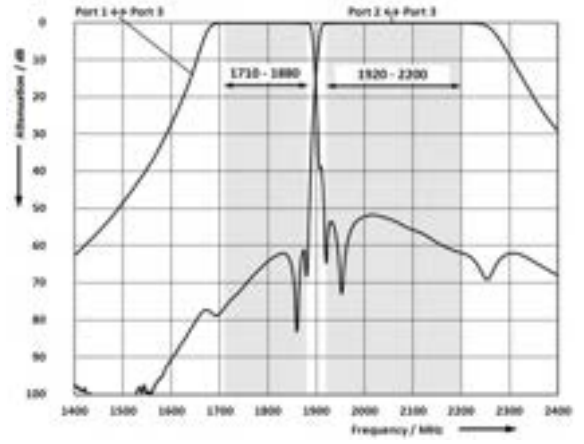
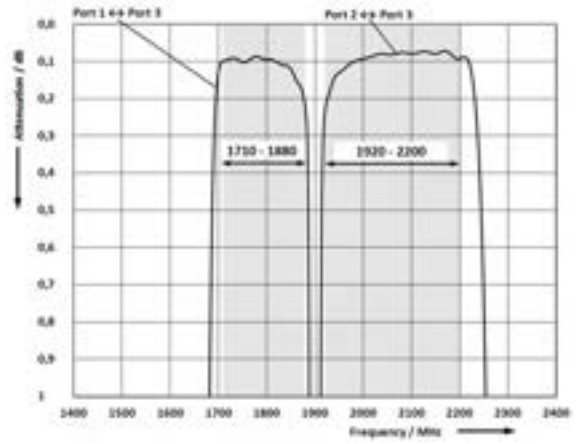


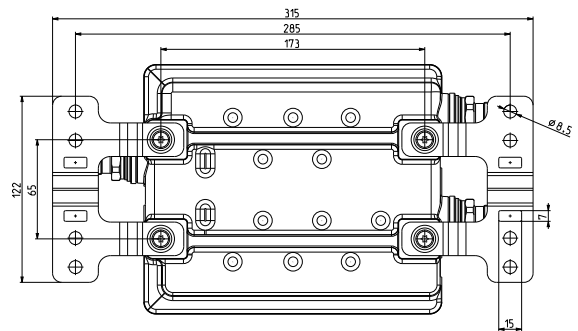
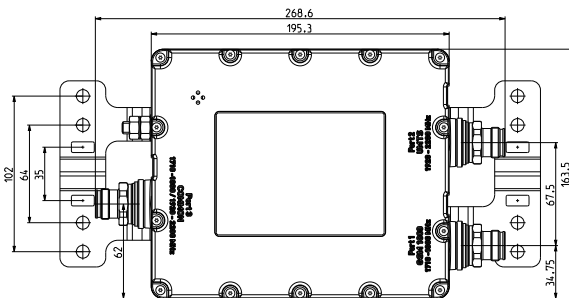
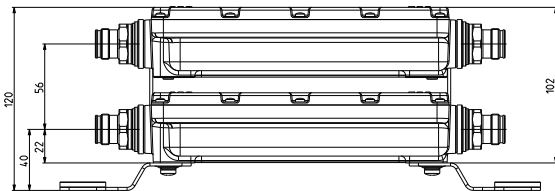
Diagram II

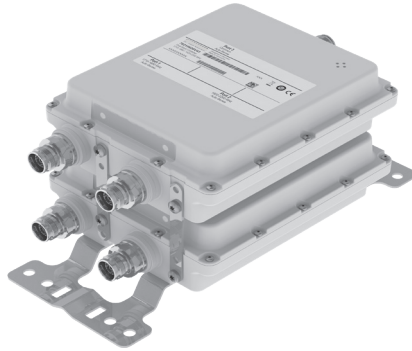
Port 1 ↔ Port 3

Port 2 ↔ Port 3



Dimensions in mm



AUTO-
SENSE

Double Unit

Dual-Band Combiner

78210628V43, 78210628V44

1710–1880 MHz
1920–2200 MHz

- Can be used as a combiner near the BTS or in a reciprocal function near the antenna
- Very low insertion loss
- Enables feeder sharing
- Designed for co-siting purposes
- Integrated Auto-Sense technology for automatic DC / AISG detection and bypass functionality
- Suitable for indoor or outdoor applications
- Wall or mast mounting
- Built-in lightning protection



ericsson.com/antenna-system

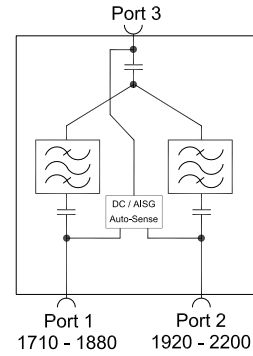


Scan or [click](#)

Priority table for 78210628V44 with Priority Controlled Function

1710-1880 MHz	Priority 2 (lowest)
1920-2200 MHz	Priority 1 (highest)

For more information see Auto-Sense quick guide later in this datasheet.



Product No. DC/AISG transparency 1. First In - First Out Function 2. Priority Controlled Function		78210628V43 78210628V44 Double Unit
Pass band Band 1 Band 2	MHz MHz	1710 – 1880 1920 – 2200
Insertion loss Port 1 ↔ Port 3 Port 2 ↔ Port 3	dB dB	< 0.3 (1710 – 1880 MHz) < 0.3 (1920 – 2200 MHz)
Isolation Port 1 ↔ Port 2	dB	> 55 (1710 – 1880 MHz) / > 50 (1920 – 2200 MHz)
VSWR		< 1.2
Impedance	Ω	50
Input power Band 1 / Band 2	W	< 300 / < 300
Intermodulation products	dBc	< -160 (3 rd order; with 2 x 20 W)
Temperature range	°C °F	-55 ... +60 -67 ... +140
Connectors		4.3-10 female
Application		Indoor or outdoor (IP 66)
Lightning protection	kA	3, 10/350 μs pulse
Mounting	mm in	Wall mounting: With 4 screws (max. 8 0.315 diameter) Mast mounting: With additional clamp set
Grounding		M8 stud
Weight	kg lb	4.8 10.5
Dimensions (w x h x d)	mm in	164 x 195 x 129 6.4 x 7.7 x 5.1 (without connectors, without mounting brackets)
Packing size	mm in	392 x 272 x 189 15.4 x 10.7 x 7.4

Accessories (order separately)

Product No.		Clamp set suitable for mast diameter of
734360	mm in	34–60 1.34–2.36
734364	mm in	120–140 4.72–5.51
734365	mm in	45–125 1.77–4.92

Product No.	Description
78210484	50-Ohm load
78211000	DC stop

Typical Attenuation Curves

Diagram I

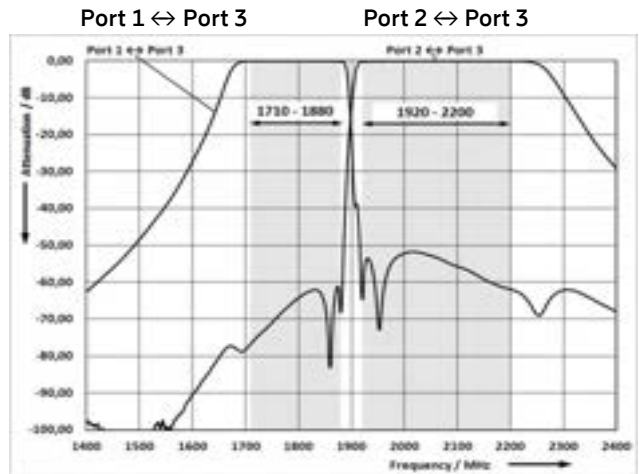
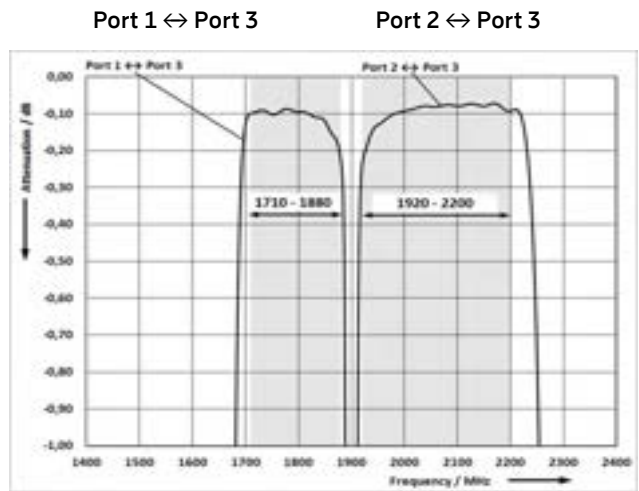
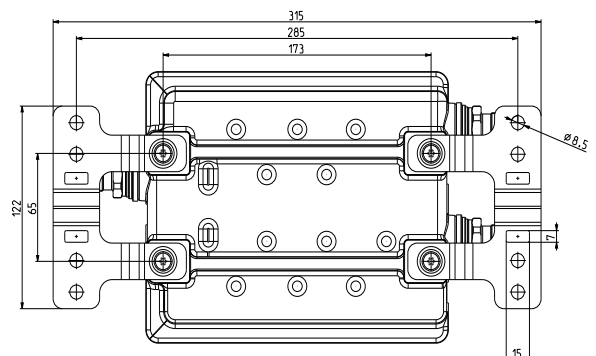
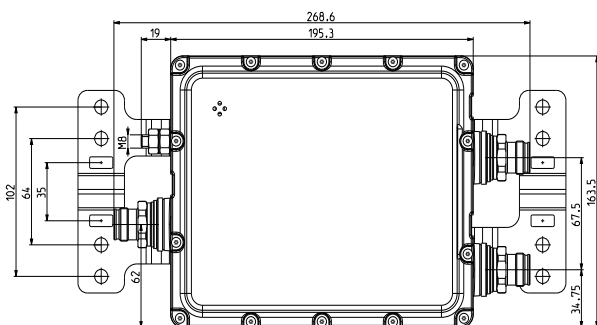
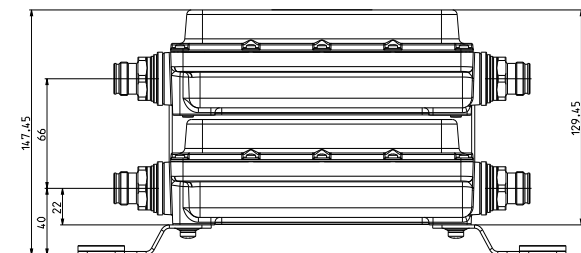
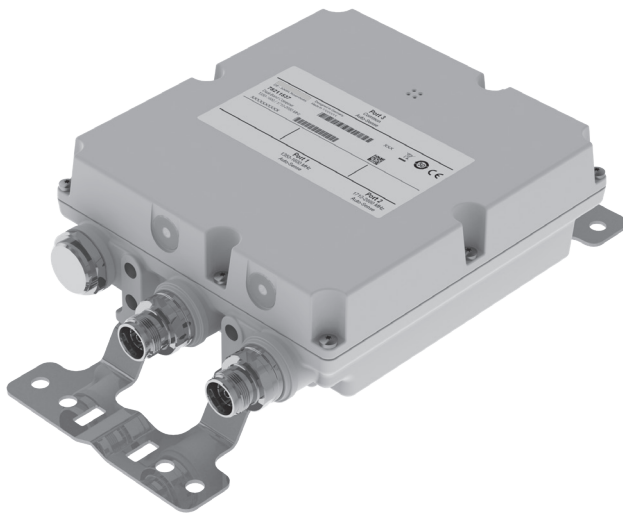


Diagram II

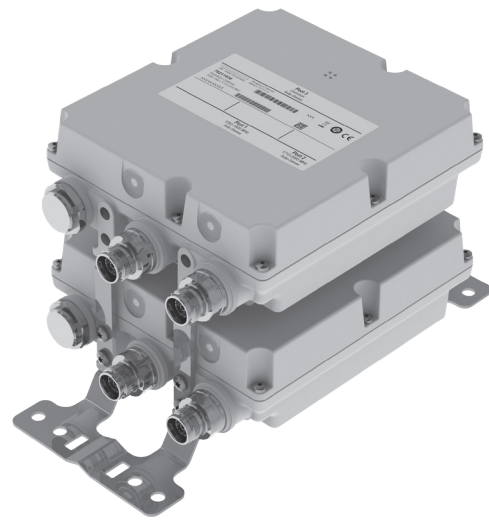


Dimensions in mm





Single Unit



Double Unit

Dual-Band Combiner

78211530, 78211531,
78211532, 78211533

1427–1518 MHz
1710–2690 MHz

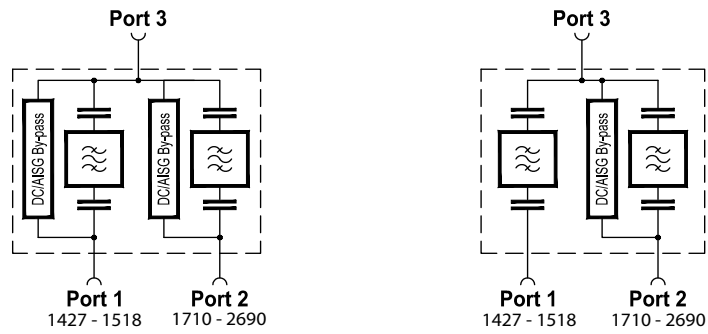
- Can be used as a combiner near the BTS or in a reciprocal function near the antenna
- Very low insertion loss
- Enables feeder sharing
- Designed for co-siting purposes
- Available as a single unit, or for XPol antennas as double unit
- Suitable for indoor and outdoor applications
- Wall or mast mounting
- Built-in lightning protection
- External DC stop available as an accessory



ericsson.com/antenna-system



Scan or [click](#)



Product No.		78211530 Single Unit	clamps included	78211532 Single Unit
		78211531 Double Unit		78211533 Double Unit
Pass band				
Band 1	MHz	1427 – 1518		
Band 2	MHz	1710 – 2690		
Insertion loss				
Port 1 ↔ Port 3	dB	< 0.2 (1427 – 1518)		
Port 2 ↔ Port 3	dB	< 0.3 (1710 – 2690)		
Isolation	dB	> 40		
VSWR		< 1.25		
Impedance	Ω	50		
Input power				
Band 1 / Band 2	W	< 200		
Intermodulation products	dBc	< -160 (3 rd order; with 2 x 20 W)		
Temperature range	°C °F	-40 ... +60 -40 ... +140		
Connectors		4.3-10 female		
Application		Indoor or outdoor (IP 66)		
DC/AISG transparency				
Port 1 ↔ Port 3	mA	By-pass (max. 2500)		Stop
Port 2 ↔ Port 3	mA	By-pass (max. 2500)		By-pass (max. 2500)
Lightning protection	kA	3, 10/350 μs pulse		
Mounting		Wall mounting: With 4 screws (max. 8 0.315 [mm in] diameter) Mast mounting: With included clamp set		
Weight	kg lb	Single unit : 3.2 7.1 Double unit: 6.3 13.9		
Dimensions (w x h x d)	mm in	Single unit: 190 x 176 x 77 7.5 x 7.0 x 3.0 Double unit: 190 x 176 x 161 7.5 x 7.0 x 6.3 (without connectors, without mounting brackets)		
Packing size	mm in	Single unit: 375 x 245 x 160 14.8 x 9.7 x 6.3 Double unit: 375 x 245 x 245 14.8 x 9.7 x 9.7		

Accessories (included)

Product No.		Clamp set suitable for most diameter of
734365	mm in	45–125 1.77–4.92

Accessories (order separately)

Product No.		Description
78210484		50-Ohm load
78211000		DC stop
734360	mm in	Clamp set: 34–60 1.34–2.36
734364	mm in	Clam set: 120–140 4.72–5.51

Typical Attenuation Curves

Diagram I

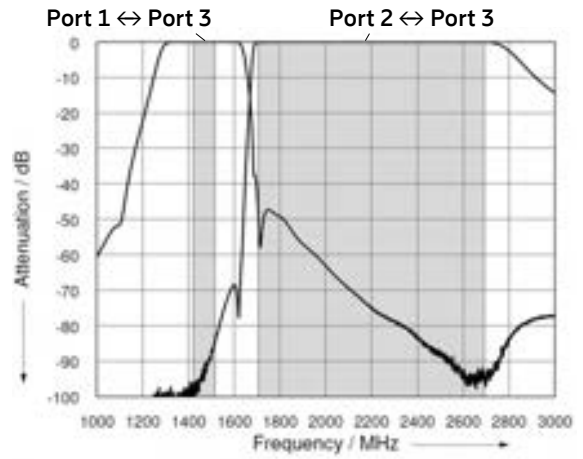
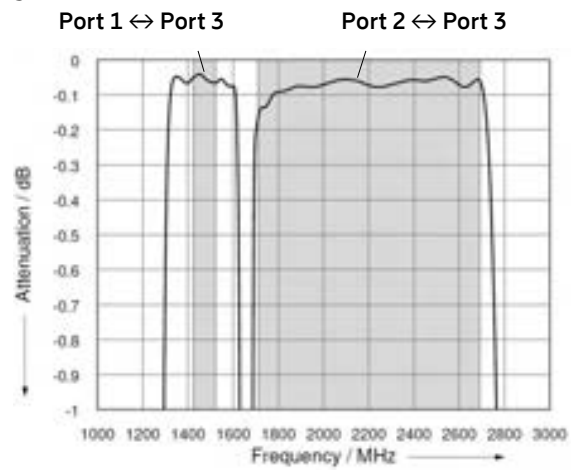
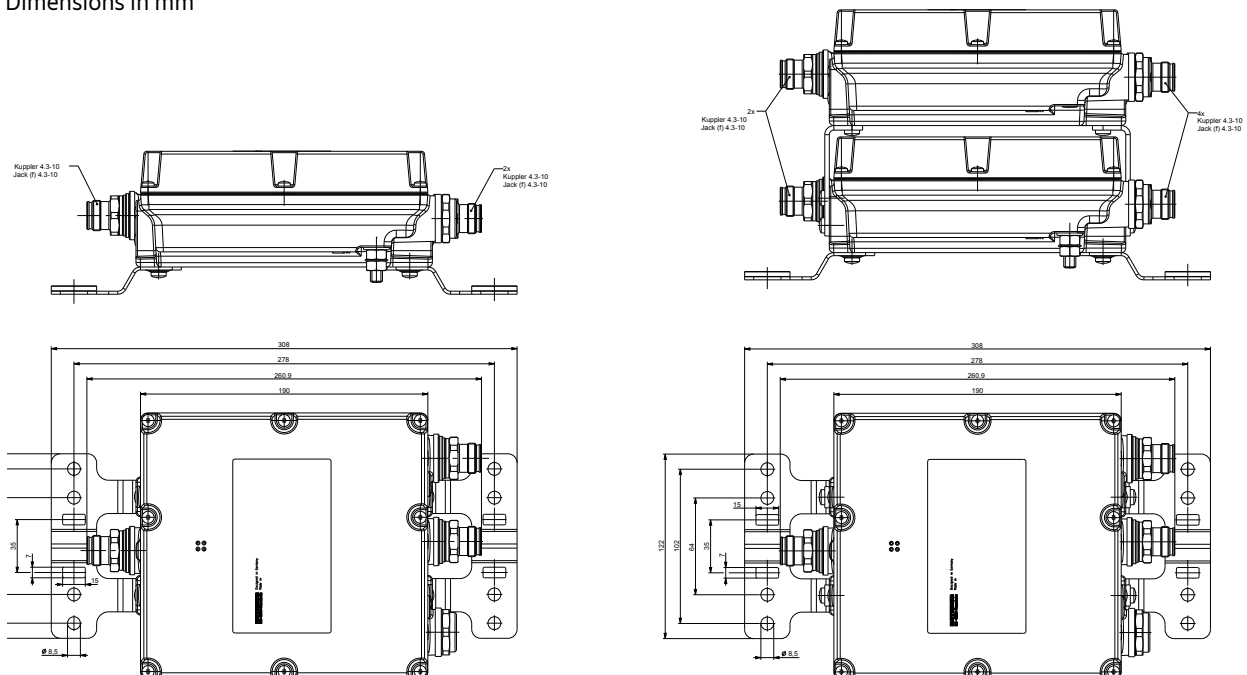
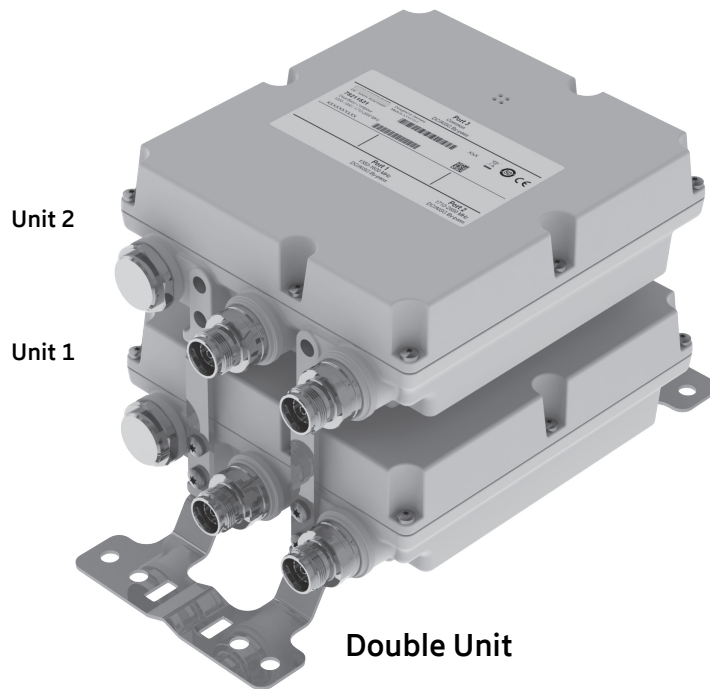


Diagram II



Dimensions in mm





Dual-Band Combiner

78211536

1427–1518 MHz
1710–2690 MHz

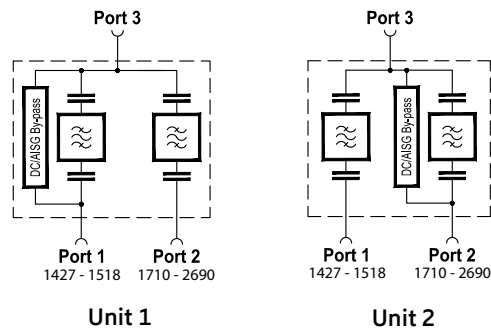
- Can be used as a combiner near the BTS or in a reciprocal function near the antenna
- Very low insertion loss
- Enables feeder sharing
- Designed for co-siting purposes
- Suitable for indoor and outdoor applications
- Wall or mast mounting
- Built-in lightning protection
- External DC stop available as an accessory



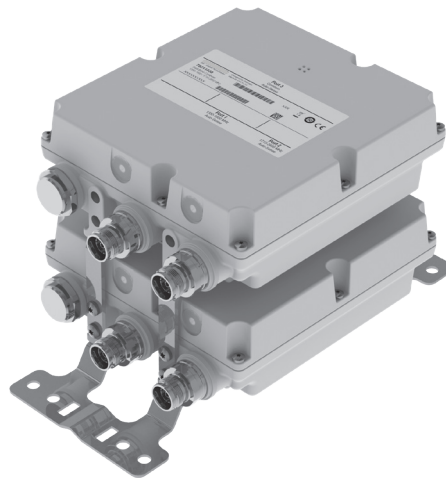
ericsson.com/antenna-system



Scan or [click](#)



Product No.		78211536 Double Unit		clamps included
Pass band				
Band 1	MHz	1427 – 1518		
Band 2	MHz	1710 – 2690		
Insertion loss				
Port 1 ↔ Port 3	dB	< 0.2 (1427 – 1518 MHz)		
Port 2 ↔ Port 3	dB	< 0.3 (1710 – 2690 MHz)		
Isolation	dB	> 40		
VSWR		< 1.25		
Impedance	Ω	50		
Input power				
Band 1 / Band 2	W	< 200		
Intermodulation products	dBc	< -160 (3 rd order; with 2 x 20 W)		
Temperature range	°C °F	-40 ... +60 -40 ... +140		
Connectors		4.3-10 female		
Application		Indoor or outdoor (IP 66)		
DC/AISG transparency				
Port 1 ↔ Port 3	mA	Unit 1	Unit 2	
Port 2 ↔ Port 3	mA	By-pass (max. 2500)	Stop	
		Stop	By-pass (max. 2500)	
Lightning protection	kA	3, 10/350 μs pulse		
Mounting	mm in	Wall mounting: With 4 screws (max. 8 0.315 diameter) / Mast mounting: With included clamp set		
Weight	kg lb	6.3 13.9		
Dimensions (w x h x d)	mm in	190 x 176 x 161 7.5 x 6.9 x 6.3 (without connectors, without mounting brackets)		
Packing size	mm in	375 x 245 x 245 14.8 x 9.7 x 9.7		

AUTO-
SENSE

Double Unit

Dual-Band Combiner

78211538, 78211538V01

1427–1518 MHz
1710–2690 MHz

- Can be used as a combiner near the BTS or in a reciprocal function near the antenna
- Very low insertion loss
- Enables feeder sharing
- Designed for co-siting purposes
- Integrated Auto-Sense technology for automatic DC / AISG detection and bypass functionality
- Suitable for indoor and outdoor applications
- Wall or mast mounting
- Built-in lightning protection



ericsson.com/antenna-system

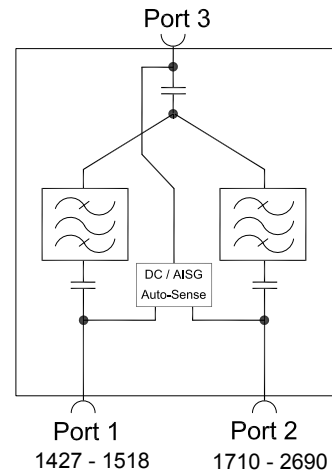


Scan or [click](#)

Priority table for 78211538V01 with Priority Controlled Function

1427–1518 MHz	Priority 2 (lowest)
1710–2690 MHz	Priority 1 (highest)

For more information see Auto-Sense quick guide later in this datasheet.



Product No. DC/AISG transparency 1. First In - First Out Function 2. Priority Controlled Function		78211538 78211538V01 Double Unit	clamps included
Pass band Band 1	MHz	1427 – 1518	
Band 2	MHz	1710 – 2690	
Insertion loss Port 1 ↔ Port 3	dB	< 0.2 (1427 – 1518)	
Port 2 ↔ Port 3	dB	< 0.3 (1710 – 2690)	
Isolation	dB	> 40	
VSWR		< 1.25	
Impedance	Ω	50	
Input power Band 1 / Band 2	W	< 200	
Intermodulation products	dBc	< -160 (3 rd order; with 2 x 20 W)	
Temperature range	°C °F	-40 ... +60 -40 ... +140	
Connectors		4.3-10 female	
Application		Indoor or outdoor (IP 66)	
Lightning protection	kA	3, 10/350 μs pulse	
Mounting	mm in	Wall mounting: With 4 screws (max. 8 0.315 [mm in] diameter) Mast mounting: With included clamp set	
Weight	kg lb	6.3 13.9	
Dimensions (w x h x d)	mm in	190 x 176 x 161 7.5 x 7.0 x 6.3 (without connectors, without mounting brackets)	
Packing size	mm in	375 x 245 x 245 14.8 x 9.7 x 9.7	

Accessories (included)

Product No.		Clamp set suitable for mast diameter of
734365	mm in	45–125 1.77–4.92

Accessories (order separately)

Product No.		Description
78210484		50-Ohm load
78211000		DC stop
734360	mm in	Clamp set: 34–60 1.34–2.36
734364	mm in	Clamp set: 120–140 4.72–5.51

Typical Attenuation Curves

Diagram I

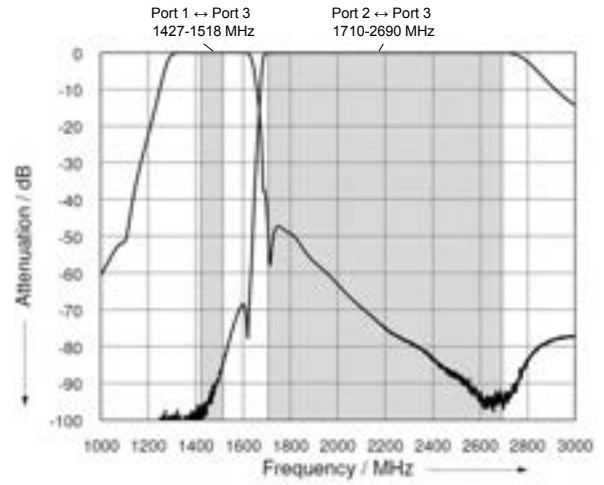
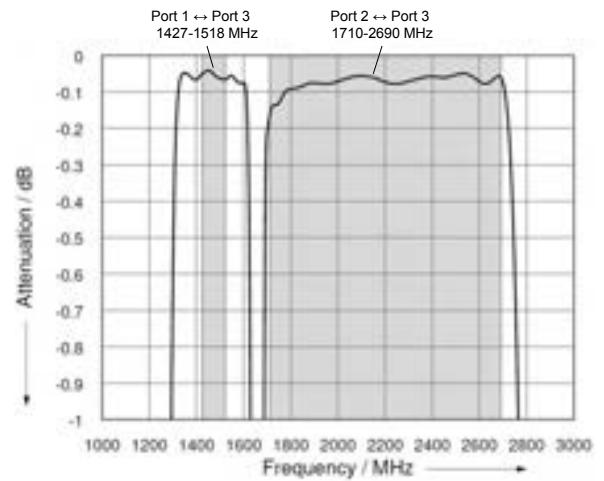
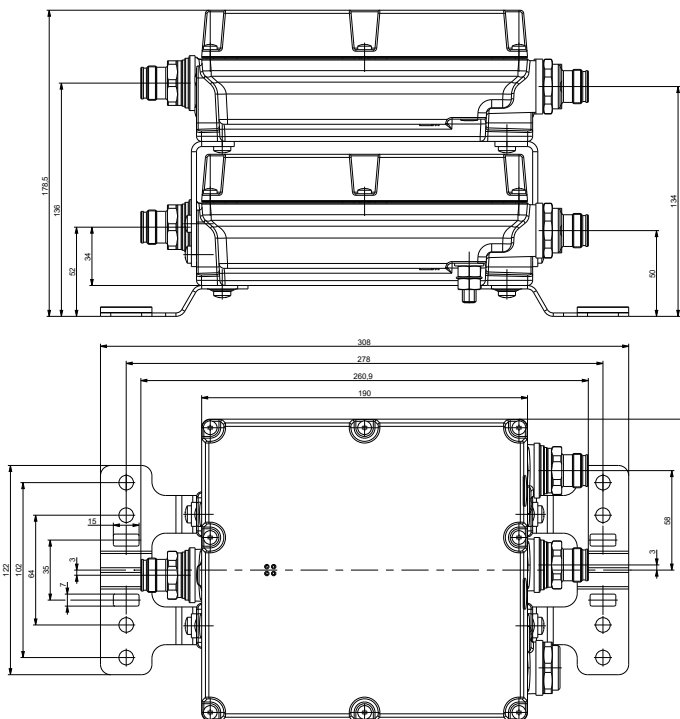


Diagram II



Dimensions in mm





Double Unit

Dual-Band Combiner

KRF 102 419/1

1427–1518 MHz

1710–2690 MHz

- Part of Ericsson Radio System product family
- Verified with Ericsson RBSs
- Can be used with both Ericsson and non-Ericsson RBSs
- Very low insertion loss
- Excellent isolation performance
- Wall mounting brackets and pole clamps are included
- Rail mounting is possible
- Indoor and outdoor proof
- 4.3–10 connectors



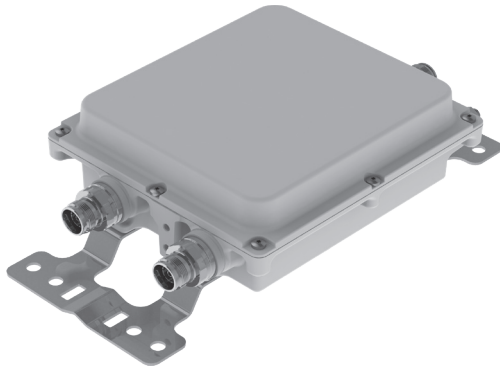
ericsson.com/antenna-system



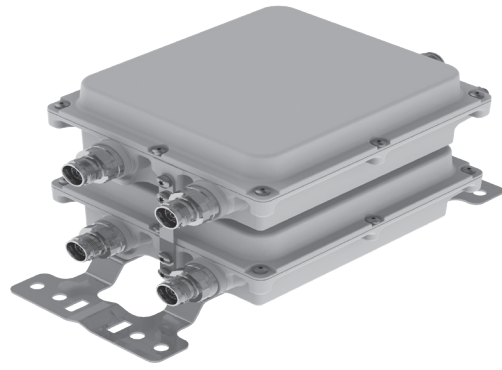
Scan or [click](#)

Product No.		KRF 102 419/1 Double Unit
Electrical Specifications		
Frequency range - Low port: - High port:	MHz	1427 - 1518 1710 - 2690
Insertion loss	dB	0.1*
Return loss	dB	23*
Isolation	dB	> 50
Intermodulation (IM3) at 2x43 dBm	dBm	-116*
Power handling (continuous)	W	100 per port (200 W at COM Port)
DC configuration		Bypass
Mechanical Specifications		
Dimensions (H x W x D)	mm	190 x 150 x 82
Weight	kg	4
Volume	L	2.4
RF connectors		4.3-10 (f)
Mounting options		Rail, pole, or wall mounting (Rail bracket ordered separately)
Environmental Specifications		
Temperature range, full performance	°C	-40 to +55
IP class		IP67
Lightning protection		5 kA 10/350 µs
Product safety		International (CB): IEC 60 950-1, IEC 60 950-22 Europe (CE): EN 60 950-1, EN 60 950-22

* Typical values



Single Unit



Double Unit

Dual-Band Combiner

78211790, 78211791, 78211792

78211793, 78211794, 78211795

1427–2200 MHz

2300–2690 MHz

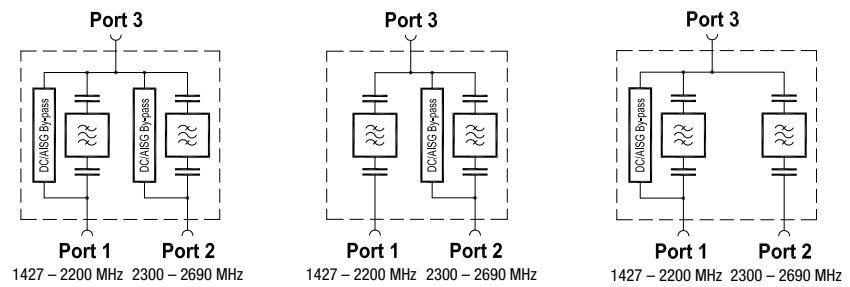
- Can be used as a combiner near the BTS or in a reciprocal function near the antenna
- Very low insertion loss
- Enables feeder sharing
- Designed for co-siting purposes
- Integrated Auto-Sense technology for automatic DC / AISG detection and bypass functionality
- Available as a single unit, or for XPol antennas as double unit
- Suitable for indoor or outdoor applications
- Wall or mast mounting
- Built-in lightning protection



ericsson.com/antenna-system



Scan or [click](#)



Product No.		78211790 Single Unit	78211792 Single Unit	78211794 Single Unit
		78211791 Double Unit	78211793 Double Unit	78211795 Double Unit
Pass band Band 1 Band 2	MHz MHz	1427 – 2200 2300 – 2690		
Insertion loss Port 1 ↔ Port 3 Port 2 ↔ Port 3	dB dB	< 0.2 (1427 – 2200 MHz) < 0.2 (2300 – 2690 MHz)		
Isolation	dB	> 50		
VSWR		< 1.25		
Impedance	Ω	50		
Input power Band 1 / Band 2	W	< 300		
Intermodulation products	dBc	< -160 (3 rd order; with 2 x 20 W)		
Temperature range	°C °F	-55 ... +60 -67 ... +140		
Connectors		4.3-10 female		
Application		Indoor or outdoor (IP 66)		
DC/AISG transparency Port 1 ↔ Port 3 Port 2 ↔ Port 3	mA mA	By-pass (max. 2500) By-pass (max. 2500)	Stop By-pass (max. 2500)	By-pass (max. 2500) Stop
Lightning protection	kA	3, 10/350 μs pulse		
Mounting	mm in	Wall mounting: With 4 screws (max. 8 0.315 diameter) / Mast mounting: With clamp set		
Weight	kg lb	Single Unit: 2.5 5.5 / Double Unit: 4.6 10.1		
Dimensions (w x h x d)	mm in	Single Unit: 192 x 172 x 68 7.6 x 6.8 x 2.7 Double Unit: 192 x 172 x 139 7.6 x 6.8 x 5.5 (without connectors, without mounting brackets)		
Packing size	mm in	Single Unit: 392 x 272 x 155 15.4 x 10.7 x 6.1 Double Unit: 392 x 272 x 220 15.4 x 10.7 x 8.7		

Accessories (order separately)

Product No.		Clamp set suitable for mast diameter of
734360	mm in	34–60 1.34–2.36
734364	mm in	120–140 4.72–5.51
734365	mm in	45–125 1.77–4.92

Product No.	Description
78210484	50-Ohm load
78211000	DC stop

Typical Attenuation Curves

Diagram I

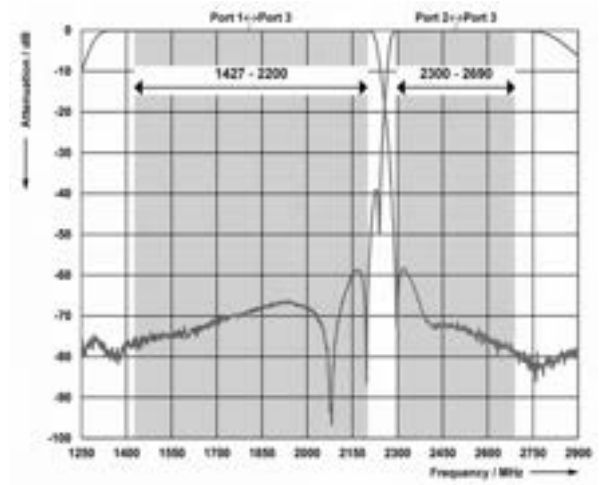
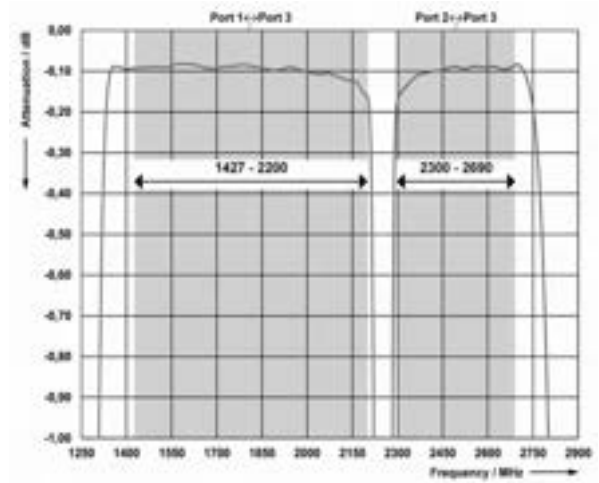
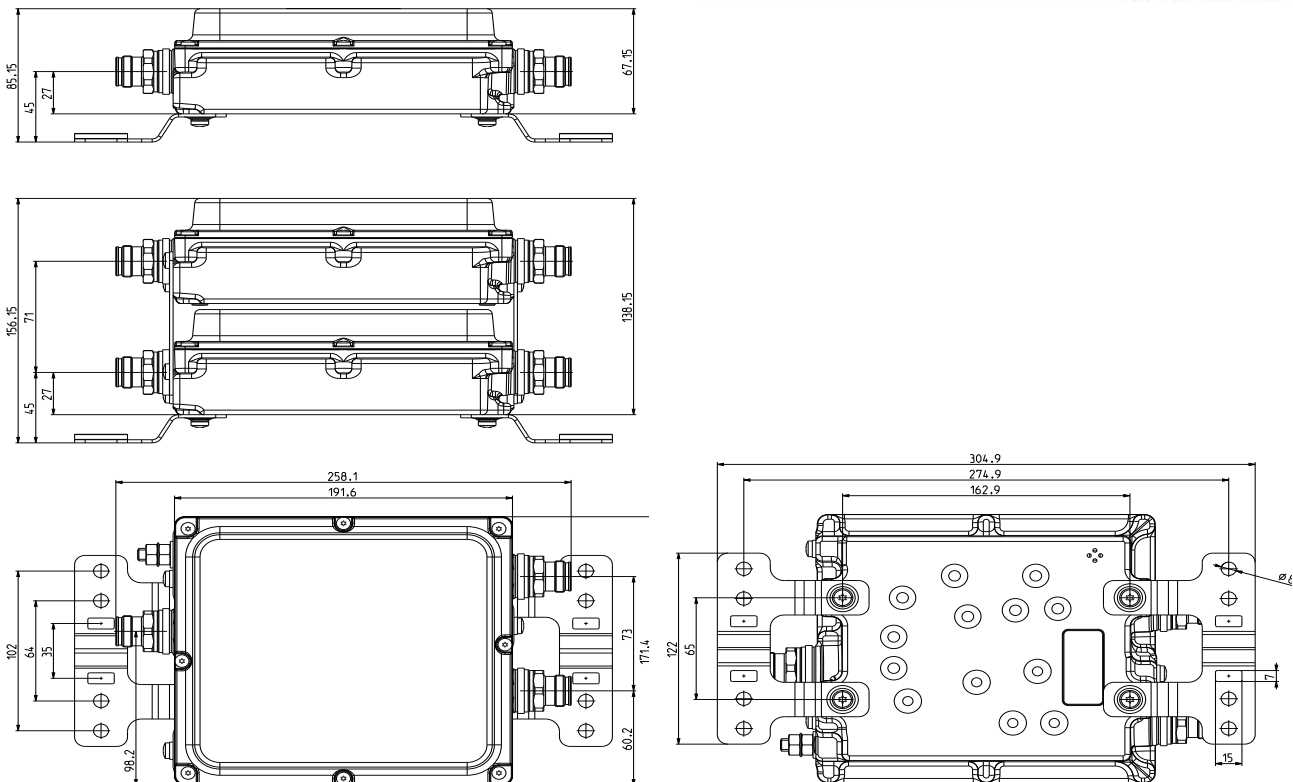
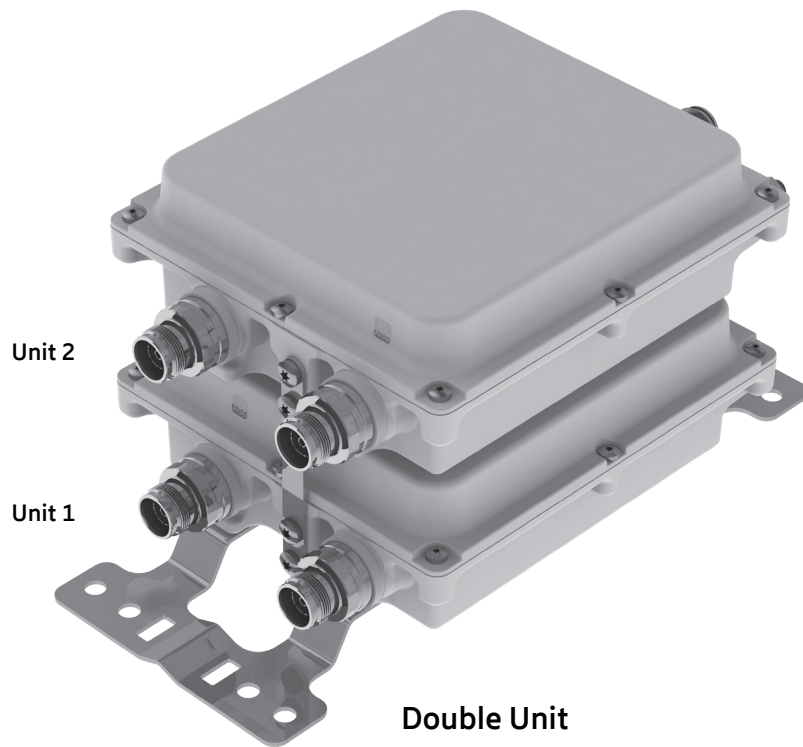


Diagram II



Dimensions in mm





Dual-Band Combiner

78211796

1427–2200 MHz
2300–2690 MHz

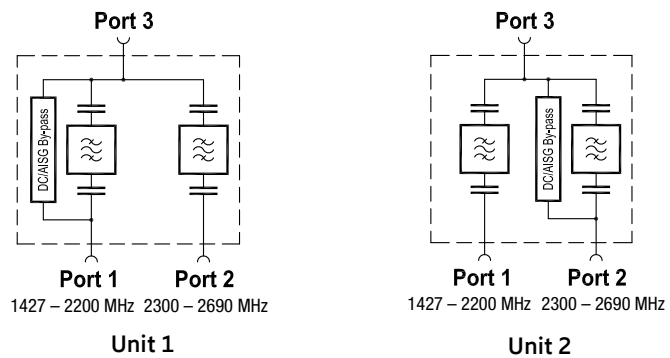
- Can be used as a combiner near the BTS or in a reciprocal function near the antenna
- Very low insertion loss
- Enables feeder sharing
- Designed for co-siting purposes
- Suitable for indoor and outdoor applications
- Wall or mast mounting
- Built-in lightning protection
- External DC stop available as an accessory



ericsson.com/antenna-system



Scan or [click](#)



Product No.		78211796 Double Unit	
Pass band			
Band 1	MHz	1427 – 2200	
Band 2	MHz	2300 – 2690	
Insertion loss			
Port 1 ↔ Port 3	dB	< 0.2 (1427 – 2200 MHz)	
Port 2 ↔ Port 3	dB	< 0.2 (2300 – 2690 MHz)	
Isolation	dB	> 50	
VSWR		< 1.25	
Impedance	Ω	50	
Input power			
Band 1 / Band 2	W	< 300	
Intermodulation products	dBc	< -160 (3 rd order; with 2 x 20 W)	
Temperature range	°C °F	-55 ... +60 -67 ... +140	
Connectors		4.3-10 female	
Application		Indoor or outdoor (IP 66)	
DC/AISG transparency			
Port 1 ↔ Port 3	mA	Unit 1	Unit 2
Port 2 ↔ Port 3	mA	By-pass (max. 2500) Stop	Stop By-pass (max. 2500)
Lightning protection	kA	3, 10/350 μs pulse	
Mounting	mm in	Wall mounting: With 4 screws (max. 8 0.315 diameter) / Mast mounting: With clamp set	
Weight	kg lb	4.6 10.1	
Dimensions (w x h x d)	mm in	192 x 172 x 139 7.6 x 6.8 x 5.5 (without connectors, without mounting brackets)	
Packing size	mm in	392 x 272 x 220 15.4 x 10.7 x 8.7	

Accessories (order separately)

Product No.		Clamp set suitable for most diameter of
734360	mm in	34–60 1.34–2.36
734364	mm in	120–140 4.72–5.51
734365	mm in	45–125 1.77–4.92

Product No.	Description
78210484	50-Ohm load
78211000	DC stop

Typical Attenuation Curves

Diagram I

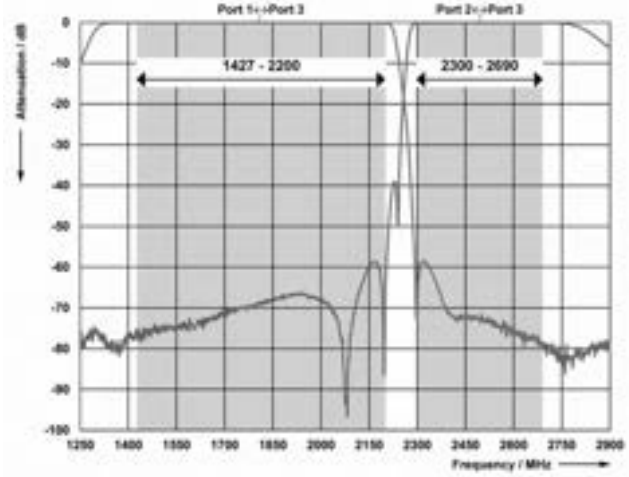
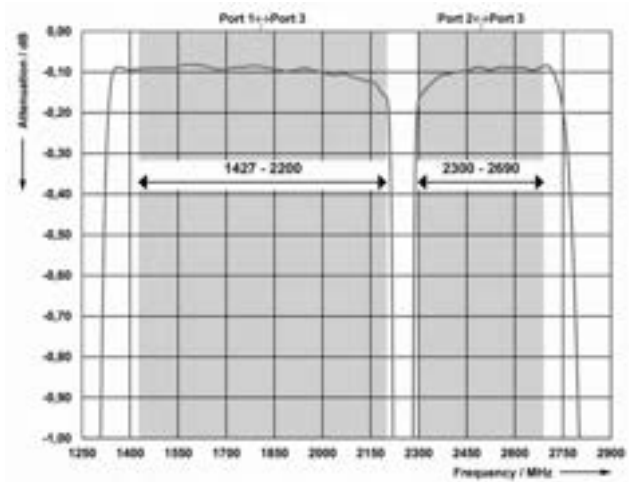
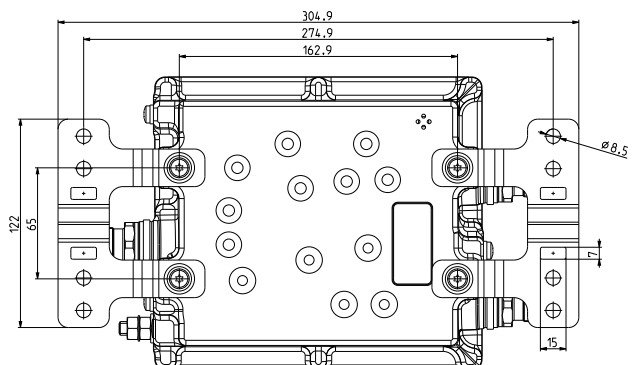
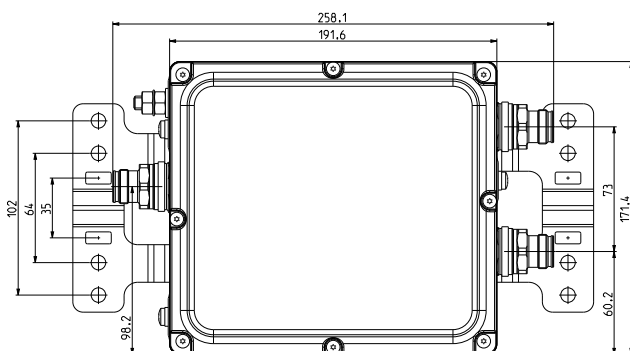
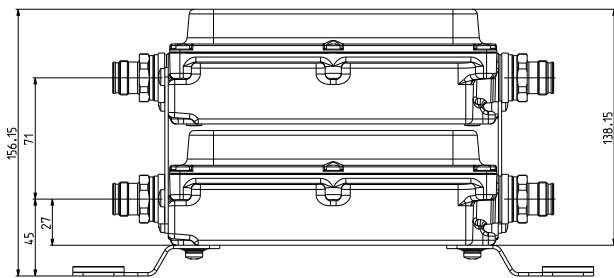
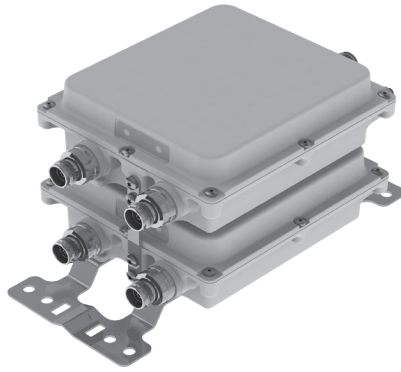


Diagram II



Dimensions in mm



AUTO-
SENSE

Double Unit

Dual-Band Combiner

78211798, 78211798V01

1427–2200 MHz
2300–2690 MHz

- Can be used as a combiner near the BTS or in a reciprocal function near the antenna
- Very low insertion loss
- Enables feeder sharing
- Designed for co-siting purposes
- Integrated Auto-Sense technology for automatic DC / AISG detection and bypass functionality
- Suitable for indoor or outdoor applications
- Wall or mast mounting
- Built-in lightning protection



ericsson.com/antenna-system

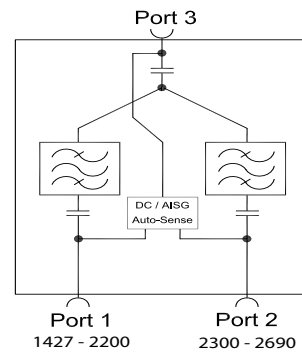


Scan or [click](#)

Priority table for 78211798V01 with Priority Controlled Function

1427–2200 MHz	Priority 2 (lowest)
2300–2690 MHz	Priority 1 (highest)

For more information see Auto-Sense quick guide later in this datasheet.



Product No. DC/AISG transparency 1. First In - First Out Function 2. Priority Controlled Function		78211798 78211798V01 Double Unit
Pass band Band 1 Band 2	MHz MHz	1427 – 2200 2300 – 2690
Insertion loss Port 1 ↔ Port 3 Port 2 ↔ Port 3	dB dB	< 0.2 (1427 – 2200 MHz) < 0.2 (2300 – 2690 MHz)
Isolation	dB	> 50
VSWR		< 1.25
Impedance	Ω	50
Input power Band 1 / Band 2	W	< 300
Intermodulation products	dBc	< -160 (3 rd order; with 2 x 20 W)
Temperature range	°C °F	-55 ... +60 -67 ... +140
Connectors		4.3-10 female
Application		Indoor or outdoor (IP 66)
DC/AISG transparency Port 1 ↔ Port 3 Port 2 ↔ Port 3	mA mA	Auto-Sense (max. 2000) Auto-Sense (max. 2000)
Lightning protection	kA	3, 10/350 μs pulse
Wind load (at Rated Wind Speed 150 km/h 93 mph)	N lbf	frontal: 65 15 lateral: 38 9
Mounting	mm in	Wall mounting: With 4 screws (max. 8 Ø.315 diameter) Mast mounting: With additional clamp set
Weight	kg lb	4.6 10.1
Dimensions	mm in	192 x 172 x 139 7.6 x 6.8 x 5.5 (without connectors, without mounting brackets)
Packing size	mm in	392 x 272 x 220 15.4 x 10.7 x 8.7

Accessories (order separately)

Product No.		Clamp set suitable for most diameter of
734360	mm in	34–60 1.34–2.36
734364	mm in	120–140 4.72–5.51
734365	mm in	45–125 1.77–4.92

Product No.	Description
78210484	50-Ohm load
78211000	DC stop

Typical Attenuation Curves

Diagram I

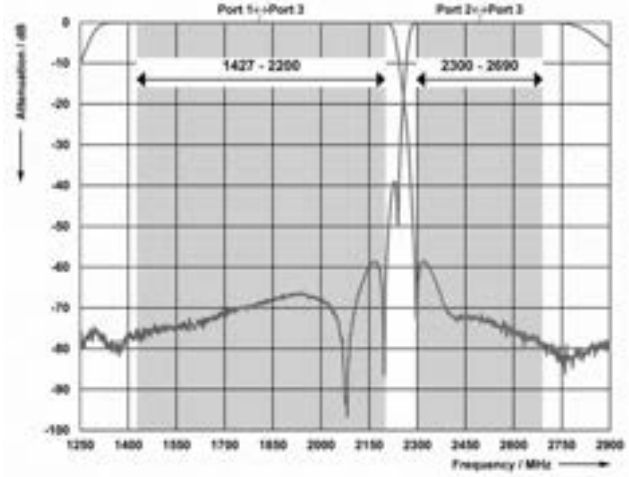
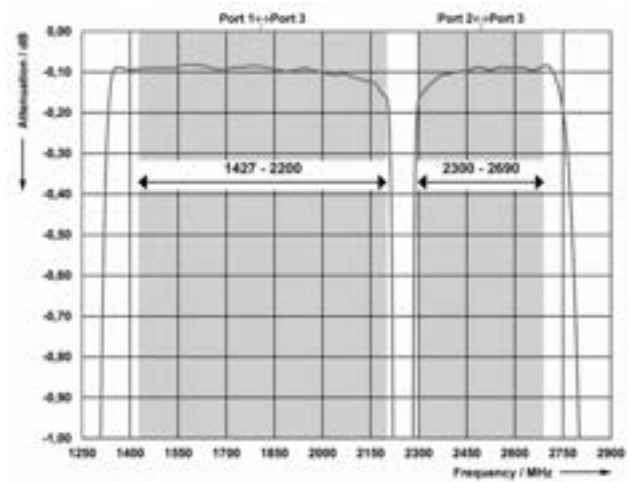
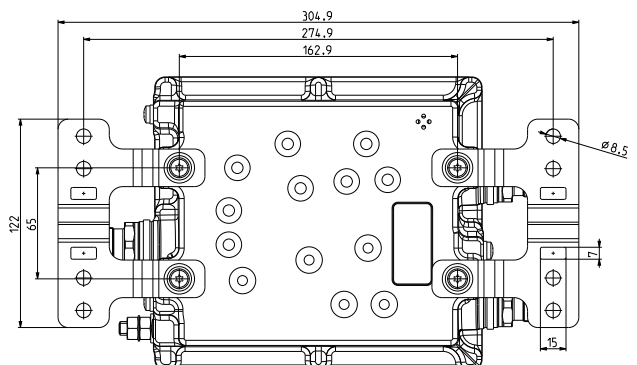
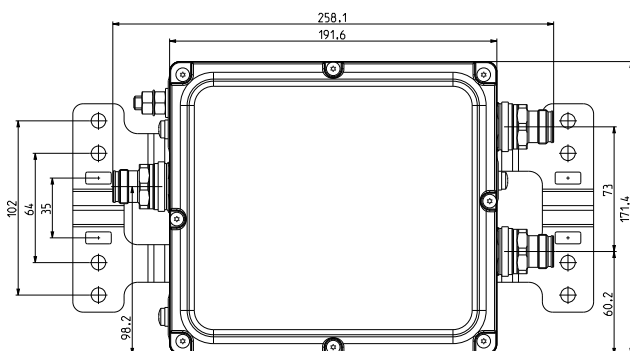
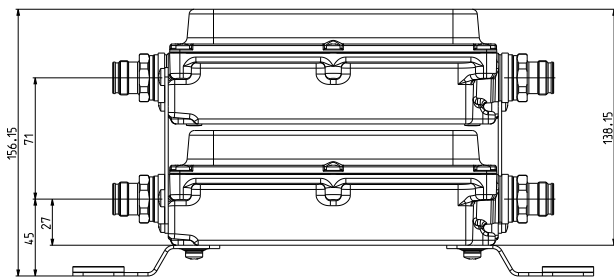


Diagram II



Dimensions in mm





Double Unit



Quad Unit

Dual-Band Combiner

KRF 102 409/1, KRF 102 409/2, KRF 102 409/3

1850–1995 MHz

1695–1780 MHz, 2110–2360 MHz

- Suitable for MSS Radio Solution
- Excellent isolation performance
- Very low insertion loss
- Indoor and outdoor proof
- 4.3–10 connectors



ericsson.com/antenna-system

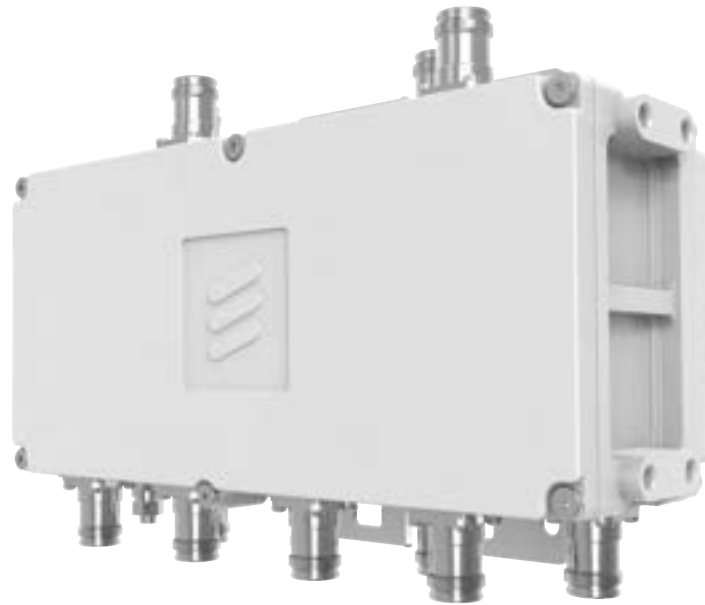


Scan or [click](#)

Product No.		KRF 102 409/1 Double Unit	KRF 102 409/2 Quad Unit	KRF 102 409/3 Double Unit
Electrical Specifications**				
Frequency range - B2/B25: - B66: - B66/B30:	MHz		1850 - 1995 1695 - 1780 2110 - 2360	
Insertion loss - B2/B25: - B66/B30:	dB		< 0.20* < 0.15*	
Return loss	dB		> 20	
Isolation	dB		> 40	
Power handling - Continuous power: - Peak power:	dBm		50 58	
DC configuration			Pass all	
Mechanical Specifications				
Dimensions (H × W × D)	mm	210 × 116 × 43 (excl. connectors)	210 × 116 × 90 (excl. connectors)	210 × 116 × 43 (excl. connectors)
Weight	kg	2.1	4.3	1.95
RF connectors		4.3-10 (f)	4.3-10 (f)	4.3-10 (f)
Mounting options		Pole or wall	Pole or wall	Brackets not included
Environmental Specifications**				
Temperature range, full performance	°C		-40 to +55	
MTBF			> 80 years	
IP class			IP67	
Lightning protection			5 kA 10/350 μs, 20 kA 8/20 μs (Common mode)	
Product safety			International (CB): IEC 62368-1 Europe (CE): EN 62368-1 North America (ETL): CSA/UL 62368-1	

* Typical values

** Common values for all variants



Quad Unit

Dual-Band Combiner

KRF 102 407/2

2300–2400 MHz

2496–2690 MHz

- Easy and fast installation
- Low insertion loss
- Rail mounting is possible
- Wall mounting brackets and pole clamps are included (/2)
- Indoor and outdoor proof
- Can be used with both Ericsson and non-Ericsson RBSs



ericsson.com/antenna-system



Scan or [click](#)

Product No.		KRF 102 407/2 Quad Unit with bracket
Electrical Specifications		
Frequency range - Low port: - High port:	MHz	2300 – 2400 2496 – 2690
Insertion loss - Low port: - High port:	dB	< 0.25 < 0.20
Return loss	dB	> 20
Isolation	dB	> 55
Intermodulation - IM3 at 2×43 dBm: - IM5 at 2×43 dBm:	dBm	< -106 < -121
Max power handling (continuous)	W	50 per port (100 W at COM port)
DC + AISG transparency - Maximum DC voltage - Maximum DC current	V A	40 3
DC configuration		Bypass
Mechanical Specifications		
Dimensions (H × W × D)	mm	95 × 285 × 134
Weight (approx.)	kg	5.6
Volume	L	3.6
RF connectors		4.3–10 (f)
Mounting alternatives		Rail, pole, or wall mounting (Rail bracket ordered separately)
Maximum wind load impact (at 50 m/s)	N	91
Environmental Specifications		
Temperature range, full performance	°C	-20 to +80
IP class		IP67
Lightning protection		5 kA 10/350 μs
Product safety		International (CB): IEC 62368-1 Europe (CE): EN 62368-1



Double Unit

Dual-Band Combiner

KRF 102 432/4

2540–2560 MHz, 2660–2680 MHz
2600–2615 MHz

- High out of band refection
- Low insertion loss
- DC and AISG signaling by-pass
- Wall mounting brackets and pole clamps are included
- Rail mounting is possible

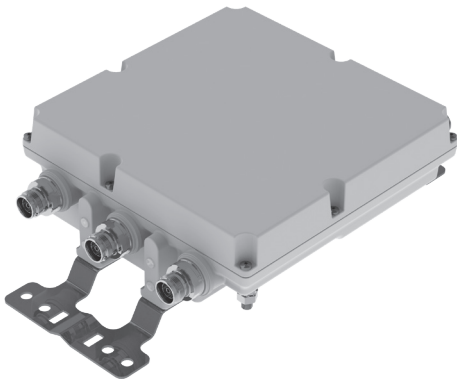


ericsson.com/antenna-system

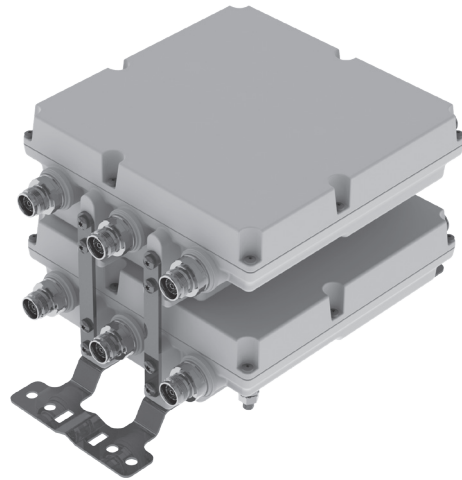


Scan or [click](#)

Product No.		KRF 102 432/4
Product Name		DBC B7sub+B38sub (4-2)
Electrical Specifications		
Frequency range	MHz	
- Low port (B7 UL):		2540 – 2560
(B7 DL):		2660 – 2680
- High port (B38):		2600 – 2615
Insertion loss	dB	
- Low port (B7 UL/DL):		≤ 0.5
- High port:		≤ 0.5
Return loss	dB	> 20
Isolation	dB	> 50
Intermodulation IM3 at 2×43 dBm:	dBm	< -117
Power handling	W	250 (CW) max. per port
Maximum DC voltage:	V	40
Maximum DC current:	A	3
DC By-pass:		Bypass on all ports
Mechanical Specifications		
Dimensions (H × W × D)	mm	165 × 265 × 48
Weight	kg	3.5
RF connectors		4.3–10 (f)
Mounting options		Rail, pole, or wall mounting (Rail bracket ordered separately)
Environmental Specifications		
Temperature range, full performance	°C	
- Operational:		-40 to +55
- Non-destructive:		-40 to +70
IP class		IP67
Lightning protection		5 kA 10/350 μs, 20 kA μs (Common Mode)
Product safety		International (CB): IEC 62368-1 Europe (CE): EN 62368-1 North America (ETL): CSA/UL 62368-1

AUTO-
SENSE

Single Unit



Double Unit

Triple-Band Combiner

78211820, 78211821

690–862 MHz
880–960 MHz
1427–3800 MHz

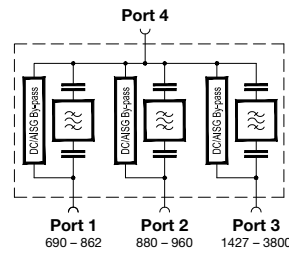
- Can be used as a combiner near the BTS or in a reciprocal function near the antenna
- Very low insertion loss
- Enables feeder sharing
- Designed for co-siting purposes
- Available as a single unit, or for XPol antennas as double unit
- Suitable for indoor and outdoor applications
- Wall or mast mounting
- Built-in lightning protection
- External DC stop available as an accessory



ericsson.com/antenna-system



Scan or [click](#)



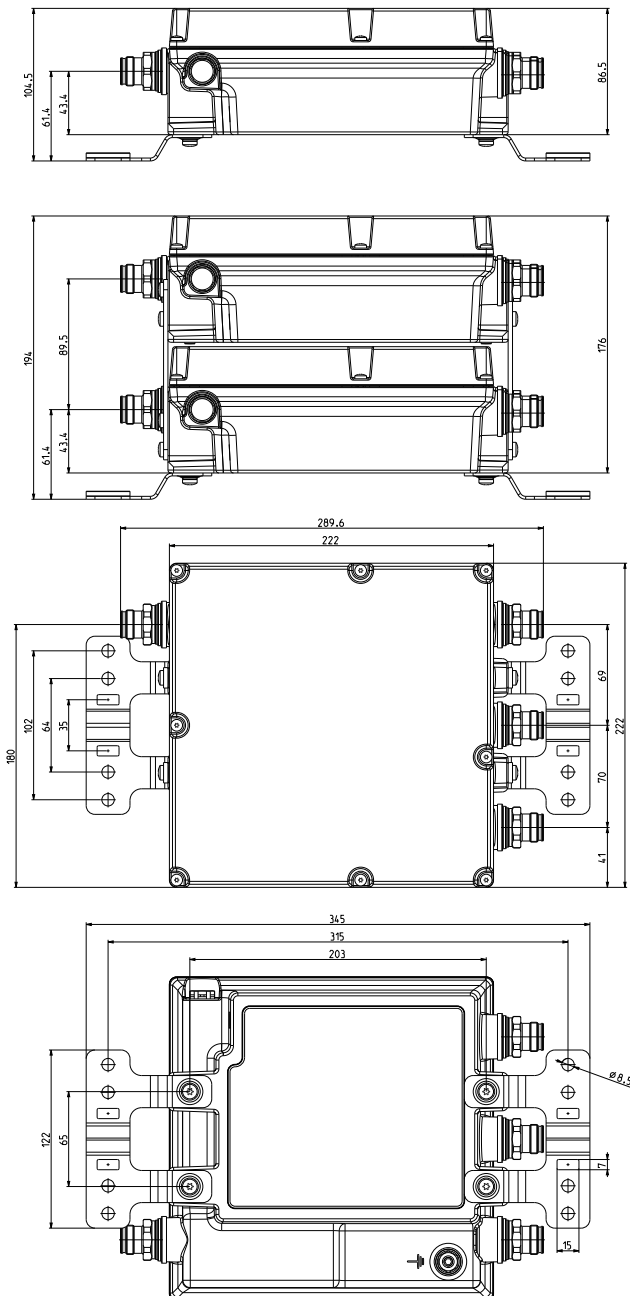
Product No.		78211820 Single Unit
		78211821 Double Unit
Pass band		
Band 1	MHz	690 – 862
Band 2	MHz	880 – 960
Band 3	MHz	1427 – 3800
Insertion loss		
Port 1 ↔ Port 4	dB	< 0.5 (690 – 862 MHz)
Port 2 ↔ Port 4	dB	< 0.5 (880 – 960 MHz)
Port 3 ↔ Port 4	dB	< 0.15 (1427 – 3800 MHz)
Isolation	dB	> 45
VSWR		< 1.25
Impedance	Ω	50
Input power		
Band 1 / Band 2 / Band 3	W	< 200 / < 200 / < 200 (1427 – 2700 MHz); < 100 (2700 – 3800 MHz)
Intermodulation products	dBc	< -160 (3 rd order; with 2 x 20 W)
Temperature range	°C °F	-40 ... +60 -40 ... +140
Connectors		4.3-10 female (long neck)
Application		Indoor or outdoor (IP 66)
DC/AISG transparency		
Port 1 ↔ Port 4	mA	By-pass (max. 2500)
Port 2 ↔ Port 4	mA	By-pass (max. 2500)
Port 3 ↔ Port 4	mA	By-pass (max. 2500)
Lightning protection	kA	3, 10/350 μs pulse
Mounting	mm in	Wall mounting: With 4 screws (max. 8 0.315 diameter) Mast mounting: With included clamp set
Weight	kg lb	Single Unit: 5 11.0 / Double Unit: 9.9 21.8
Packing size	mm in	Single Unit: 405 x 295 x 170 15.95 x 11.61 x 6.69 Double Unit: 405 x 295 x 260 15.95 x 11.61 x 10.24
Dimensions (w x h x d)	mm in	Single Unit: 222 x 222 x 86.5 8.7 x 8.7 x 3.4 Double Unit: 222 x 222 x 176 8.7 x 8.7 x 6.9 (without connectors, without mounting brackets)

Accessories (order separately)

Product No.		Clamp set suitable for mast diameter of
734360	mm in	34–60 1.34–2.36
734364	mm in	120–140 4.72–5.51
734365	mm in	45–125 1.77–4.92

Product No.	Description
78210484	50-Ohm load
78211000	DC stop

Dimensions in mm



Typical Attenuation Curves

Diagram I

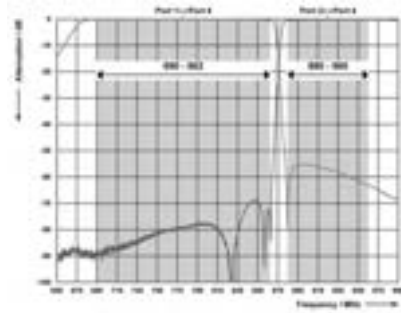


Diagram II

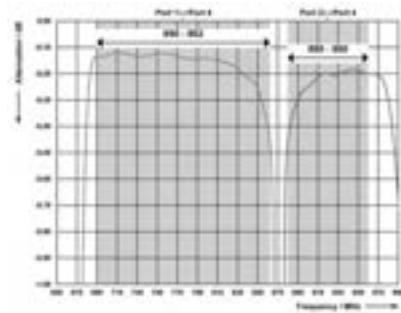


Diagram III

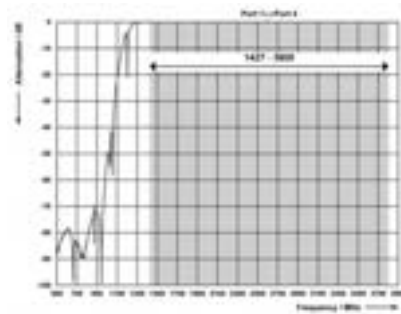
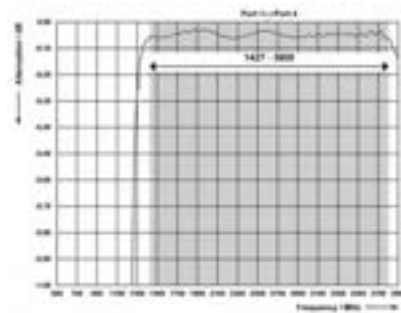
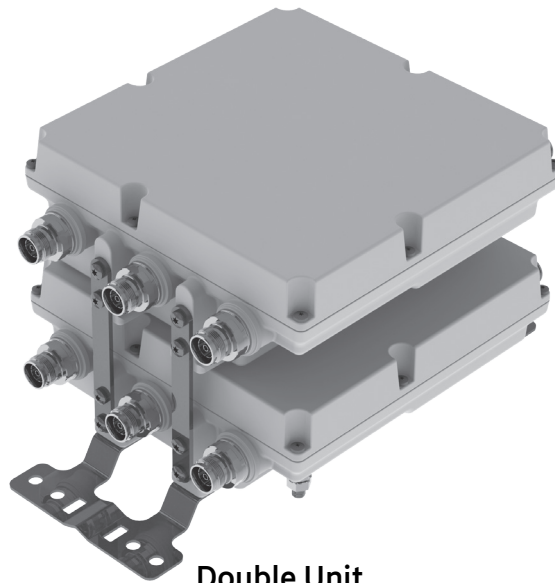


Diagram IV



AUTO-
SENSE

Double Unit

Triple-Band Combiner

78211828, 78211828V01

690–862 MHz
880–960 MHz
1427–3800 MHz

- Can be used as a combiner near the BTS or in a reciprocal function near the antenna
- Very low insertion loss
- Enables feeder sharing
- Designed for co-siting purposes
- Integrated Auto-Sense technology for automatic DC / AISG detection and bypass functionality
- Suitable for indoor and outdoor applications
- Wall or mast mounting
- Built-in lightning protection



ericsson.com/antenna-system

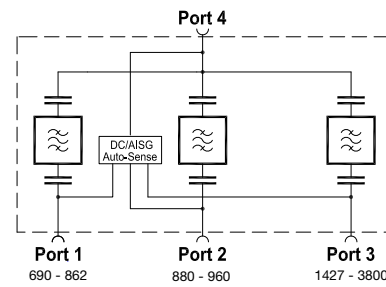


Scan or [click](#)

Priority table for 78211828V01 with Priority Controlled Function

690–862 MHz	Priority 2
880–960 MHz	Priority 3 (lowest)
1427–3800 MHz	Priority 1 (highest)

For more information see Auto-Sense quick guide later in this datasheet.



Product No. DC/AISG transparency 1. First In - First Out Function 2. Priority Controlled Function		78211828 78211828V01 Double Unit
Pass band		
Band 1	MHz	690 – 862
Band 2	MHz	880 – 960
Band 3	MHz	1427 – 3800
Insertion loss		
Port 1 ↔ Port 4	dB	< 0.4 (690 – 852 MHz); < 0.6 (852 – 862 MHz)
Port 2 ↔ Port 4	dB	< 0.6 (880 – 890 MHz); < 0.4 (890 – 960 MHz)
Port 3 ↔ Port 4	dB	< 0.15 (1427 – 3800 MHz)
Isolation		
Port 1 ↔ Port 2	dB	> 55 (690 – 862 MHz); > 50 (880 – 960 MHz)
Port 1 ↔ Port 3	dB	> 65 (690 – 862 MHz); > 75 (1427 – 3800 MHz)
Port 2 ↔ Port 3	dB	> 60 (880 – 960 MHz); > 75 (1427 – 3800 MHz)
VSWR		< 1.25
Impedance	Ω	50
Input power		
Band 1 / Band 2 / Band 3	W	< 200 / < 200 / < 200 (1427 – 2700 MHz); < 100 (2700 – 3800 MHz)
Intermodulation products	dBc	< -160 (3 rd order; with 2 x 20 W)
Temperature range	°C °F	-40 ... +60 -40 ... +140
Connectors		4.3-10 female
Application		Indoor or outdoor (IP 66)
DC/AISG transparency		
Port 1, 2, 3 ↔ Port 4	mA	Auto-Sense (max. 2000)
Lightning protection	kA	3, 10/350 μs pulse
Mounting		Wall mounting: With 4 screws (max. 8 0.315 diameter) / Mast mounting: With clamp set
Weight	kg lb	9.9 21.8
Dimensions (w x h x d)	mm in	222 x 222 176 8.7 x 8.7 x 6.9 (without connectors, without mounting brackets)
Packing size	mm in	405 x 295 x 260 16.0 x 11.6 x 10.3

Accessories (order separately)

Product No.		Clamp set suitable for mast diameter of
734360	mm in	34–60 1.34–2.36
734364	mm in	120–140 4.72–5.51
734365	mm in	45–125 1.77–4.92

Product No.	Description
78210484	50-Ohm load
78211000	DC stop

Typical Attenuation Curves

Diagram I

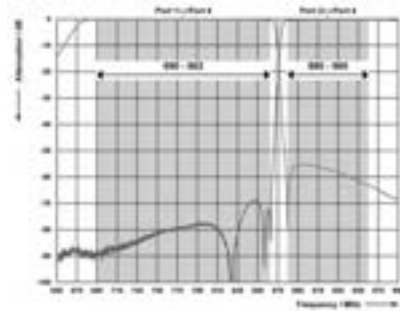


Diagram II

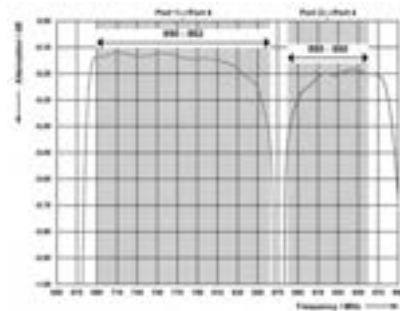


Diagram III

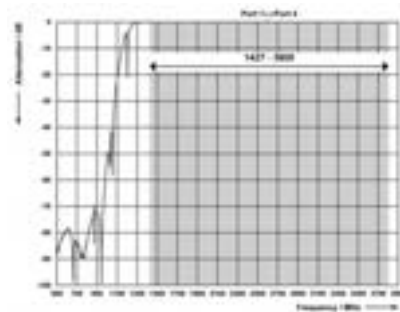
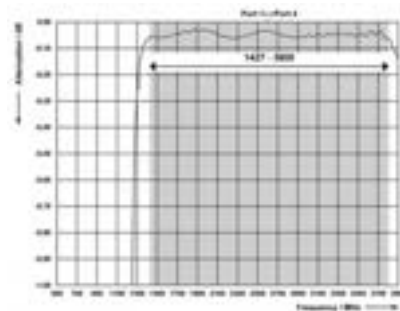
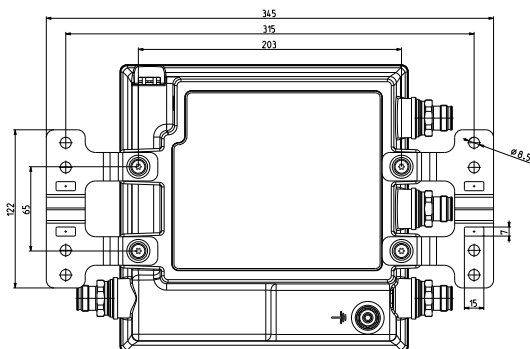
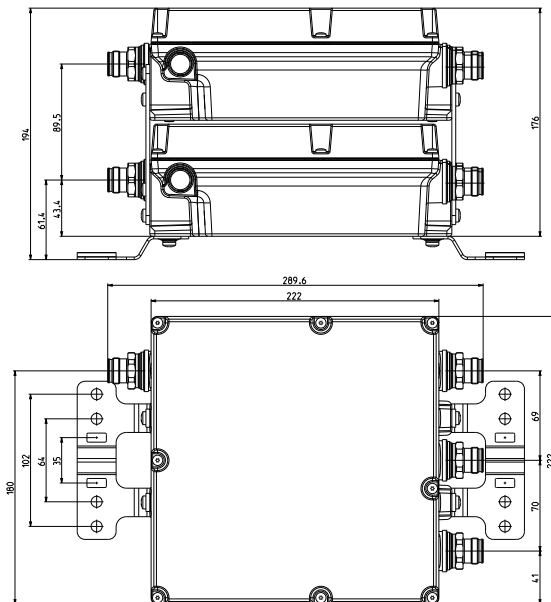


Diagram IV



Dimensions in mm





Single Unit



Double Unit

Triple-Band Combiner

78211490, 78211491

703–788 MHz
791–960 MHz
1427–3800 MHz

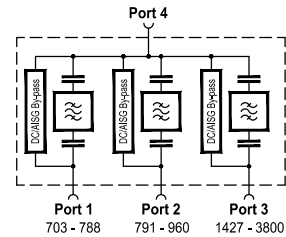
- Can be used as a combiner near the BTS or in a reciprocal function near the antenna
- Very low insertion loss
- Enables feeder sharing
- Designed for co-siting purposes
- Available as a single unit, or for XPol antennas as double unit
- Suitable for indoor and outdoor applications
- Wall or mast mounting
- Built-in lightning protection
- External DC stop available as an accessory



ericsson.com/antenna-system



Scan or [click](#)



Product No.		78211490 Single Unit
		78211491 Double Unit
Pass band		
Band 1	MHz	703 – 788
Band 2	MHz	791 – 960
Band 3	MHz	1427 – 3800
Insertion loss		
Port 1 ↔ Port 4	dB	< 0.7 (703 – 785 MHz) / < 1.0 (785 – 787 MHz) / < 1.5 (787 – 788 MHz)
Port 2 ↔ Port 4	dB	< 1.5 (791 – 792 MHz) / < 1.0 (792 – 800 MHz) / < 0.7 (800 – 960 MHz)
Port 3 ↔ Port 4	dB	< 0.2 (1427 – 3800 MHz)
Isolation	dB	> 40
VSWR		< 1.25
Impedance	Ω	50
Input power		
Band 1 / Band 2 / Band 3	W	< 200 / < 200 / < 200 (1427 – 2700 MHz); < 100 (2700 – 3800 MHz)
Intermodulation products	dBc	-160 (3 rd order; with 2 x 20 W)
Temperature range	°C F°	-40 ... +60 -40 ... +140
Connectors		4.3-10 female
Application		Indoor or outdoor (IP 66)
DC/AISG transparency		
Port 1 ↔ Port 4	mA	By-pass (max. 2500)
Port 2 ↔ Port 4	mA	By-pass (max. 2500)
Port 3 ↔ Port 4	mA	By-pass (max. 2500)
Lightning protection	kA	3, 10/350 μs pulse
Mounting		Wall mounting: With 4 screws (max. 8 mm diameter) Mast mounting: With additional clamp set
Weight	kg lb	Single Unit: 6.2 13.7 / Double Unit: 12.0 26.5
Dimensions (w x h x d)	mm in	Single unit: 258 x 301 x 88 10.2 x 11.9 x 3.5 Double unit: 258 x 301 x 178 10.2 x 11.9 x 7.0 (without connectors, without mounting brackets)
Packing size	mm in	Single unit: 477 x 334 x 175 18.8 x 13.1 x 6.9 Double unit: 477 x 334 x 265 18.8 x 13.1 x 10.4

Accessories (order separately)

Product No.		Clamp set suitable for mast diameter of
734360	mm in	34–60 1.34–2.36
734364	mm in	120–140 4.72–5.51
734365	mm in	45–125 1.77–4.92

Product No.	Description
78210484	50-Ohm load
78211000	DC stop

Typical Attenuation Curves

Diagram I

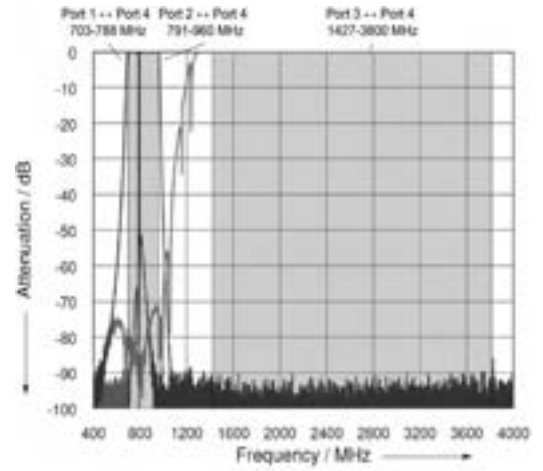
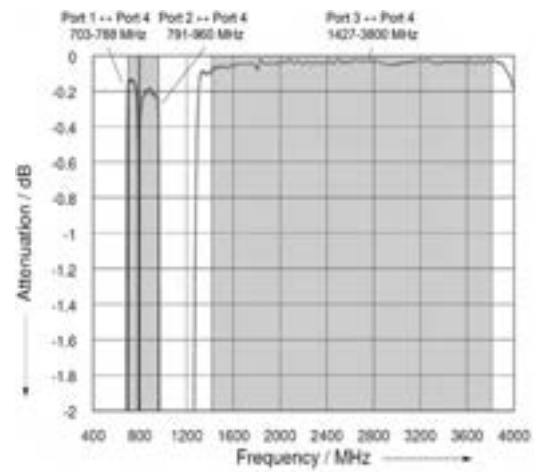
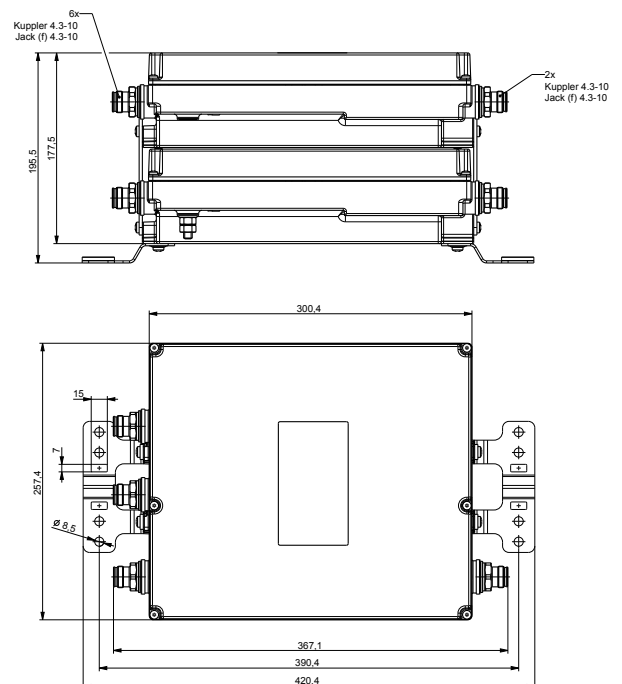
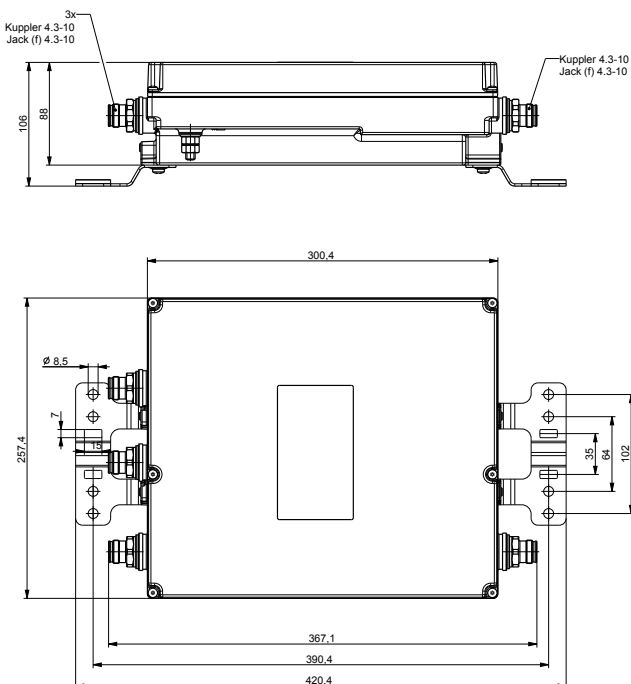
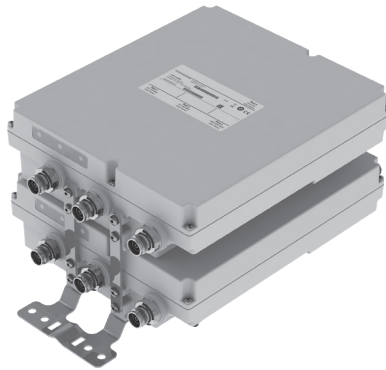


Diagram II



Dimensions in mm



AUTO-
SENSE

Double Unit

Triple-Band Combiner

78211498, 78211498V01

703–788 MHz
791–960 MHz
1427–3800 MHz

- Can be used as a combiner near the BTS or in a reciprocal function near the antenna
- Very low insertion loss
- Enables feeder sharing
- Designed for co-siting purposes
- Integrated Auto-Sense technology for automatic DC / AISG detection and bypass functionality
- Suitable for indoor or outdoor applications
- Wall or mast mounting
- Built-in lightning protection



ericsson.com/antenna-system

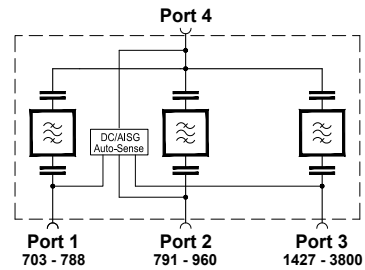


Scan or [click](#)

Priority table for 78211498V01 with Priority Controlled Function

703–788 MHz	Priority 3 (lowest)
791–960 MHz	Priority 2
1427–3800 MHz	Priority 1 (highest)

For more information see Auto-Sense quick guide later in this datasheet.



Product No. DC/AISG transparency 1. First In - First Out Function 2. Priority Controlled Function		78211498 78211498V01 Double Unit
Pass band Band 1 Band 2 Band 3	MHz MHz MHz	703 – 788 791 – 960 1427 – 3800
Insertion loss Port 1 ↔ Port 4 Port 2 ↔ Port 4 Port 3 ↔ Port 4	dB dB dB	< 0.7 (703 – 785 MHz) / < 1.0 (785 – 787 MHz) / < 1.5 (787 – 788 MHz) < 1.5 (791 – 792 MHz) / < 1.0 (792 – 800 MHz) / < 0.7 (800 – 960 MHz) < 0.2 (1427 – 3800 MHz)
Isolation	dB	> 40
VSWR		< 1.25
Impedance	Ω	50
Input power Band 1 / Band 2 / Band 3	W	< 200 / < 200 / < 200 (1427 – 2700 MHz); < 100 (2700 – 3800 MHz)
Intermodulation products	dBc	< -160 (3 rd order; with 2 x 20 W)
Temperature range	°C °F	-40 ... +60 -40 ... +140
Connectors		4.3-10 female
Application		Indoor or outdoor (IP 66)
DC/AISG transparency Port 1, 2, 3 ↔ Port 4	mA	Auto-Sense (max. 2000)
Lightning protection	kA	3, 10/350 μs pulse
Mounting	mm in	Wall mounting: With 4 screws (max. 8 0.315 diameter) Mast mounting: With additional clamp set
Weight	kg lb	12.0 26.5
Dimensions (w x h x d)	mm in	258 x 301 x 178 10.2 x 11.9 x 7.0 (without connectors, without mounting brackets)
Packing size	mm in	477 x 334 x 265 18.8 x 13.1 x 10.4

Accessories (order separately)

Product No.		Clamp set suitable for mast diameter of
734360	mm in	34–60 1.34–2.36
734364	mm in	120–140 4.72–5.51
734365	mm in	45–125 1.77–4.92

Product No.	Description
78210484	50-Ohm load
78211000	DC stop

Typical Attenuation Curves

Diagram I

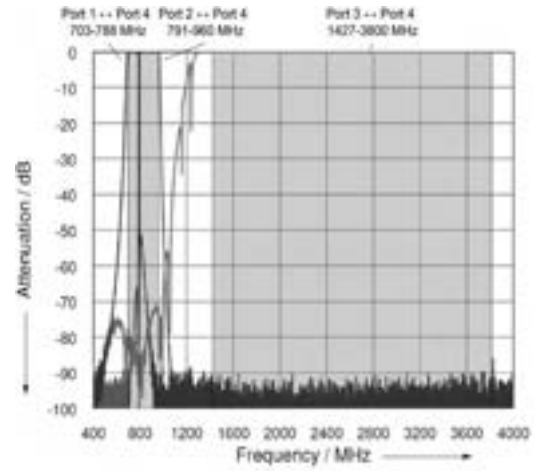
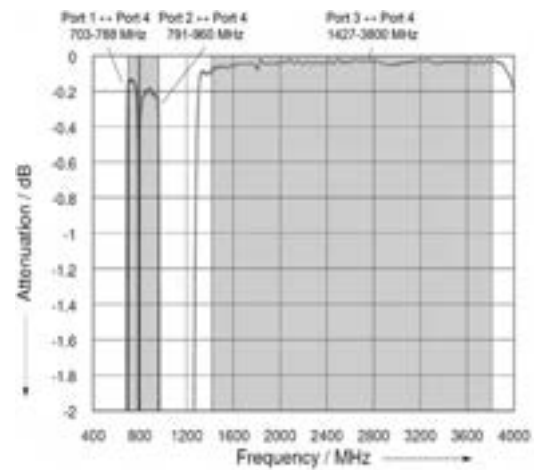
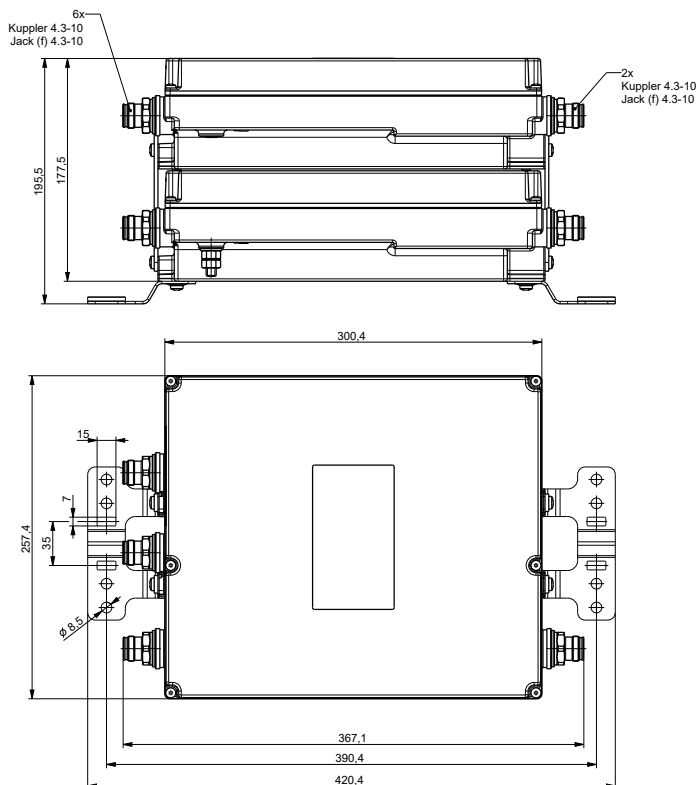
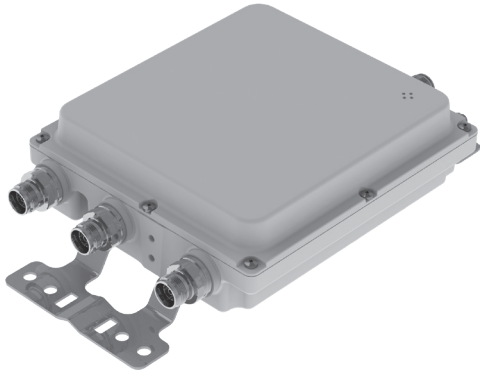


Diagram II

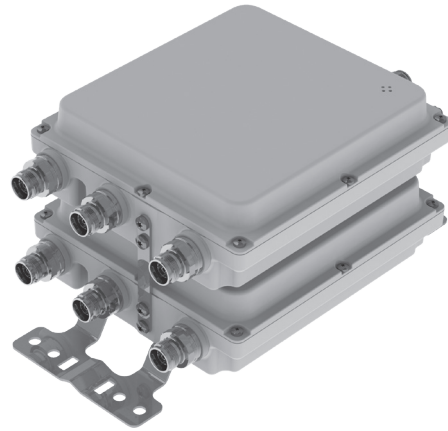


Dimensions in mm





Single Unit



Double Unit

Triple-Band Combiner

78211450, 78211451,
78211452, 78211453

380–960 MHz
1427–2200 MHz
2300–2690 MHz

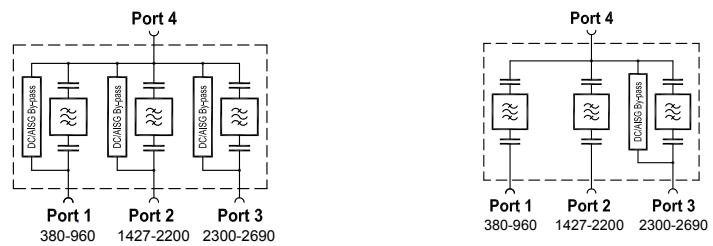
- Can be used as a combiner near the BTS or in a reciprocal function near the antenna
- Very low insertion loss
- Enables feeder sharing
- Designed for co-siting purposes
- Available as a single unit, or for XPol antennas as double unit
- Suitable for indoor and outdoor applications
- Wall or mast mounting
- Built-in lightning protection
- External DC stop available as an accessory



ericsson.com/antenna-system



Scan or [click](#)



Product No.		78211450 Single Unit	clamps included	78211452 Single Unit
		78211451 Double Unit		78211453 Double Unit
Pass band				
Band 1	MHz	380 – 960		
Band 2	MHz	1427 – 2200		
Band 3	MHz	2300 – 2690		
Insertion loss				
Port 1 ↔ Port 4	dB	< 0.2 (380 – 960 MHz)		
Port 2 ↔ Port 4	dB	< 0.2 (1427 – 2200 MHz)		
Port 3 ↔ Port 4	dB	< 0.2 (2300 – 2690 MHz)		
Isolation	dB	> 50		
VSWR		< 1.25		
Impedance	Ω	50		
Input power				
Band 1 / Band 2 / Band 3	W	< 300 / < 200 / < 200		
Intermodulation products	dBc	< -160 (3 rd order; with 2 x 20 W), exempt from TETRA 360 – 470 MHz: < -150		
Temperature range	°C °F	-40 ... +60 -40 ... +140		
Connectors		4.3-10 female		
Application		Indoor or outdoor (IP 66)		
DC/AISG transparency				
Port 1 ↔ Port 4	mA	By-pass (max. 2500)	Stop	
Port 2 ↔ Port 4	mA	By-pass (max. 2500)	Stop	
Port 3 ↔ Port 4	mA	By-pass (max. 2500)	By-pass (max. 2500)	
Lightning protection	kA	3, 10/350 μs pulse		
Mounting	mm in	Wall mounting: With 4 screws (max. 8 0.315 diameter) Mast mounting: With included clamp set		
Weight	kg lb	Single unit: 3.5 7.7 / Double unit: 6.9 15.2		
Dimensions (w x h x d)	mm in	Single Unit: 215 x 197 x 68 8.5 x 7.8 x 2.7 Double Unit: 215 x 197 x 139 8.5 x 7.8 x 5.5 (without connectors, inclusive mounting brackets)		
Packing size	mm in	Single Unit: 392 x 272 x 165 15.4 x 10.7 x 6.5 Double Unit: 392 x 272 x 240 15.4 x 10.7 x 9.5		

Accessories (included)

Product No.		Clamp set suitable for most diameter of
734365	mm in	45–125 1.77–4.92

Accessories (order separately)

Product No.		Description
78210484		50-Ohm load
78211000		DC stop
734360	mm in	Clamp set: 34–60 1.34–2.36
734364	mm in	Clamp set: 120–140 4.72–5.51

Typical Attenuation Curves

Diagram I

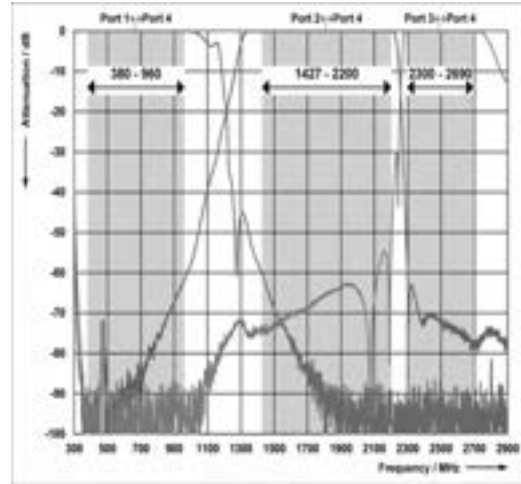
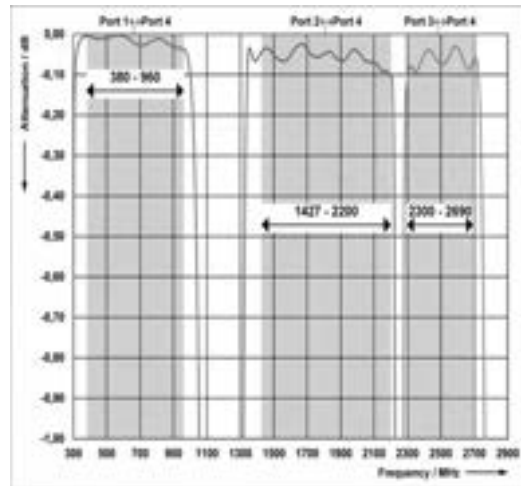
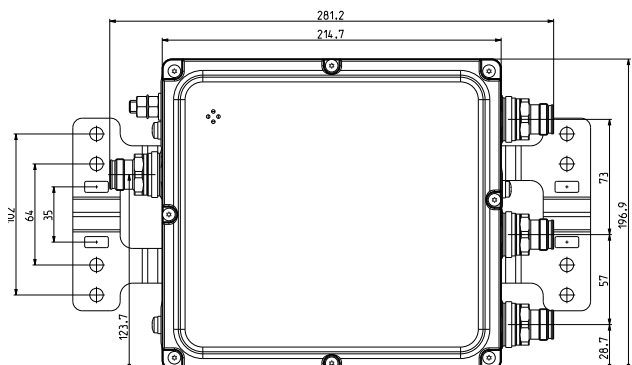
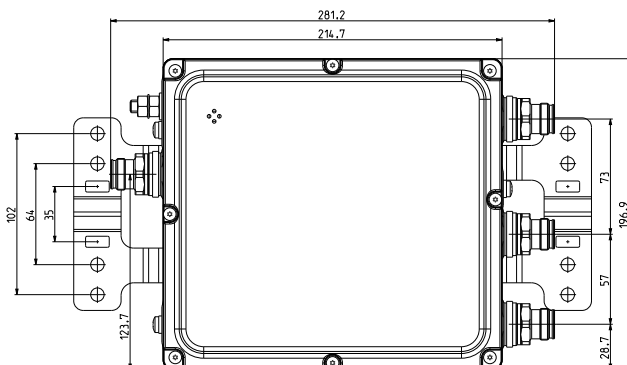
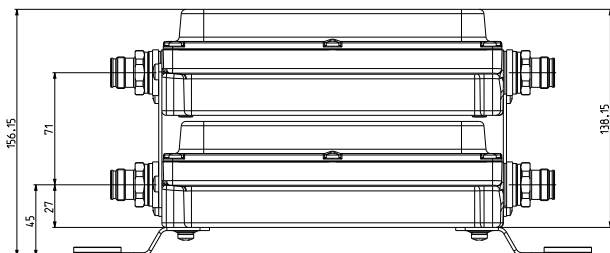
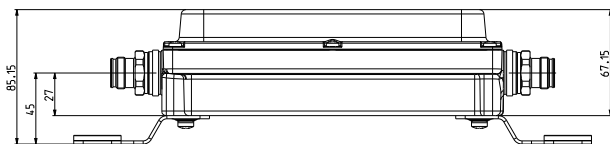
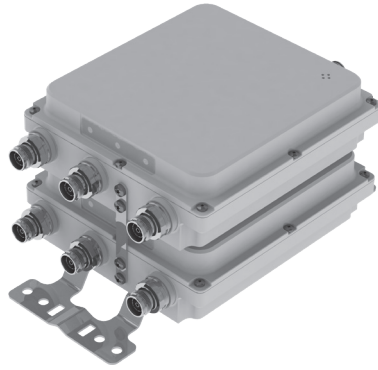


Diagram II



Dimensions in mm



AUTO-
SENSE

Double Unit

Triple-Band Combiner

78211458, 78211458V01

380–960 MHz
1427–2200 MHz
2300–2690 MHz

- Can be used as a combiner near the BTS or in a reciprocal function near the antenna
- Very low insertion loss
- Enables feeder sharing
- Designed for co-siting purposes
- Integrated Auto-Sense technology for automatic DC / AISG detection and bypass functionality
- Suitable for indoor or outdoor applications
- Wall or mast mounting
- Built-in lightning protection



ericsson.com/antenna-system

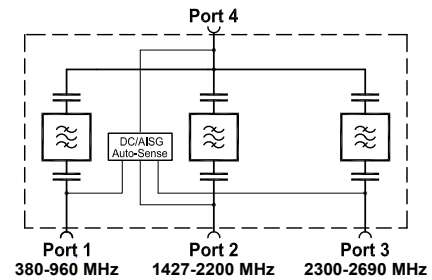


Scan or [click](#)

Priority table for 78211458V01 with Priority Controlled Function

380–960 MHz	Priority 2
1427–2200 MHz	Priority 3 (lowest)
2300–2690 MHz	Priority 1 (highest)

For more information see Auto-Sense quick guide later in this datasheet.



Product No. DC/AISG transparency 1. First In - First Out Function 2. Priority Controlled Function		78211458 78211458V01 Double Unit	<u>clamps</u> <u>included</u>
Pass band			
Band 1	MHz	380 – 960	
Band 2	MHz	1427 – 2200	
Band 3	MHz	2300 – 2690	
Insertion loss			
Port 1 ↔ Port 4	dB	< 0.2 (380 – 960 MHz)	
Port 2 ↔ Port 4	dB	< 0.2 (1427 – 2200 MHz)	
Port 3 ↔ Port 4	dB	< 0.2 (2300 – 2690 MHz)	
Isolation	dB	> 50	
VSWR		< 1.25	
Impedance	Ω	50	
Input power			
Band 1 / Band 2 / Band 3	W	< 300 / < 200 / < 200	
Intermodulation products	dBc	< -160 (3 rd order; with 2 x 20 W), exempt from TETRA 360 – 470 MHz: < -150	
Temperature range	°C °F	-40 ... +60 -40 ... +140	
Connectors		4.3-10 female	
Application		Indoor or outdoor (IP 66)	
DC/AISG transparency			
Port 1, 2, 3 ↔ Port 4	mA	Auto-Sense (max. 2000)	
Lightning protection	kA	3, 10/350 μs pulse	
Mounting	mm in	Wall mounting: With 4 screws (max. 8 0.315 diameter) / Mast mounting: With included clamp set	
Weight	kg lb	7.2 15.9	
Dimensions (w x h x d)	mm in	215 x 197 x 139 8.5 x 7.8 x 5.5 (without connectors, without mounting brackets)	
Packing Size	mm in	392 x 272 x 240 15.4 x 10.7 x 9.4	

Accessories (included)

Product No.		Clamp set suitable for mast diameter of
734365	mm in	45–125 1.77–4.92

Accessories (order separately)

Product No.		Description
78210484		50-Ohm load
78211000		DC stop
734360	mm in	Clamp set: 34–60 1.34–2.36
734364	mm in	Clamp set: 120–140 4.72–5.51

Typical Attenuation Curves

Diagram I

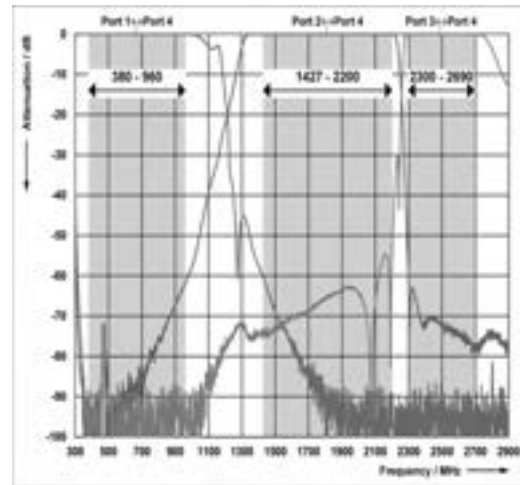
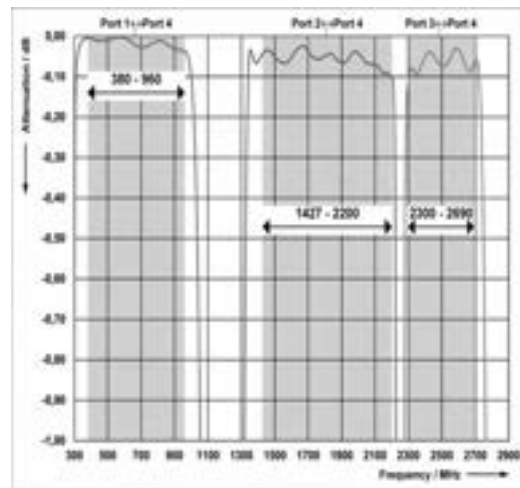
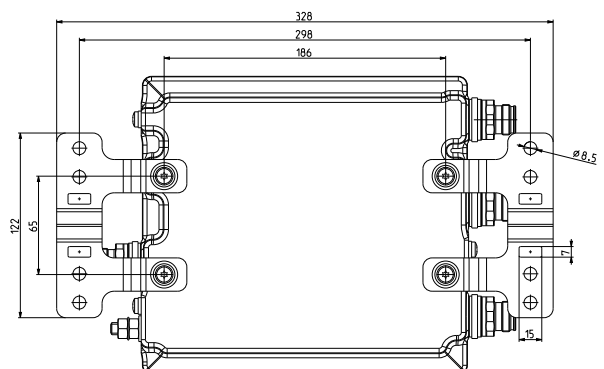
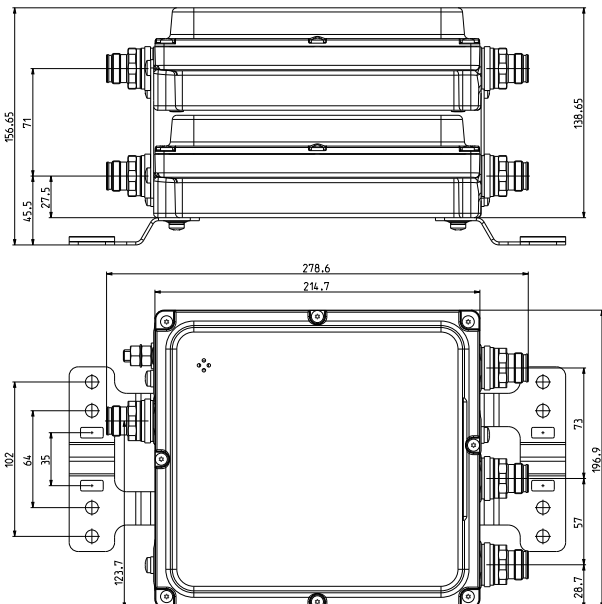
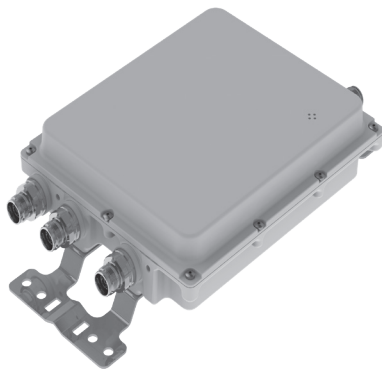


Diagram II

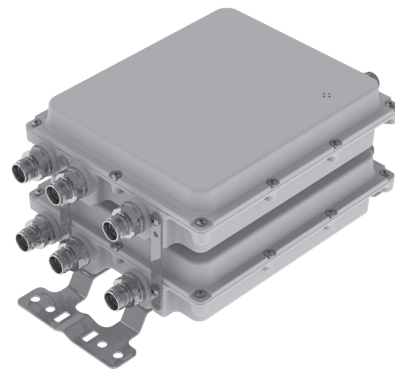


Dimensions in mm





Single Unit



Double Unit

Triple-Band Combiner

78211560, 78211561,
78211562, 78211563

380–960 MHz
1427–1880 MHz
1920–2690 MHz

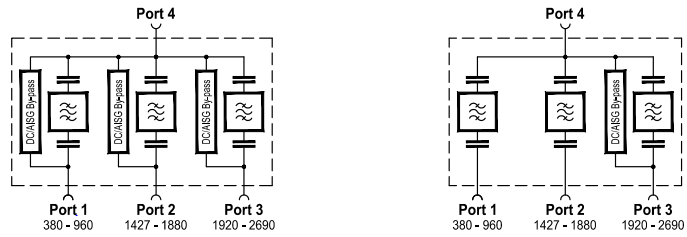
- Designed for co-siting purposes
- Enables feeder sharing
- Can be used as a combiner near the BTS or in a reciprocal function near the antenna
- Suitable for indoor or outdoor applications
- Wall or mast mounting Very low insertion loss
- Available as a single unit, or for XPol antennas as double unit
- Built-in lightning protection
- External DC stop available as an accessory



ericsson.com/antenna-system



Scan or [click](#)



Product No.		78211560 Single Unit	78211562 Single Unit
		78211561 Double Unit	78211563 Double Unit
Pass band			
Band 1	MHz	380 – 960	
Band 2	MHz	1427 – 1880	
Band 3	MHz	1920 – 2690	
Insertion loss			
Port 1 ↔ Port 4	dB	< 0.2 (380 – 960 MHz)	
Port 2 ↔ Port 4	dB	< 0.3 (1427 – 1880 MHz)	
Port 3 ↔ Port 4	dB	< 0.35 (1920 – 2690 MHz)	
Isolation	dB	> 40	
VSWR		< 1.25	
Impedance	Ω	50	
Input power			
Band 1 / Band 2 / Band 3	W	< 200 / < 200 / < 200	
Intermodulation products	dBc	< -160 (3 rd order; with 2 x 20 W), exempt from TETRA 360 – 470 MHz: < -150 < -160 (1427 – 2690 MHz, 3 rd order; with 2 x 20 W)	
Temperature range	°C °F	-40 ... +60 -40 ... +140	
Connectors		4.3-10 female	
Application		Indoor or outdoor (IP 66)	
DC/AISG transparency			
Port 1 ↔ Port 4	mA	By-pass (max. 2500)	Stop
Port 2 ↔ Port 4	mA	By-pass (max. 2500)	Stop
Port 3 ↔ Port 4	mA	By-pass (max. 2500)	By-pass (max. 2500)
Lightning protection	kA	3, 10/350 μs pulse	
Mounting	mm in	Wall mounting: With 4 screws (max. 8 0.315 diameter) Mast mounting: With clamp set	
Weight	kg lb	Single unit: 3.6 7.1 / Double unit: 7.0 15.4	
Dimensions (w x h x d)	mm in	Single Unit: 251 x 211 x 68 9.9 x 8.3 x 2.7 Double Unit: 251 x 211 x 139 9.9 x 8.3 x 5.5 (without connectors, without mounting brackets)	
Packing size	mm in	Single Unit: 439 x 289 x 160 17.3 x 11.4 x 6.3 Double Unit: 439 x 289 x 230 17.3 x 11.4 x 9.1	

Accessories (order separately)

Product No.		Clamp set suitable for most diameter of
734360	mm in	34–60 1.34–2.36
734364	mm in	120–140 4.72–5.51
734365	mm in	45–125 1.77–4.92

Product No.	Description
78210484	50-Ohm load
78211000	DC stop

Typical Attenuation Curves

Diagram I

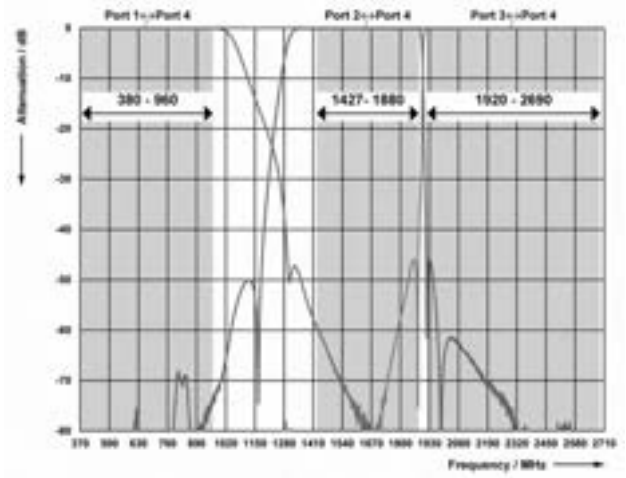
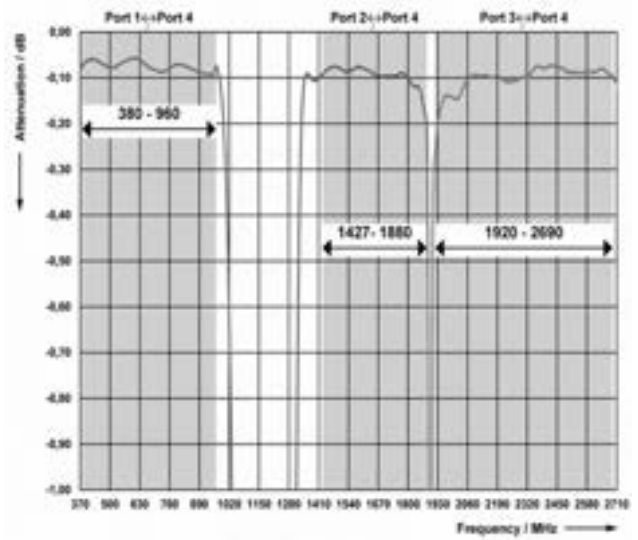
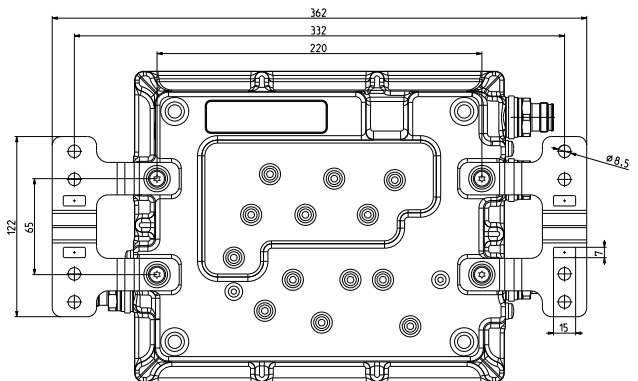
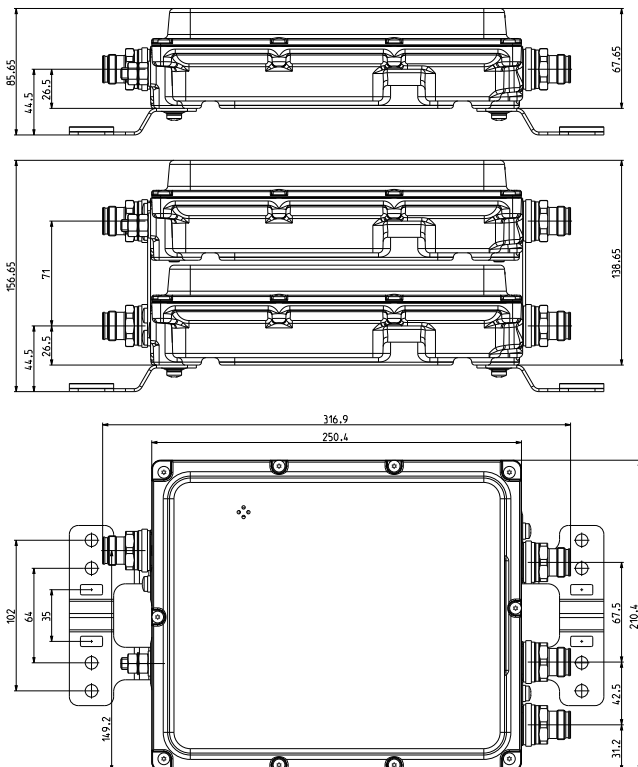
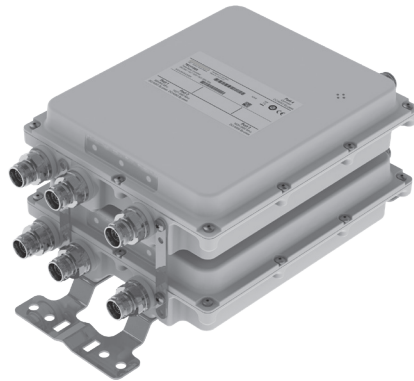


Diagram II



Dimensions in mm



AUTO-
SENSE

Double Unit

Triple-Band Combiner

78211568, 78211568V01

380–960 MHz
1427–1880 MHz
1920–2690 MHz

- Can be used as a combiner near the BTS or in a reciprocal function near the antenna
- Very low insertion loss
- Enables feeder sharing
- Designed for co-siting purposes
- Integrated Auto-Sense technology for automatic DC / AISG detection and bypass functionality
- Suitable for indoor and outdoor applications
- Wall or mast mounting
- Built-in lightning protection



ericsson.com/antenna-system

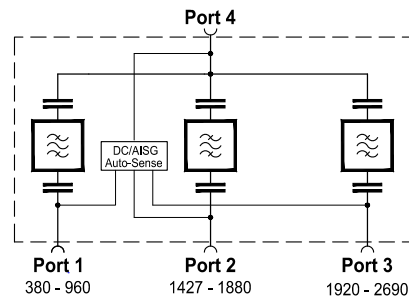


Scan or [click](#)

Priority table for 78211568V01 with Priority Controlled Function

380–960 MHz	Priority 2
1427–1880 MHz	Priority 3 (lowest)
1920–2690 MHz	Priority 1 (highest)

For more information see Auto-Sense quick guide later in this datasheet.



Product No. DC/AISG transparency 1. First In - First Out Function 2. Priority Controlled Function		78211568 78211568V01 Double Unit
Pass band		
Band 1	MHz	380 – 960
Band 2	MHz	1427 – 1880
Band 3	MHz	1920 – 2690
Insertion loss		
Port 1 ↔ Port 4	dB	< 0.2 (380 – 960 MHz)
Port 2 ↔ Port 4	dB	< 0.3 (1427 – 1880 MHz)
Port 3 ↔ Port 4	dB	< 0.35 (1920 – 2690 MHz)
Isolation	dB	> 40
VSWR		< 1.25
Impedance	Ω	50
Input power	W	< 200 / < 200 / < 200
Intermodulation products	dBc	< -160 (3 rd order; with 2 x 20 W), exempt from TETRA 360 – 470 MHz: < -150
Temperature range	°C °F	-40 ... +60 -40 ... +140
Connectors		4.3-10 female
Application		Indoor or outdoor (IP 66)
DC/AISG transparency	mA	Auto-Sense (max. 2000)
Lightning protection	kA	3, 10/350 μs pulse
Mounting	mm in	Wall mounting: With 4 screws (max. 8 0.315 diameter) Mast mounting: With additional clamp set
Weight	kg lb	7.1 15.7
Dimensions (w x h x d)	mm in	251 x 211 x 139 9.9 x 8.3 x 5.5 (without connectors, without mounting brackets)
Packing size	mm in	439 x 289 x 230 17.3 x 11.4 x 9.1

Accessories (order separately)

Product No.		Clamp set suitable for mast diameter of
734360	mm in	34–60 1.34–2.36
734364	mm in	120–140 4.72–5.51
734365	mm in	45–125 1.77–4.92

Product No.	Description
78210484	50-Ohm load
78211000	DC stop

Typical Attenuation Curves

Diagram I

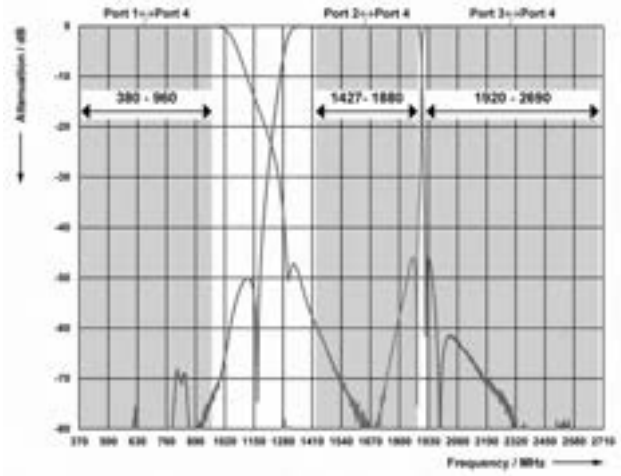
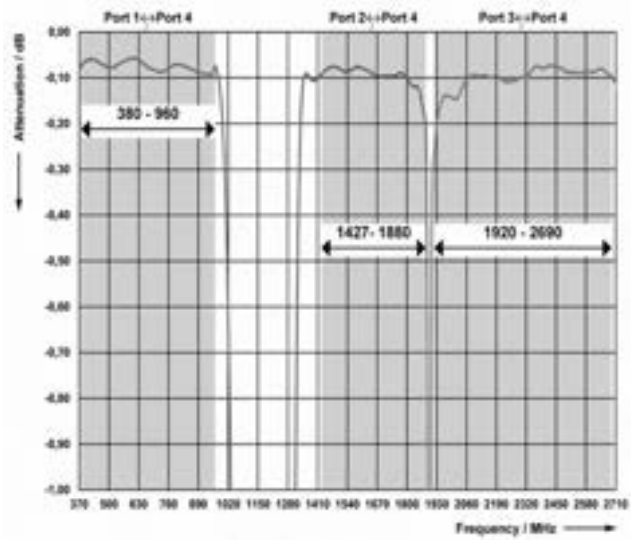
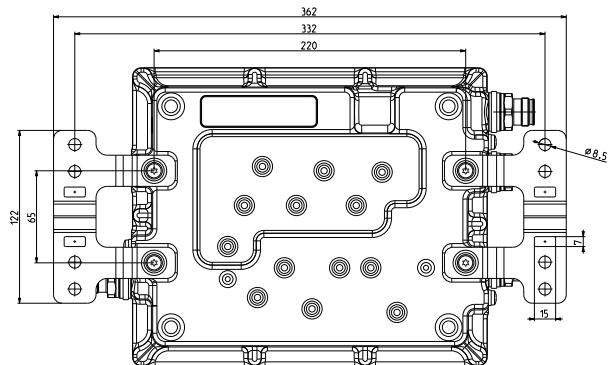
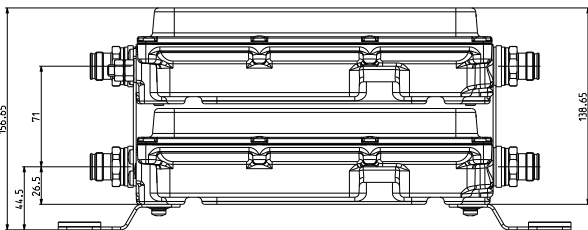
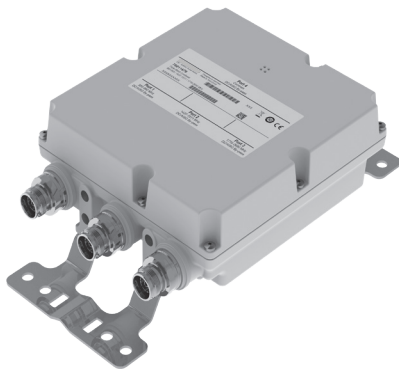


Diagram II

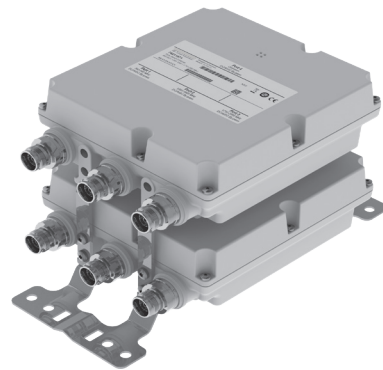


Dimensions in mm





Single Unit



Double Unit

Triple-Band Combiner

78211570, 78211571,
78211574, 78211575

380–960 MHz
1427–1518 MHz
1710–2690 MHz

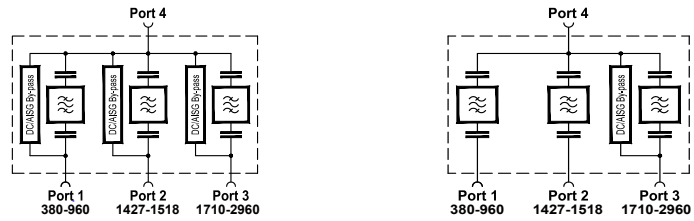
- Can be used as a combiner near the BTS or in a reciprocal function near the antenna
- Very low insertion loss
- Enables feeder sharing
- Designed for co-siting purposes
- Available as a single unit, or for XPol antennas as double unit
- Suitable for indoor and outdoor applications
- Wall or mast mounting
- Built-in lightning protection
- External DC stop available as an accessory



ericsson.com/antenna-system



Scan or [click](#)



Product No.		78211570 Single Unit	clamps included	78211574 Single Unit
		78211571 Double Unit		78211575 Double Unit
Pass band				
Band 1	MHz	380 – 960		
Band 2	MHz	1427 – 1518		
Band 3	MHz	1710 – 2690		
Insertion loss				
Port 1 ↔ Port 4	dB	< 0.2 (380 – 960 MHz)		
Port 2 ↔ Port 4	dB	< 0.2 (1427 – 1518 MHz)		
Port 3 ↔ Port 4	dB	< 0.3 (1710 – 2690 MHz)		
Isolation	dB	> 40		
VSWR		< 1.25		
Impedance	Ω	50		
Input power				
Band 1 / Band 2 / Band 3	W	< 200 / < 200 / < 200		
Intermodulation products	dBc	< -160 (3 rd order; with 2 x 20 W)		
Temperature range	°C °F	-40 ... +60 -40 ... +140		
Connectors		4.3-10 female		
Application		Indoor or outdoor (IP 66)		
DC/AISG transparency				
Port 1 ↔ Port 4	mA	By-pass (max. 2500)	Stop	
Port 2 ↔ Port 4	mA	By-pass (max. 2500)	Stop	
Port 3 ↔ Port 4	mA	By-pass (max. 2500)	By-pass (max. 2500)	
Lightning protection	kA	3, 10/350 μs pulse		
Mounting	mm in	Wall mounting: With 4 screws (max. 8 0.315 diameter) Mast mounting: With included clamp set		
Weight	kg lb	Single unit: 3.2 7.1 / Double unit: 6.3 13.9		
Dimensions (w x h x d)	mm in	Single Unit: 190 x 176 x 77 7.5 x 6.9 x 3.0 Double Unit: 190 x 176 x 161 7.5 x 6.9 x 6.3 (without connectors, without mounting brackets)		
Packing size	mm in	Single Unit: 375 x 245 x 160 14.8 x 9.7 x 6.3 Double Unit: 375 x 245 x 245 14.8 x 9.7 x 9.7		

Accessories (included)

Product No.		Clamp set suitable for mast diameter of
734365	mm in	45–125 1.77–4.92

Accessories (order separately)

Product No.		Description
78210484		50-Ohm load
78211000		DC stop
734360	mm in	Clamp set: 34–60 1.34–2.36
734364	mm in	Clamp set: 120–140 4.72–5.51

Typical Attenuation Curves

Diagram I

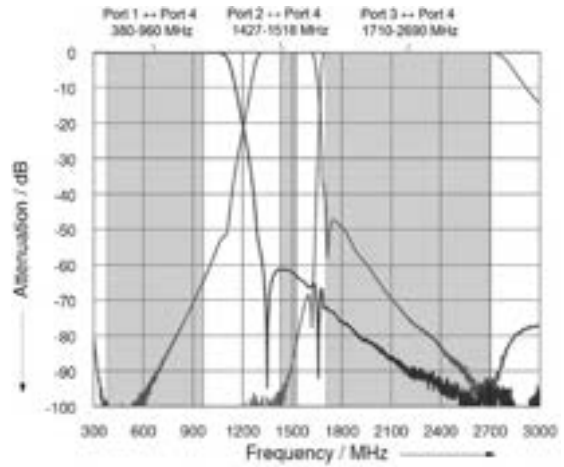
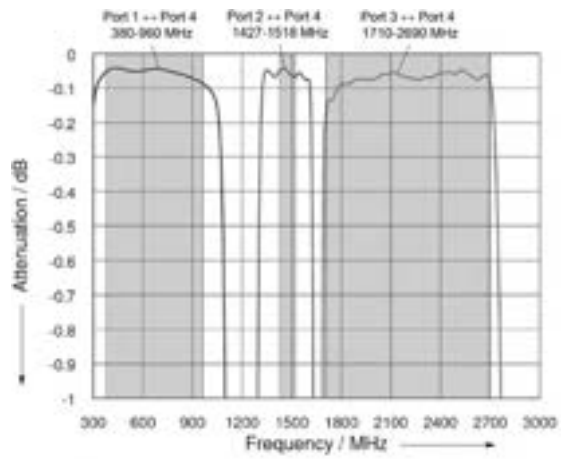
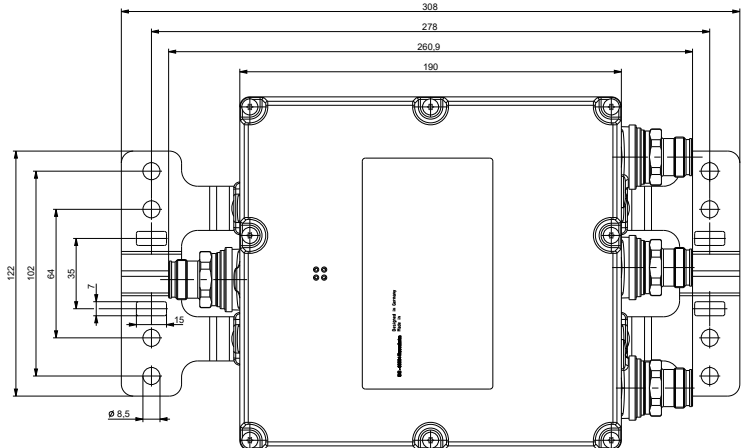
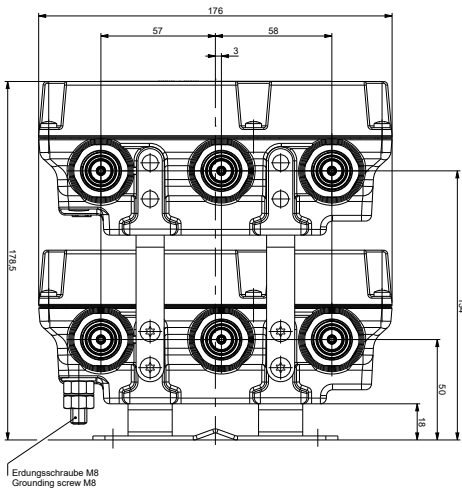
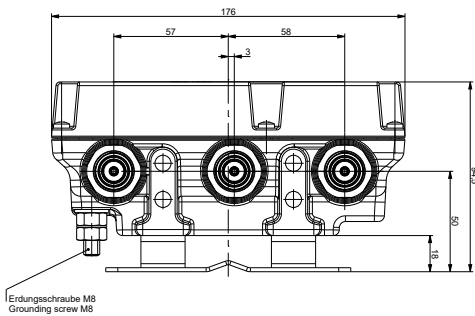
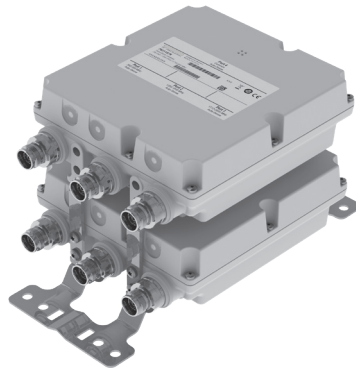


Diagram II



Dimensions in mm



AUTO-
SENSE

Double Unit

Triple-Band Combiner

78211578, 78211578V01

380–960 MHz
1427–1518 MHz
1710–2690 MHz

- Can be used as a combiner near the BTS or in a reciprocal function near the antenna
- Very low insertion loss
- Enables feeder sharing
- Designed for co-siting purposes
- Integrated Auto-Sense technology for automatic DC / AISG detection and bypass functionality
- Suitable for indoor or outdoor applications
- Wall or mast mounting
- Built-in lightning protection



ericsson.com/antenna-system

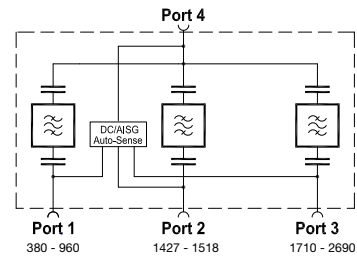


Scan or [click](#)

Priority table for 78211578V01 with Priority Controlled Function

380–960 MHz	Priority 1 (highest)
1427–1518 MHz	Priority 3 (lowest)
1710–2690 MHz	Priority 2

For more information see Auto-Sense quick guide later in this datasheet.



Product No. DC/AISG transparency 1. First In - First Out Function 2. Priority Controlled Function		78211578 78211578V01 Double Unit	<u>clamps</u> <u>included</u>
Pass band			
Band 1	MHz	380 – 960	
Band 2	MHz	1427 – 1518	
Band 3	MHz	1710 – 2690	
Insertion loss			
Port 1 ↔ Port 4	dB	< 0.2 (380 – 960 MHz)	
Port 2 ↔ Port 4	dB	< 0.2 (1427 – 1518 MHz)	
Port 3 ↔ Port 4	dB	< 0.3 (1710 – 2690 MHz)	
Isolation	dB	> 40	
VSWR		< 1.25	
Impedance	Ω	50	
Input power			
Band 1 / Band 2 / Band 3	W	< 200 / < 200 / < 200	
Intermodulation products	dBc	< -160 (3 rd order; with 2 x 20 W)	
Temperature range	°C °F	-40 ... +60 -40 ... +140	
Connectors		4.3-10 female	
Application		Indoor or outdoor (IP 66)	
DC/AISG transparency			
Port 1, 2, 3 ↔ Port 4	mA	Auto-Sense (max. 2000)	
Lightning protection	kA	3, 10/350 μs pulse	
Mounting	mm in	Wall mounting: With 4 screws (max. 8 0.315 diameter) Mast mounting: With included clamp set	
Weight	kg lb	6.3 13.9	
Dimensions (w x h x d)	mm in	190 x 176 x 161 7.5 x 6.9 x 6.3 (without connectors, without mounting brackets)	
Packing size	mm in	375 x 245 x 245 14.8 x 9.7 x 9.7	

Accessories (included)

Product No.		Clamp set suitable for mast diameter of
734365	mm in	45–125 1.77–4.92

Accessories (order separately)

Product No.		Description
78210484		50-Ohm load
78211000		DC stop
734360	mm in	Clamp set: 34–60 1.34–2.36
734364	mm in	Clamp set: 120–140 4.72–5.51

Typical Attenuation Curves

Diagram I

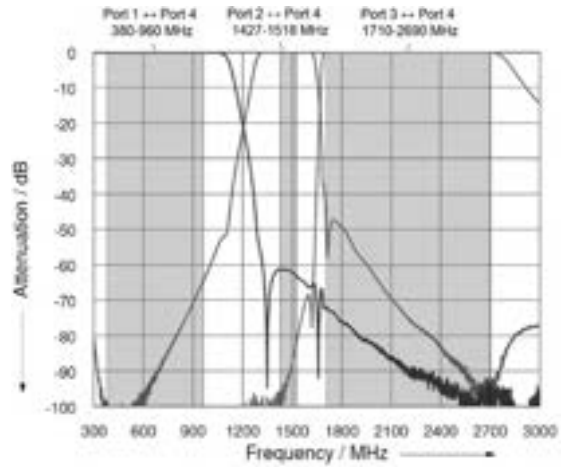
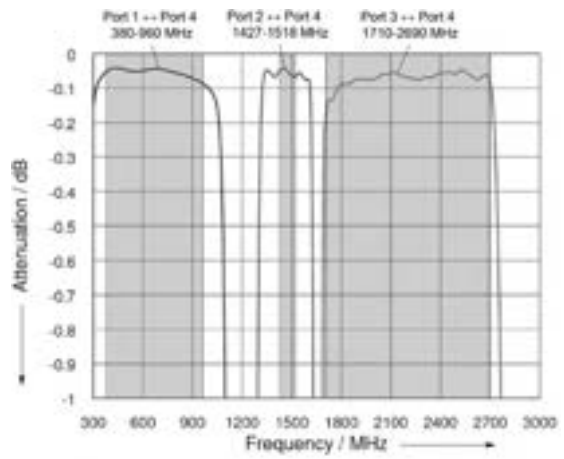
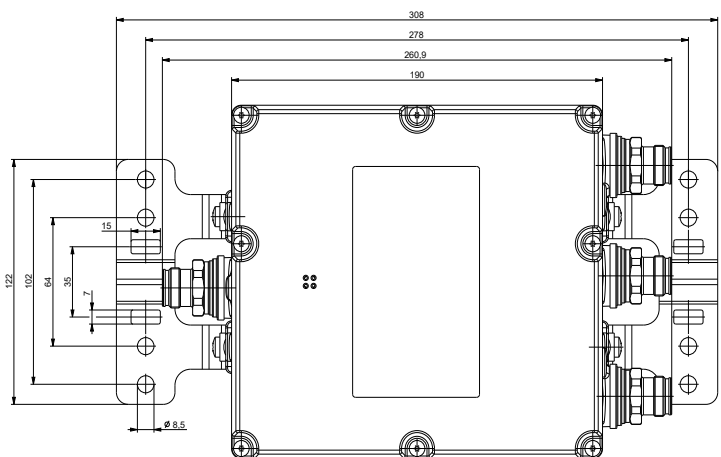
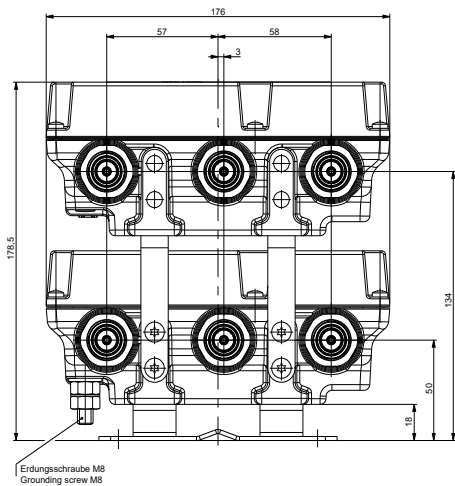
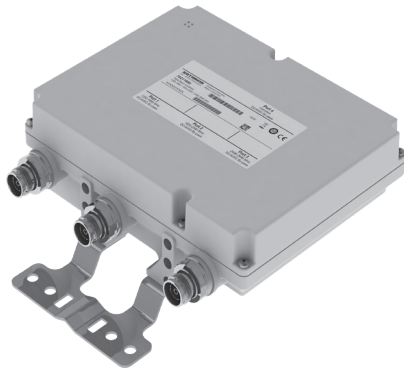


Diagram II

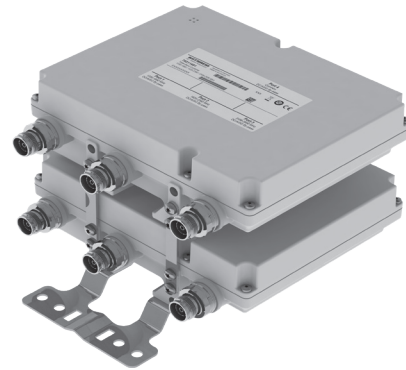


Dimensions in mm





Single Unit



Double Unit

Triple-Band Combiner

78211690, 78211691

1427–1880 MHz
1920–2360 MHz
2496–2690 MHz

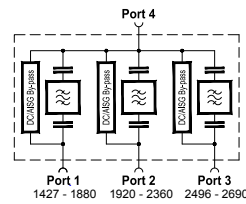
- Can be used as a combiner near the BTS or in a reciprocal function near the antenna
- Very low insertion loss
- Enables feeder sharing
- Designed for co-siting purposes
- Integrated Auto-Sense technology for automatic DC / AISG detection and bypass functionality
- Available as a single unit, or for XPol antennas as double unit
- Suitable for indoor or outdoor applications
- Wall or mast mounting
- Built-in lightning protection



ericsson.com/antenna-system



Scan or [click](#)



Product No.		78211690 Single Unit
		78211691 Double Unit
Pass band		
Band 1 (GSM/LTE1800)	MHz	1427 – 1880
Band 2 (UMTS2100)	MHz	1920 – 2360
Band 3 (2300 ... LTE2600)	MHz	2496 – 2690
Insertion loss		
Port 1 ↔ Port 4	dB	< 0.5 (typ. 0.2 dB)
Port 2 ↔ Port 4	dB	< 0.5 (typ. 0.2 dB)
Port 3 ↔ Port 4	dB	< 0.5 (typ. 0.2 dB)
Isolation		
Port 1 ↔ Port 2	dB	> 45 (1427 – 1880 / 1920 – 2360 MHz)
Port 1 ↔ Port 3	dB	> 45 (1427 – 1880 / 2496 – 2690 MHz)
Port 2 ↔ Port 3	dB	> 45 (1920 – 2360 / 2496 – 2690 MHz)
VSWR		< 1.25
Impedance	Ω	50
Input power		
Band 1 / Band 2 / Band 3	W	< 150 / < 150 / < 150
Intermodulation products	dBc	< -160 (3 rd order; with 2 x 20 W)
Temperature range	°C °F	-40 ... +60 -40 ... +140
Connectors		4.3-10 female
Application		Indoor or outdoor (IP 66)
DC/AISG transparency		
Port 1 ↔ Port 4	mA	By-pass (max. 2500)
Port 2 ↔ Port 4	mA	By-pass (max. 2500)
Port 3 ↔ Port 4	mA	By-pass (max. 2500)
Lightning protection	kA	3, 10/350 μs pulse
Mounting		Wall mounting: With 4 screws (max. 8 mm diameter) Mast mounting: With additional clamp set
Weight	kg lb	Single unit: 3.0 6.6 / Double unit: 6.0 13.2
Dimensions (w x h x d)	mm in	Single unit: 225 x 176 x 75 8.9 x 6.9 x 3.0 Double unit: 225 x 176 x 156 8.9 x 6.9 x 6.1 (without connectors, without mounting brackets)
Packing size	mm in	Single unit: 367 x 289 x 152 14.4 x 11.4 x 6.0 Double unit: 367 x 289 x 233 14.4 x 11.4 x 9.2

Accessories (order separately)

Product No.		Clamp set suitable for mast diameter of
734360	mm in	34–60 1.34–2.36
734364	mm in	120–140 4.72–5.51
734365	mm in	45–125 1.77–4.92

Product No.	Description
78210484	50-Ohm load
78211000	DC stop

Typical Attenuation Curves

Diagram I

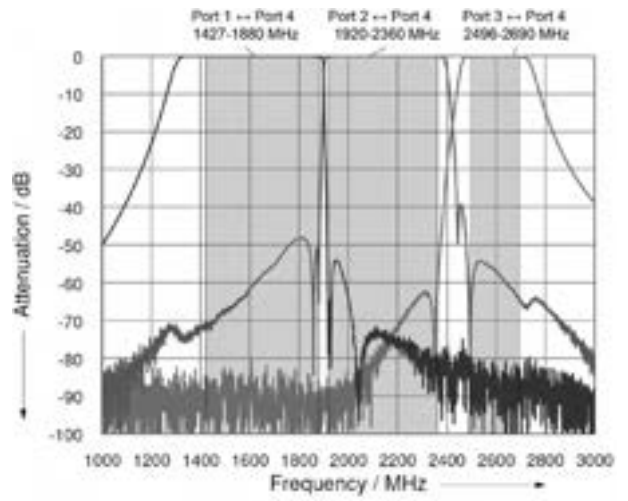
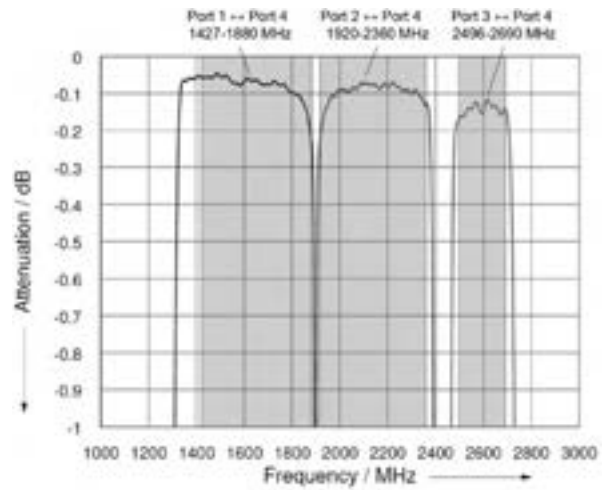
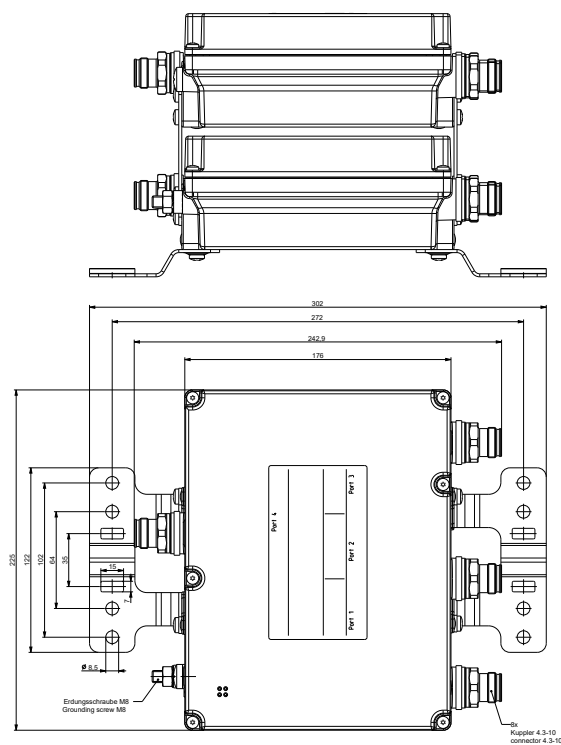
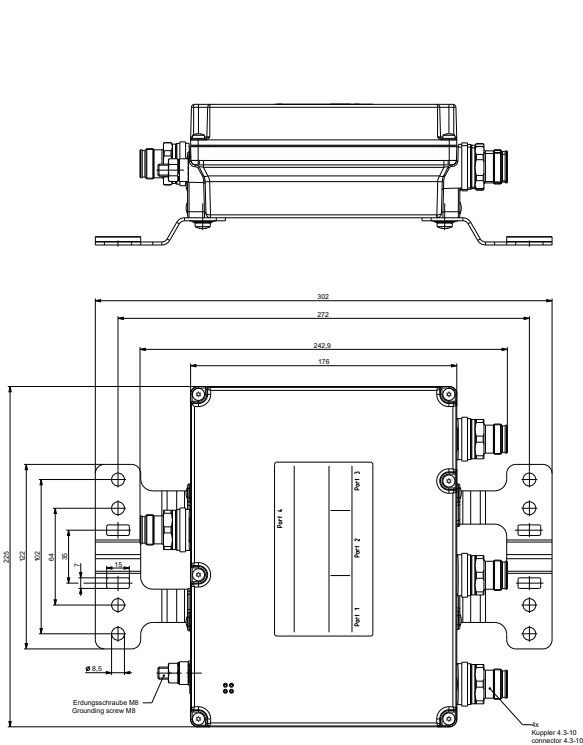
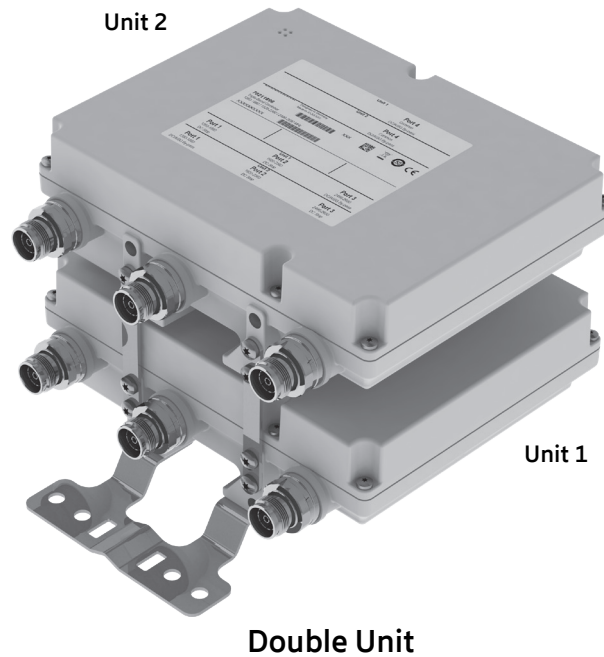


Diagram II



Dimensions in mm





Triple-Band Combiner

78211696

1427–1880 MHz
1920–2360 MHz
2496–2690 MHz

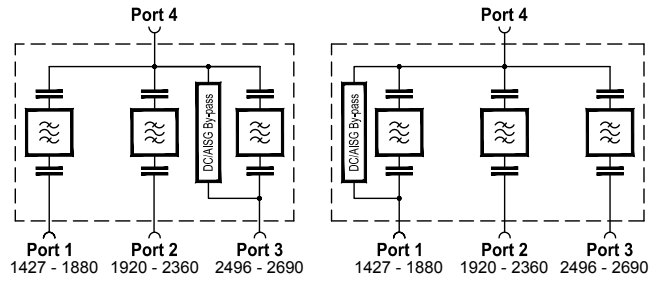
- Can be used as a combiner near the BTS or in a reciprocal function near the antenna
- Very low insertion loss
- Enables feeder sharing
- Designed for co-siting purposes
- Suitable for indoor and outdoor applications
- Wall or mast mounting
- Built-in lightning protection
- External DC stop available as an accessory



ericsson.com/antenna-system



Scan or [click](#)



Product No.		78211696 Double Unit	
Pass band			
Band 1 (GSM/LTE1800)	MHz	1427 – 1880	
Band 2 (UMTS2100)	MHz	1920 – 2360	
Band 3 (2300 ... LTE2600)	MHz	2496 – 2690	
Insertion loss			
Port 1 ↔ Port 4	dB	< 0.5 (typ. 0.2 dB)	
Port 2 ↔ Port 4	dB	< 0.5 (typ. 0.2 dB)	
Port 3 ↔ Port 4	dB	< 0.5 (typ. 0.2 dB)	
Isolation			
Port 1 ↔ Port 2	dB	> 45 (1427 – 1880 / 1920 – 2360 MHz)	
Port 1 ↔ Port 3	dB	> 45 (1427 – 1880 / 2496 – 2690 MHz)	
Port 2 ↔ Port 3	dB	> 45 (1920 – 2360 / 2496 – 2690 MHz)	
VSWR		< 1.25	
Impedance	Ω	50	
Input power			
Band 1 / Band 2 / Band 3	W	< 150 / < 150 / < 150	
Intermodulation products	dBc	< -160 (3 rd order; with 2 x 20 W)	
Temperature range	°C °F	-40 ... +60 -40 ... +140	
Connectors		4.3-10 female	
Application		Indoor or outdoor (IP 66)	
DC/AISG transparency		Unit 1	Unit 2
Port 1 ↔ Port 4	mA	Stop	By-pass (max. 2500)
Port 2 ↔ Port 4	mA	Stop	Stop
Port 3 ↔ Port 4	mA	By-pass (max. 2500)	Stop
Lightning protection	kA	3, 10/350 μs pulse	
Mounting		Wall mounting: With 4 screws (max. 8 mm diameter) Mast mounting: With additional clamp set	
Weight	kg lb	6.0 13.2	
Packing size	mm in	367 x 289 x 233 14.4 x 11.4 x 9.2	
Dimensions (w x h x d)	mm in	225 x 176 x 156 8.9 x 6.9 x 6.1 (without connectors, without mounting brackets)	

Accessories (order separately)

Product No.		Clamp set suitable for mast diameter of
734360	mm in	34–60 1.34–2.36
734364	mm in	120–140 4.72–5.51
734365	mm in	45–125 1.77–4.92

Product No.	Description
78210484	50-Ohm load
78211000	DC stop

Typical Attenuation Curves

Diagram I

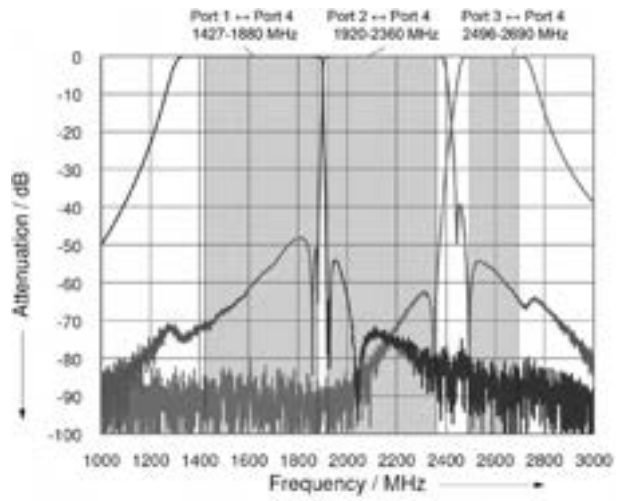
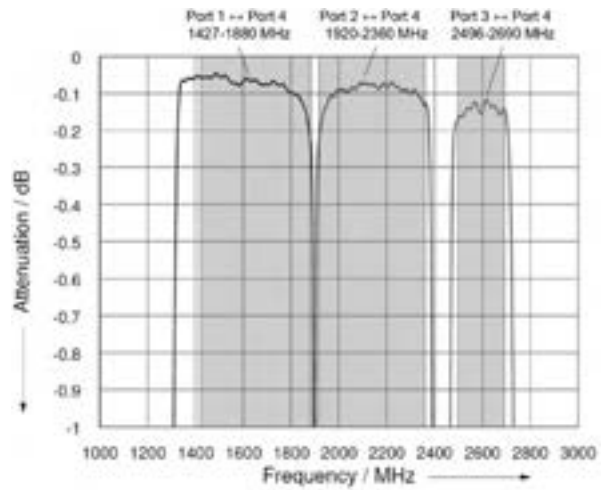
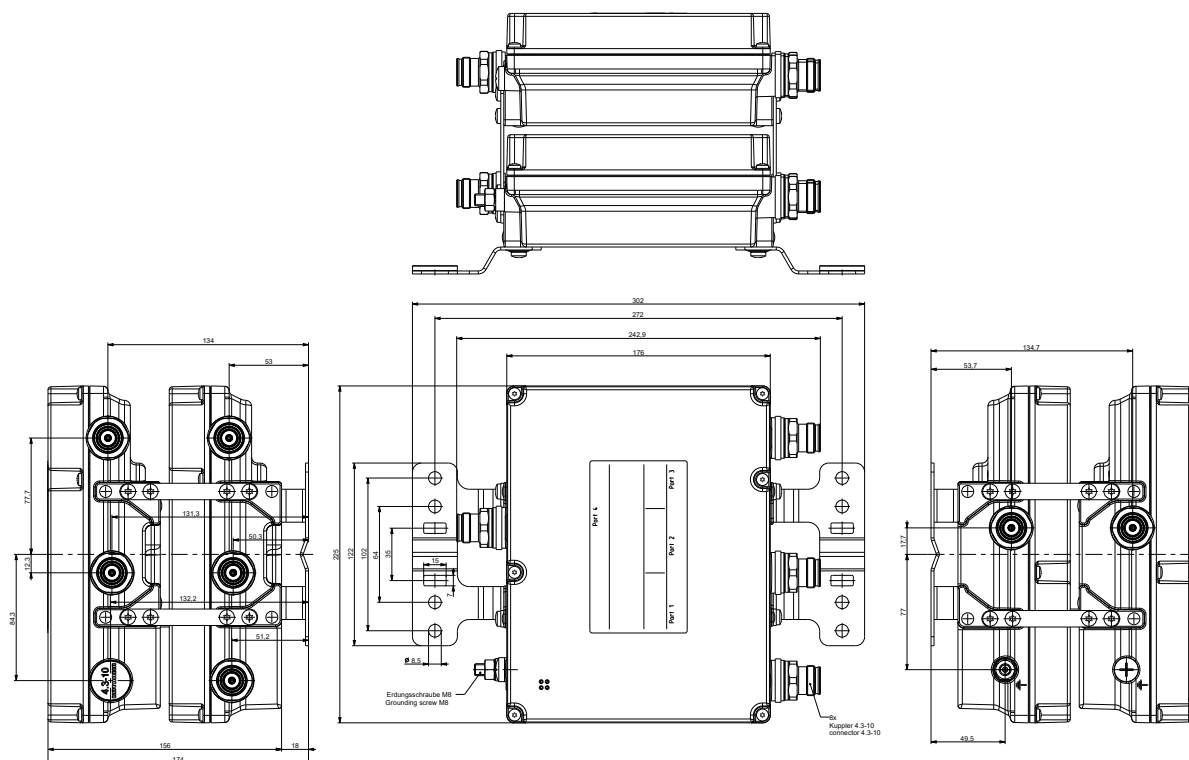
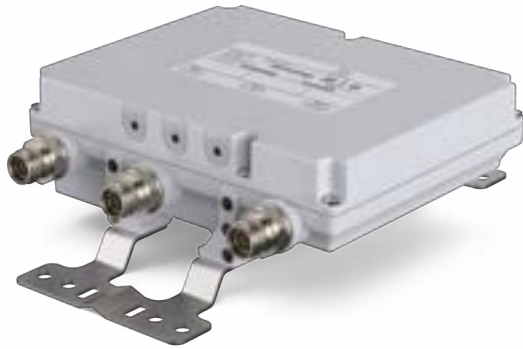


Diagram II



Dimensions in mm



AUTO-
SENSE

Single Unit



Double Unit

Triple-Band Combiner

78211697, 78211697V01,
78211698, 78211698V01

1427–1880 MHz
1920–2360 MHz
2496–2690 MHz

- Can be used as a combiner near the BTS or in a reciprocal function near the antenna
- Very low insertion loss
- Enables feeder sharing
- Designed for co-siting purposes
- Integrated Auto-Sense technology for automatic DC / AISG detection and bypass functionality
- Available as a single unit, or for XPol antennas as a double unit
- Suitable for indoor and outdoor applications
- Wall or mast mounting
- Built-in lightning protection



ericsson.com/antenna-system

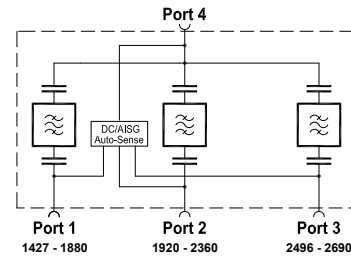


Scan or [click](#)

Priority table for the variants 78211697V01 and 78211698V01 with Priority Controlled Function

1427–1880 MHz	Priority 3 (lowest)
1920–2360 MHz	Priority 2
2496–2690 MHz	Priority 1 (highest)

For more information see Auto-Sense quick guide later in this datasheet.



Product No. DC/AISG transparency 1. First In - First Out Function 2. Priority Controlled Function		78211697 78211697V01 Single Unit	78211698 78211698V01 Double Unit
Pass band			
Band 1	MHz	1427 – 1880	
Band 2	MHz	1920 – 2360	
Band 3	MHz	2496 – 2690	
Insertion loss			
Port 1 ↔ Port 4	dB	< 0.5 (typ. 0.2 dB)	
Port 2 ↔ Port 4	dB	< 0.5 (typ. 0.2 dB)	
Port 3 ↔ Port 4	dB	< 0.5 (typ. 0.2 dB)	
Isolation			
Port 1 ↔ Port 2	dB	> 45 (1427 – 1880 / 1920 – 2360 MHz)	
Port 1 ↔ Port 3	dB	> 45 (1427 – 1880 / 2496 – 2690 MHz)	
Port 2 ↔ Port 3	dB	> 45 (1920 – 2360 / 2496 – 2690 MHz)	
VSWR		< 1.25	
Impedance	Ω	50	
Input power			
Band 1 / Band 2 / Band 3	W	< 150 / < 150 / < 150	
Intermodulation products	dBc	< -160 (3 rd order; with 2 x 20 W)	
Temperature range	°C °F	-40 ... +60 -40 ... +140	
Connectors		4.3-10 female	
Application		Indoor or outdoor (IP 66)	
DC/AISG transparency			
Port 1, 2, 3 ↔ Port 4	mA	Auto-Sense (max. 2000)	
Lightning protection	kA	3, 10/350 μs pulse	
Mounting		Wall mounting: With 4 screws (max. 8 mm diameter) Mast mounting: With additional clamp set	
Weight	kg lb	Single unit: 3.0 6.6 / Double unit: 6.0 13.2	
Dimensions (w x h x d)	mm in	Single unit: 225 x 176 x 75 8.9 x 6.9 x 3.0 Double unit: 225 x 176 x 156 8.9 x 6.9 x 6.1 (without connectors, without mounting brackets)	
Packing size	mm in	Single unit: 367 x 289 x 152 14.4 x 11.4 x 6.0 Double unit: 367 x 289 x 233 14.4 x 11.4 x 9.2	

Accessories (order separately)

Product No.		Clamp set suitable for mast diameter of
734360	mm in	34–60 1.34–2.36
734364	mm in	120–140 4.72–5.51
734365	mm in	45–125 1.77–4.92

Product No.	Description
78210484	50-Ohm load
78211000	DC stop

Typical Attenuation Curves

Diagram I

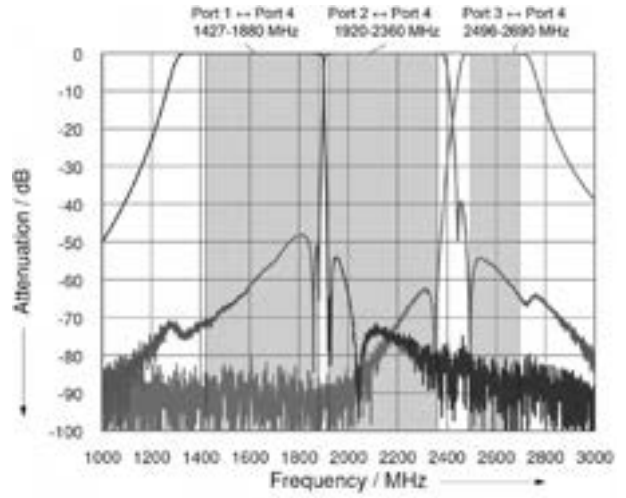
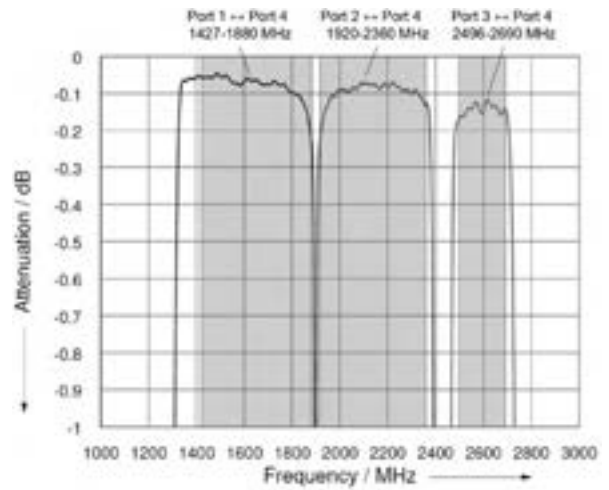
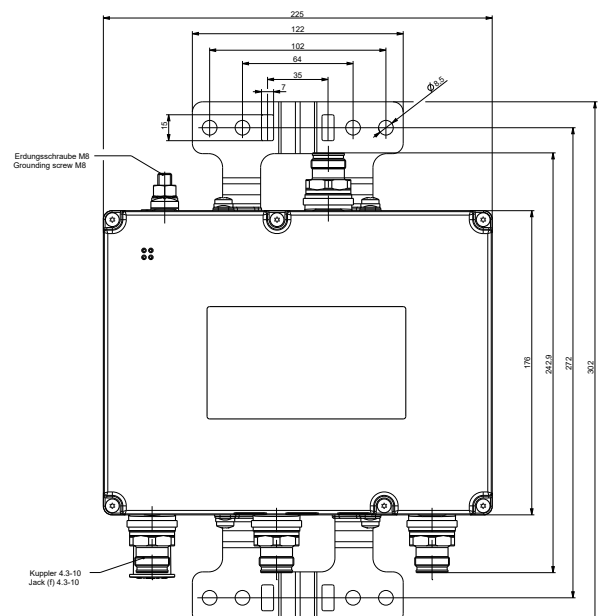
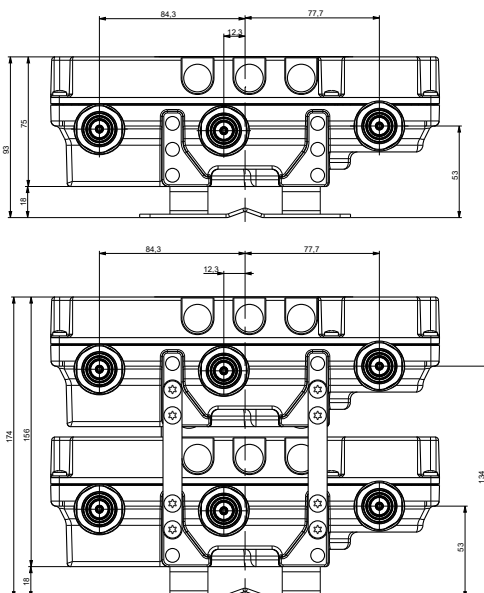
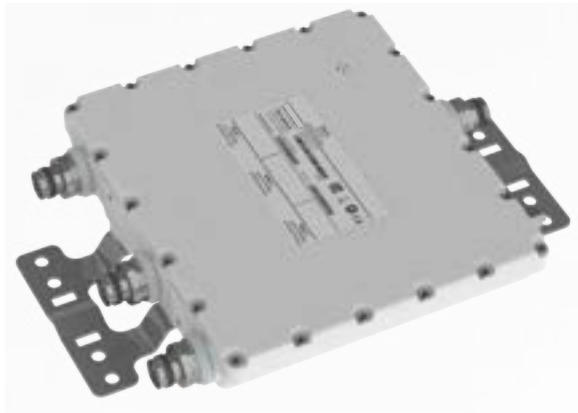


Diagram II

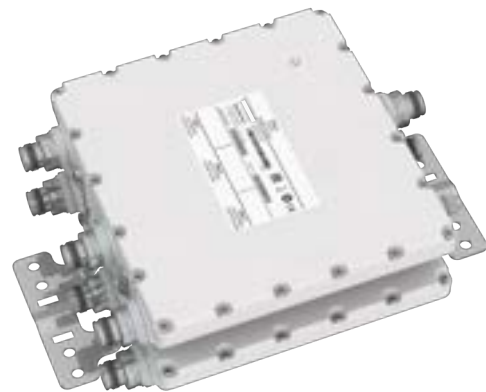


Dimensions in mm





Single Unit



Double Unit

Triple-Band Combiner

78211400V43, 78211401V43, 78211402V43

78211403V43, 78211404V43, 78211405V43

1710–1880 MHz

1920–2170 MHz

2300–2700 MHz

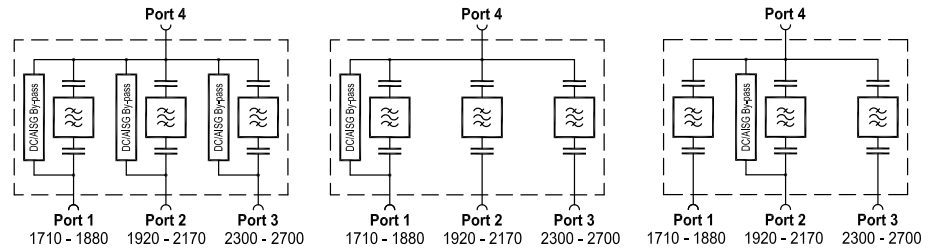
- Can be used as a combiner near the BTS or in a reciprocal function near the antenna
- Very low insertion loss
- Enables feeder sharing
- Designed for co-siting purposes
- Suitable for indoor and outdoor applications
- Wall or mast mounting
- Built-in lightning protection
- External DC stop available as an accessory



ericsson.com/antenna-system



Scan or [click](#)



Product No.		78211400V43 Single Unit	78211402V43 Single Unit	78211404V43 Single Unit
		78211401V43 Double Unit	78211403V43 Double Unit	78211405V43 Double Unit
Pass band				
Band 1	MHz	1710 – 1880		
Band 2	MHz	1920 – 2170		
Band 3	MHz	2300 – 2700		
Insertion loss				
Port 1 ↔ Port 4	dB	< 0.3 (typ. 0.1)		
Port 2 ↔ Port 4	dB	< 0.3 (typ. 0.1)		
Port 3 ↔ Port 4	dB	< 0.3 (typ. 0.1)		
Isolation				
Port 1 ↔ Port 2	dB	> 50 (1710 – 1880 / 1920 – 2170 MHz)		
Port 1 ↔ Port 3	dB	> 50 (1710 – 1880 / 2300 – 2700 MHz)		
Port 2 ↔ Port 3	dB	> 50 (1920 – 2170 / 2300 – 2700 MHz)		
VSWR		< 1.25		
Impedance	Ω	50		
Input power	W			
Band 1 / Band 2 / Band 3		< 200 / < 200 / < 200		
Intermodulation products	dBc	< -160 (3 rd order; with 2 x 20 W)		
Temperature range	°C °F	-55 ... +60 -67 ... +140		
Connectors		4.3-10 female		
Application		Indoor or outdoor (IP 66)		
DC/AISG transparency				
Port 1 ↔ Port 4	mA	By-pass (max. 2500)	By-pass (max. 2500)	Stop
Port 2 ↔ Port 4	mA	By-pass (max. 2500)	Stop	By-pass (max. 2500)
Port 3 ↔ Port 4	mA	By-pass (max. 2500)	Stop	Stop
Lightning protection	kA	3, 10/350 μs pulse		
Mounting		Wall mounting: With 4 screws (max. diameter [mm in] 8 0.315) Mast mounting: With additional clamp set		
Weight	kg lb	Single unit: 3.3 7.3 Double unit: 6.7 14.8		
Dimensions (w x h x d)	mm in	Single unit: 235 x 217 x 46 9.3 x 8.5 x 1.8 Double unit: 235 x 217 x 97 9.3 x 8.5 x 3.8 (without connectors, without mounting brackets)		
Packing size	mm in	Single unit: 405 x 325 x 155 15.9 x 12.8 x 6.1 Double unit: 405 x 325 x 205 15.9 x 12.8 x 8.1		

Accessories (order separately)

Product No.		Clamp set suitable for mast diameter of
734360	mm in	34–60 1.34–2.36
734364	mm in	120–140 4.72–5.51
734365	mm in	45–125 1.77–4.92

Product No.	Description
78210484	50-Ohm load
78211000	DC stop

Typical Attenuation Curves

Diagram I

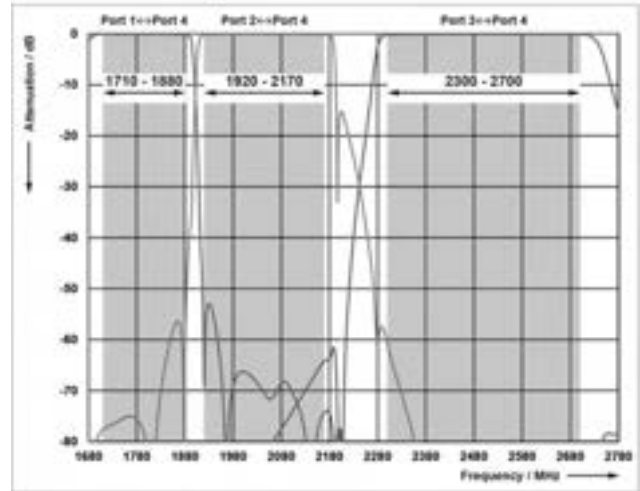
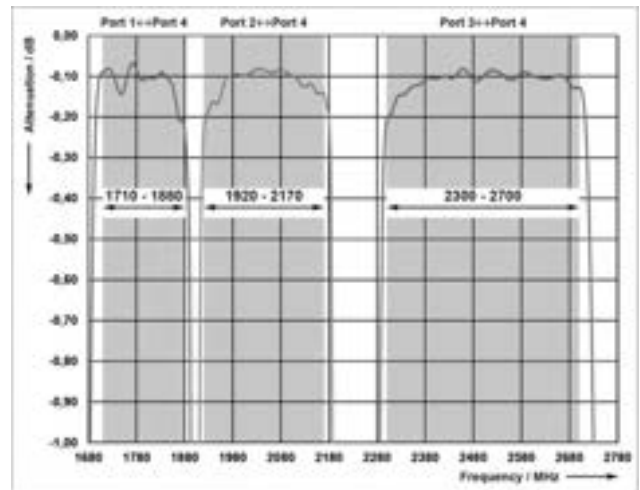
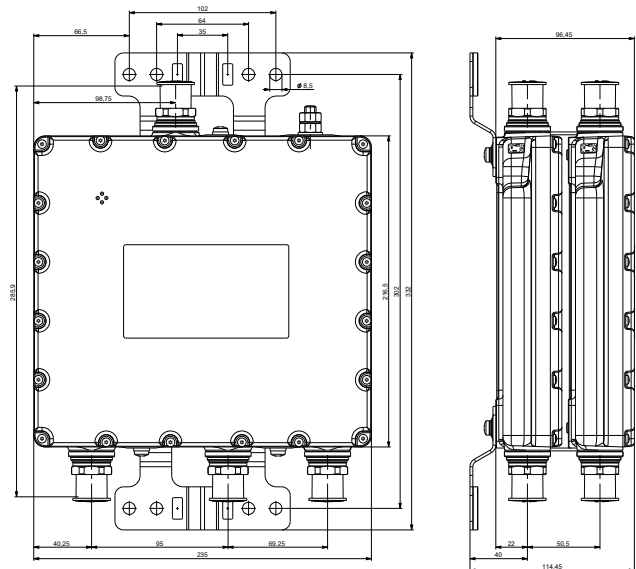
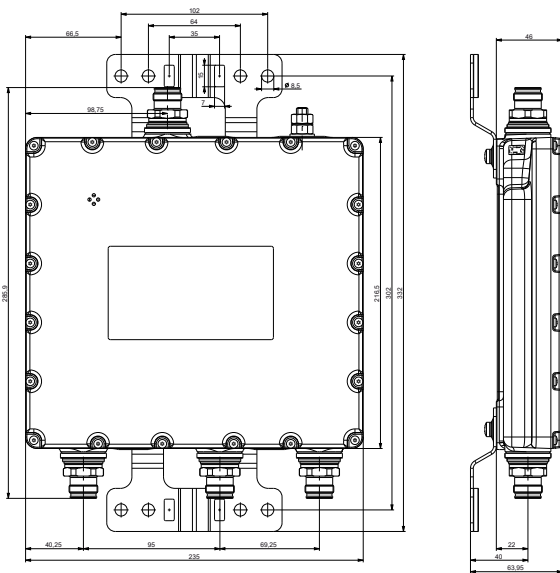
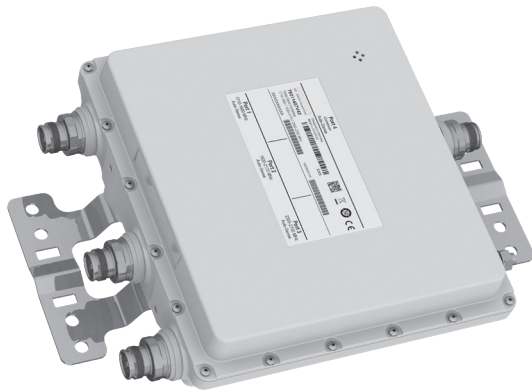


Diagram II

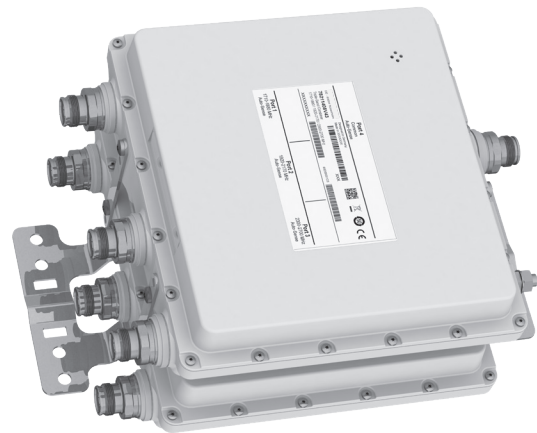


Dimensions in mm



AUTO-
SENSE

Single Unit



Double Unit

Triple-Band Combiner

78211407V43, 78211407V44,
78211408V43, 78211408V44

1710–1880 MHz
1920–2170 MHz
2300–2700 MHz

- Can be used as a combiner near the BTS or in a reciprocal function near the antenna
- Very low insertion loss
- Enables feeder sharing
- Designed for co-siting purposes
- Integrated Auto-Sense technology for automatic DC / AISG detection and bypass functionality
- Available as a single unit, or for XPol antennas as a double unit
- Suitable for indoor and outdoor applications
- Wall or mast mounting
- Built-in lightning protection



ericsson.com/antenna-system

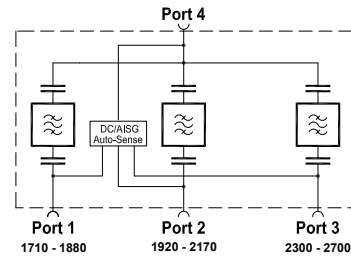


Scan or [click](#)

Priority table for the variants 78211407V44 and 78211408V44 with Priority Controlled Function

1710–1880 MHz	Priority 3 (lowest)
1920–2170 MHz	Priority 2
2300–2700 MHz	Priority 1 (highest)

For more information see Auto-Sense quick guide later in this datasheet.



Product No. DC/AISG transparency 1. First In - First Out Function 2. Priority Controlled Function		78211407V43 78211407V44 Single Unit	78211408V43 78211408V44 Double Unit
Pass band			
Band 1	MHz	1710 – 1880	
Band 2	MHz	1920 – 2170	
Band 3	MHz	2300 – 2700	
Insertion loss			
Port 1 ↔ Port 4	dB	< 0.3 (typ. 0.1 dB)	
Port 2 ↔ Port 4	dB	< 0.3 (typ. 0.1 dB)	
Port 3 ↔ Port 4	dB	< 0.3 (typ. 0.1 dB)	
Isolation			
Port 1 ↔ Port 2	dB	> 50 (1710 – 1880 / 1920 – 2170 MHz)	
Port 1 ↔ Port 3	dB	> 50 (1710 – 1880 / 2300 – 2700 MHz)	
Port 2 ↔ Port 3	dB	> 50 (1920 – 2170 / 2300 – 2700 MHz)	
VSWR		< 1.25	
Impedance	Ω	50	
Input power			
Band 1 / Band 2 / Band 3	W	< 200 / < 200 / < 200	
Intermodulation products	dBc	< -160 (3 rd order; with 2 x 20 W)	
Temperature range	°C °F	-55 ... +60 -67 ... +140	
Connectors		4.3-10 female	
Application		Indoor or outdoor (IP 66)	
DC/AISG transparency			
Port 1, 2, 3 ↔ Port 4	mA	Auto-Sense (max. 2000)	
Lightning protection	kA	3, 10/350 μs pulse	
Mounting		Wall mounting: With 4 screws (max. 8 mm diameter) Mast mounting: With additional clamp set	
Weight	kg lb	Single unit: 3.4 7.5 / Double unit: 6.9 15.2	
Dimensions (w x h x d)	mm in	Single unit: 235 x 217 x 64 9.3 x 8.5 x 2.5 Double unit: 235 x 217 x 135 9.3 x 8.5 x 5.3 (without connectors, without mounting brackets)	
Packing size	mm in	Single unit: 404 x 324 x 175 15.9 x 12.8 x 6.9 Double unit: 404 x 324 x 245 15.9 x 12.8 x 9.6	

Accessories (order separately)

Product No.		Clamp set suitable for most diameter of
734360	mm in	34–60 1.34–2.36
734364	mm in	120–140 4.72–5.51
734365	mm in	45–125 1.77–4.92

Product No.	Description
78210484	50-Ohm load
78211000	DC stop

Typical Attenuation Curves

Diagram I

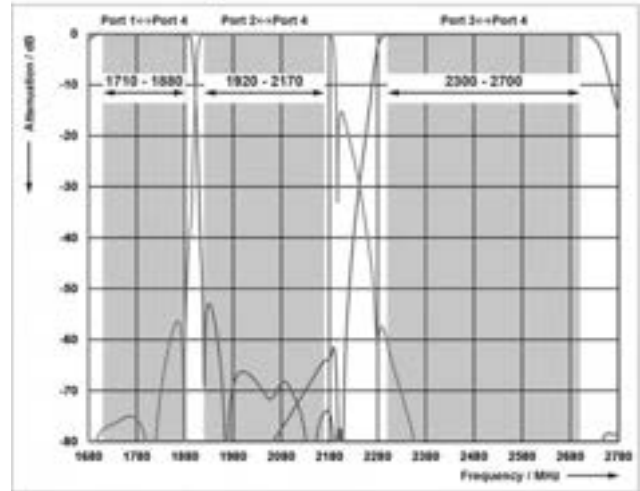
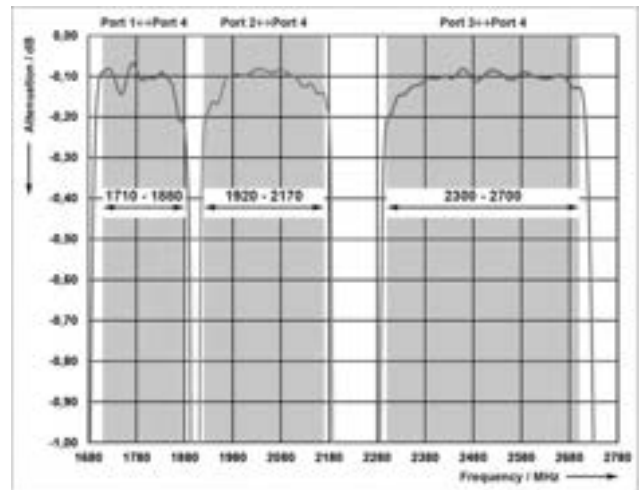
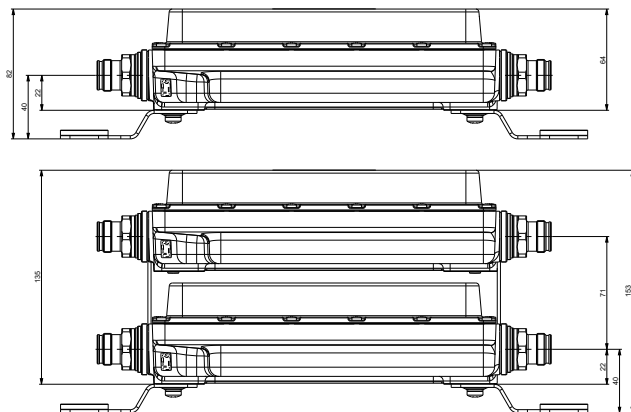
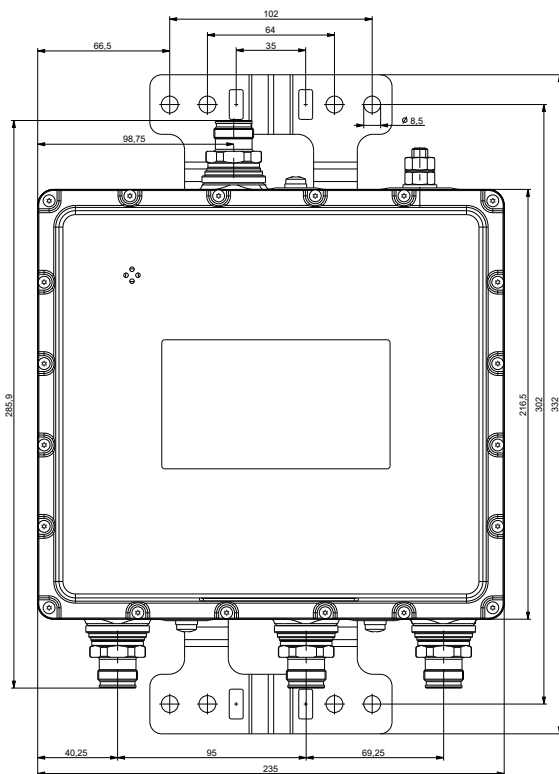


Diagram II



Dimensions in mm





Double Unit



Double Unit

Triple-Band Combiner

KRF 102 449/1, KRF 102 449/2

1710–1780 MHz, 2110–2180 MHz
1850–1995 MHz
2496–2690 MHz

- High out of band rejection
- Low insertion loss
- IP67
- Wall mounting brackets and pole clamps included for KRF 102 449/2
- Designed for Ericsson and non-Ericsson system compatibility



ericsson.com/antenna-system



Scan or [click](#)

Product No.		KRF 102 449/1 Double Unit (without bracket)	KRF 102 449/2 Double Unit (with bracket)
Electrical Specifications			
Frequency range - B66A: - B25: - B42:	MHz	1710–1780 2110–2180 1850–1995 2496–2690	
Insertion loss - B66A - 1710–1780 MHz: - 2110–2180 MHz: - B25: - B42:	dB	0.33* 0.31* 0.29* 0.26*	
Return loss	dB	> 20	
Isolation - Between port B66 and port B25: - Between port B66 and port B41: - Between port B25 and port B41: - Between branches**:	dB	> 40 > 50 > 50 > 60	
Intermodulation - IM3 at 2×43 dBm: - IM5 at 2×43 dBm:	dBm	< -115 < -123	
Power handling (continuous) - B66A and B25: - B41:	W	20 per port 25	
DC configuration		No DC/AISG bypass	
Mechanical Specifications*			
Dimensions (H×W×D)	mm	135 × 210 × 43	
Weight	kg	2.0	2.4
Volume	L	1.22	
RF connectors - COM ports: - RF ports:		4.3-10 (f) NEX10 (f)	
Mounting options		Cabinet	Pole or wall
Environmental Specifications*			
Temperature range	°C	-40 to +55	
IP class		IP67	
Lightning protection		5 kA 10/350 μs, 20 kA 8/20 μs (Common mode)	
Product safety		International (CB): IEC 62368-1 Europe (CE): EN 62368-1 North America: CSA/UL 62368-1	

* Typical values

** From one port in one branch to any other port in any other branch



Single Unit



Double Unit

Quad-Band Combiner

78211580, 78211581, 78211582,
78211583, 78211584, 78211585

380–960 MHz
1427–1880 MHz
1920–2200 MHz
2300–2690 MHz

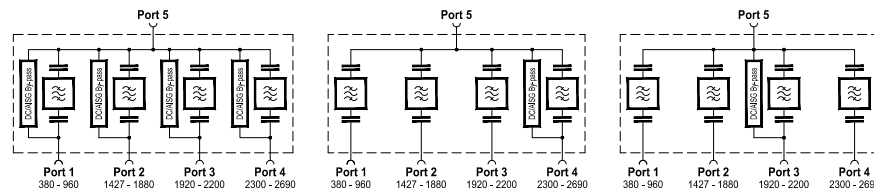
- Can be used as a combiner near the BTS or in a reciprocal function near the antenna
- Very low insertion loss
- Enables feeder sharing
- Designed for co-siting purposes
- Available as a single unit, or for XPol antennas as double unit
- Suitable for indoor and outdoor applications
- Wall or mast mounting
- Built-in lightning protection
- External DC stop available as an accessory



ericsson.com/antenna-system



Scan or [click](#)



Product No.		78211580	78211582	78211584
		Single Unit	Single Unit	Single Unit
		78211581	78211583	78211585
		Double Unit	Double Unit	Double Unit
Pass band				
Band 1 (TETRA ... GSM 900)	MHz		380 – 960	
Band 2 (GSM 1800)	MHz		1427 – 1880	
Band 3 (UMTS)	MHz		1920 – 2200	
Band 4 (LTE 2600)	MHz		2300 – 2690	
Insertion loss				
Port 1 ↔ Port 5	dB		< 0.2 (380 – 960 MHz)	
Port 2 ↔ Port 5	dB		< 0.3 (1427 – 1880 MHz)	
Port 3 ↔ Port 5	dB		< 0.3 (1920 – 2200 MHz)	
Port 4 ↔ Port 5	dB		< 0.3 (2300 – 2690 MHz)	
Isolation	dB		> 40	
VSWR			< 1.25	
Impedance	Ω		50	
Input power				
Band 1/Band 2/Band 3/Band 4	W		< 200 / < 200 / < 200 / < 100	
Intermodulation products	dBc		< -160 (3rd order; with 2 x 20 W), exempt from TETRA 360 – 470 MHz: < -150	
Temperature range	°C °F		-40 ... +60 -40 ... +140	
Connectors			4.3-10 female	
Application			Indoor or outdoor (IP 66)	
DC/AISG transparency				
Port 1 ↔ Port 5	mA	By-pass (max. 2500)	Stop	Stop
Port 2 ↔ Port 5	mA	By-pass (max. 2500)	Stop	Stop
Port 3 ↔ Port 5	mA	By-pass (max. 2500)	Stop	By-pass (max. 2500)
Port 4 ↔ Port 5	mA	By-pass (max. 2500)	By-pass (max. 2500)	Stop
Lightning protection	kA		3, 10/350 μs pulse	
Mounting	mm in		Wall mounting: With 4 screws (max.: 8 0.315 diameter) / Mast mounting: With clamp set	
Weight	kg lb		Single unit: 3.9 8.6 / Double unit: 7.7 17.0	
Dimensions (w x h x d)	mm in		Single unit: 270 x 213 x 67 10.6 x 8.4 x 2.6 Double unit: 270 x 213 x 138 10.6 x 8.4 x 5.4 (without connectors, without mounting brackets)	
Packing size	mm in		Single unit: 394 x 339 x 160 15.5 x 13.3 x 6.3 Double unit: 394 x 339 x 230 15.5 x 13.3 x 9.1	

Accessories (order separately)

Product No.		Clamp set suitable for mast diameter of
734360	mm in	34–60 1.34–2.36
734364	mm in	120–140 4.72–5.51
734365	mm in	45–125 1.77–4.92

Product No.	Description
78210484	50-Ohm load
78211000	DC stop

Typical Attenuation Curves

Diagram I

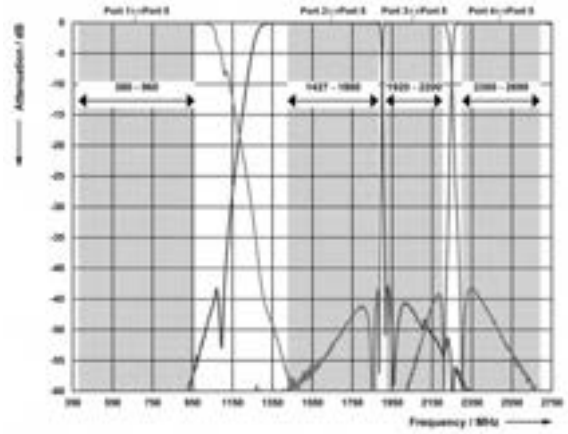
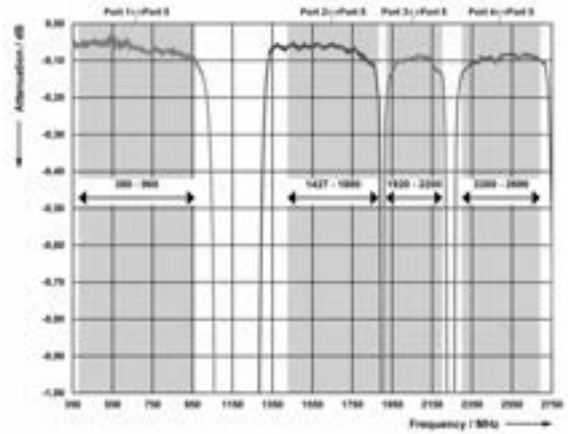
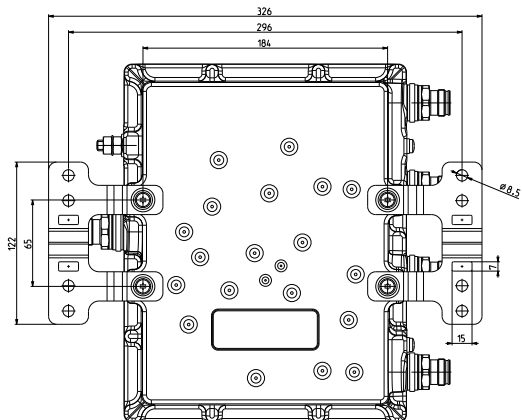
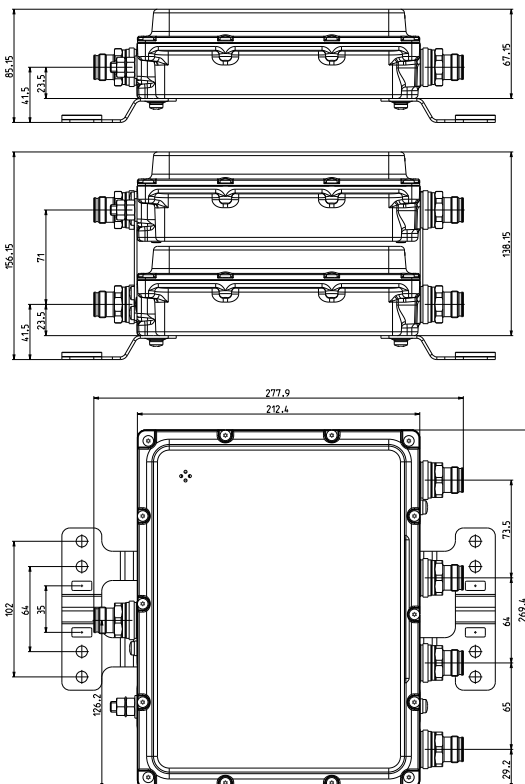


Diagram II



Dimensions in mm



AUTO-
SENSE

Double Unit

Quad-Band Combiner

78211588, 78211588V01

380–960 MHz
1427–1880 MHz
1920–2200 MHz
2300–2690 MHz

- Can be used as a combiner near the BTS or in a reciprocal function near the antenna
- Very low insertion loss
- Enables feeder sharing
- Designed for co-siting purposes
- Integrated Auto-Sense technology for automatic DC / AISG detection and bypass functionality
- Suitable for indoor and outdoor applications
- Wall or mast mounting
- Built-in lightning protection



ericsson.com/antenna-system

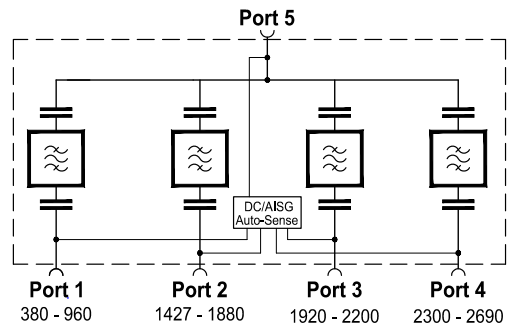


Scan or [click](#)

Priority table for 78211588V01 with Priority Controlled Function

380–960 MHz	Priority 2
1427–1880 MHz	Priority 4 (lowest)
1920–2200 MHz	Priority 3
2300–2690 MHz	Priority 1 (highest)

For more information see Auto-Sense quick guide later in this datasheet.



Product No. DC/AISG transparency 1. First In - First Out Function 2. Priority Controlled Function		78211588 78211588V01 Double Unit
Pass band		
Band 1 (TETRA ... GSM 900)	MHz	380 – 960
Band 2 (GSM 1800)	MHz	1427 – 1880
Band 3 (UMTS)	MHz	1920 – 2200
Band 4 (LTE 2600)	MHz	2300 – 2690
Insertion loss		
Port 1 ↔ Port 5	dB	< 0.2 (380 – 960 MHz)
Port 2 ↔ Port 5	dB	< 0.3 (1427 – 1880 MHz)
Port 3 ↔ Port 5	dB	< 0.3 (1920 – 2200 MHz)
Port 4 ↔ Port 5	dB	< 0.3 (2300 – 2690 MHz)
Isolation	dB	> 40
VSWR		< 1.25
Impedance	Ω	50
Input power		
Band 1/Band 2/Band 3/Band 4	W	< 200 / < 200 / < 200 / < 100
Intermodulation products	dBc	< -160 (3 rd order; with 2 x 20 W), exempt from TETRA 360 – 470 MHz: < -150
Temperature range	°C °F	-40 ... +60 -40 ... +140
Connectors		4.3-10 female
Application		Indoor or outdoor (IP 66)
DC/AISG transparency Port 1, 2, 3, 4 ↔ Port 5		Auto-Sense (max. 2000)
Lightning protection	kA	3, 10/350 μs pulse
Mounting	mm in	Wall mounting: With 4 screws (max.: 8 0.315 diameter) / Mast mounting: With clamp set
Weight	kg lb	7.8 17.2
Dimensions (w x h x d)	mm in	270 x 213 x 138 10.6 x 8.4 x 5.4 (without connectors, without mounting brackets)
Packing size	mm in	394 x 339 x 230 15.5 x 13.3 x 9.1

Accessories (order separately)

Product No.		Clamp set suitable for mast diameter of
734360	mm in	34–60 1.34–2.36
734364	mm in	120–140 4.72–5.51
734365	mm in	45–125 1.77–4.92

Product No.	Description
78210484	50-Ohm load
78211000	DC stop

Typical Attenuation Curves

Diagram I

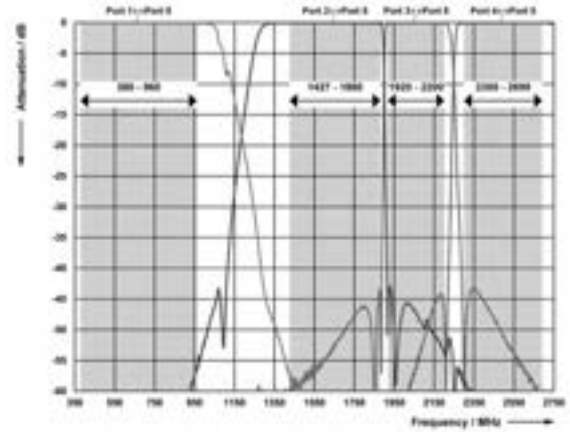
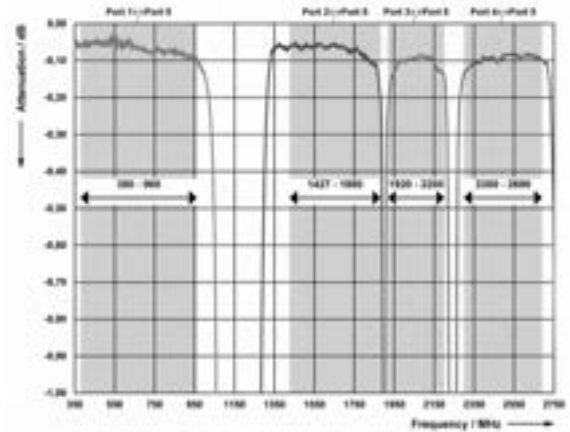
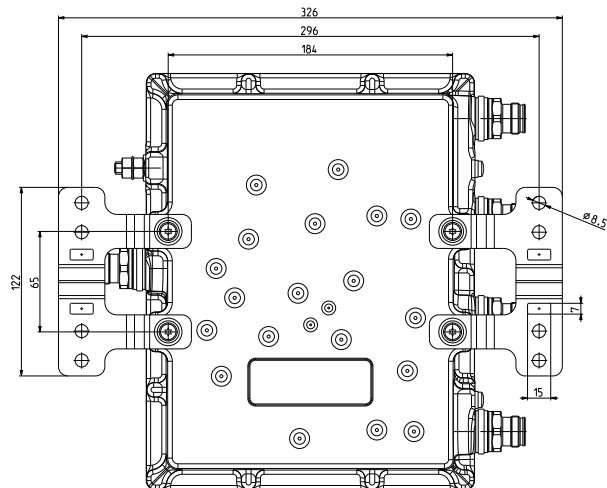
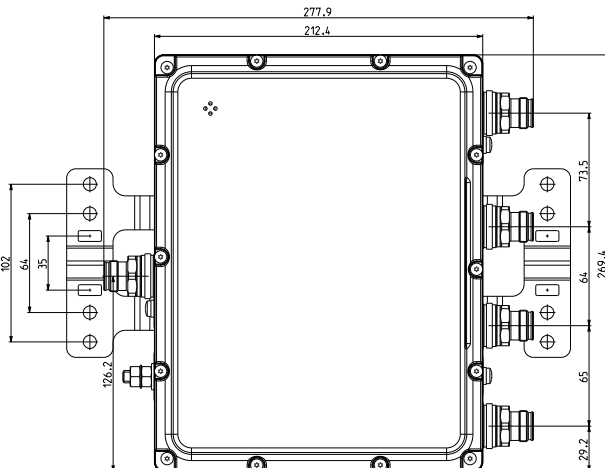
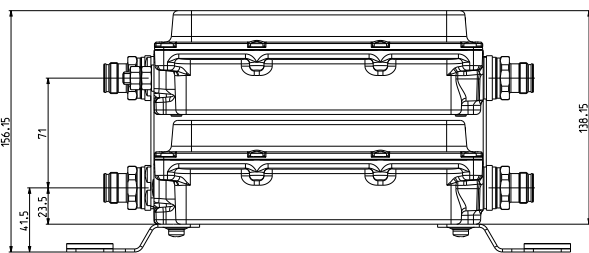
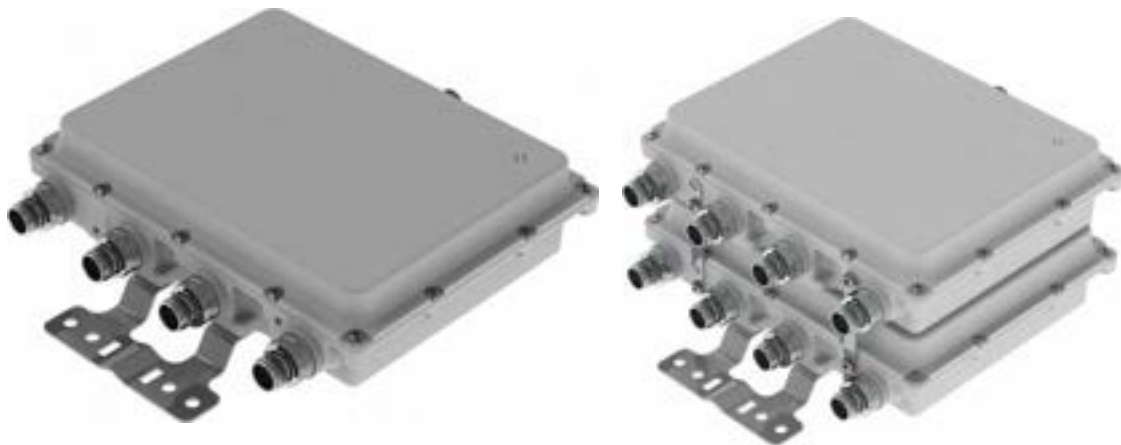


Diagram II



Dimensions in mm





Single Unit

Double Unit

Quad-Band Combiner

78211340, 78211341

690–862 MHz
880–960 MHz
1427–1880 MHz
1920–2690 MHz

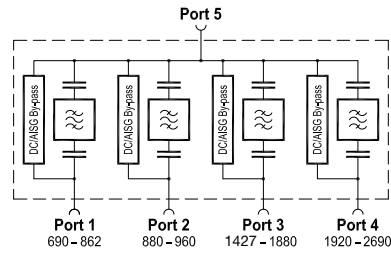
- Can be used as a combiner near the BTS or in a reciprocal function near the antenna
- Very low insertion loss
- Enables feeder sharing
- Designed for co-siting purposes
- Available as a single unit, or for XPol antennas as double unit
- Suitable for indoor and outdoor applications
- Wall or mast mounting
- Built-in lightning protection
- External DC stop available as an accessory



ericsson.com/antenna-system



Scan or [click](#)



Product No.		78211340 Single Unit
		78211341 Double Unit
Pass band		
Band 1	MHz	690 – 862
Band 2	MHz	880 – 960
Band 3	MHz	1427 – 1880
Band 4	MHz	1920 – 2690
Insertion loss		
Port 1 ↔ Port 5	dB	< 0.45, typ. 0.25 (690 – 862 MHz)
Port 2 ↔ Port 5	dB	< 0.45, typ. 0.3 (880 – 960 MHz)
Port 3 ↔ Port 5	dB	< 0.35, typ. 0.2 (1427 – 1880 MHz)
Port 4 ↔ Port 5	dB	< 0.35, typ. 0.3 (1920 – 2690 MHz)
Isolation	dB	> 40
VSWR		< 1.25
Impedance	Ω	50
Input power		
Band 1 / Band 2 / Band 3 / Band 4	W	< 200 / < 200 / < 200 / < 100
Intermodulation products	dBc	< -160 (3 rd order; with 2 x 20 W)
Temperature range	°C °F	-40 ... +60 -40 ... +140
Connectors		4.3-10 female
Application		Indoor or outdoor (IP 66)
DC/AISG transparency		
Port 1 ↔ Port 5	mA	By-pass (max. 2500)
Port 2 ↔ Port 5	mA	By-pass (max. 2500)
Port 3 ↔ Port 5	mA	By-pass (max. 2500)
Port 4 ↔ Port 5	mA	By-pass (max. 2500)
Lightning protection	kA	3, 10/350 μs pulse
Mounting	mm in	Wall mounting: With 4 screws (max. diameter 8 0.315) / Mast mounting: With included clamp set
Weight	kg lb	Single Unit: 6.7 14.6 / Double Unit: 13.3 29.3
Dimensions (w x h x d)	mm in	Single Unit approx.: 358 x 271 x 84 14.1 x 10.7 x 3.3 Double Unit approx.: 358 x 271 x 172 14.1 x 10.7 x 6.8 (without connectors, without mounting brackets)
Packing size	mm in	Single Unit: 460x 440 x 177 18.1 x 17.3 x 7.0 Double Unit: 460 x 440 x 265 18.1 x 17.3 x 10.4

Accessories (order separately)

Product No.		Clamp set suitable for mast diameter of
734360	mm in	34–60 1.34–2.36
734364	mm in	120–140 4.72–5.51
734365	mm in	45–125 1.77–4.92

Product No.	Description
78210484	50-Ohm load
78211000	DC stop

Typical Attenuation Curves

Diagram I

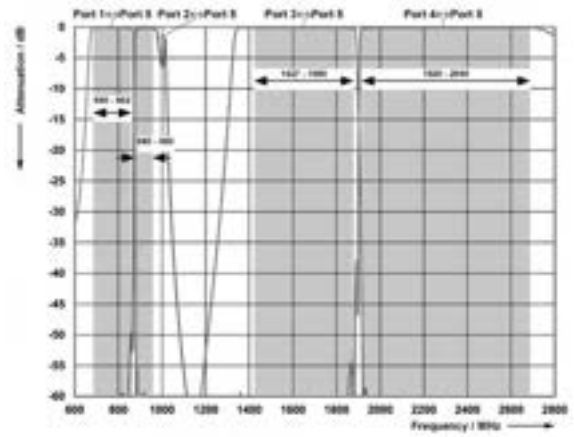
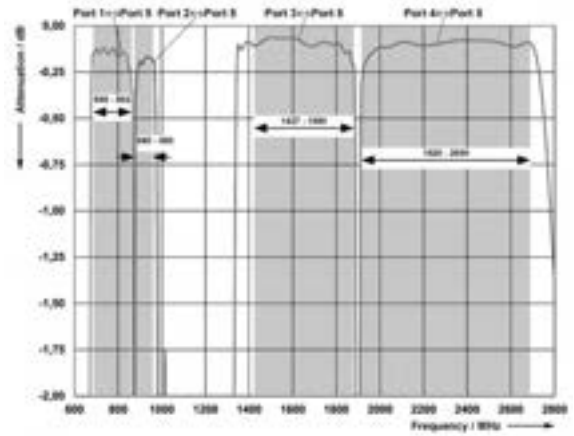
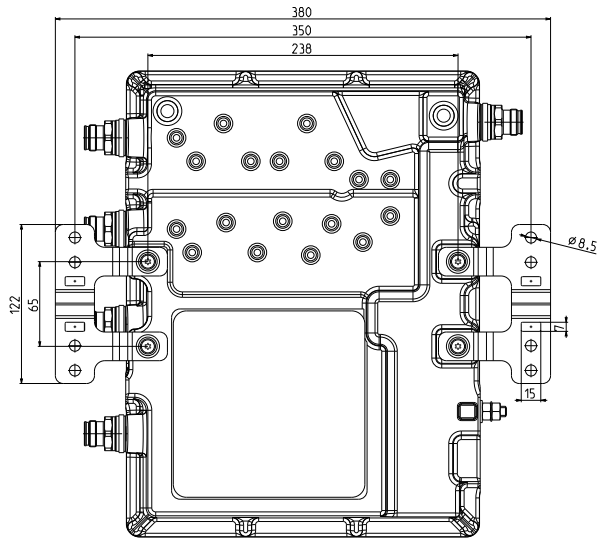
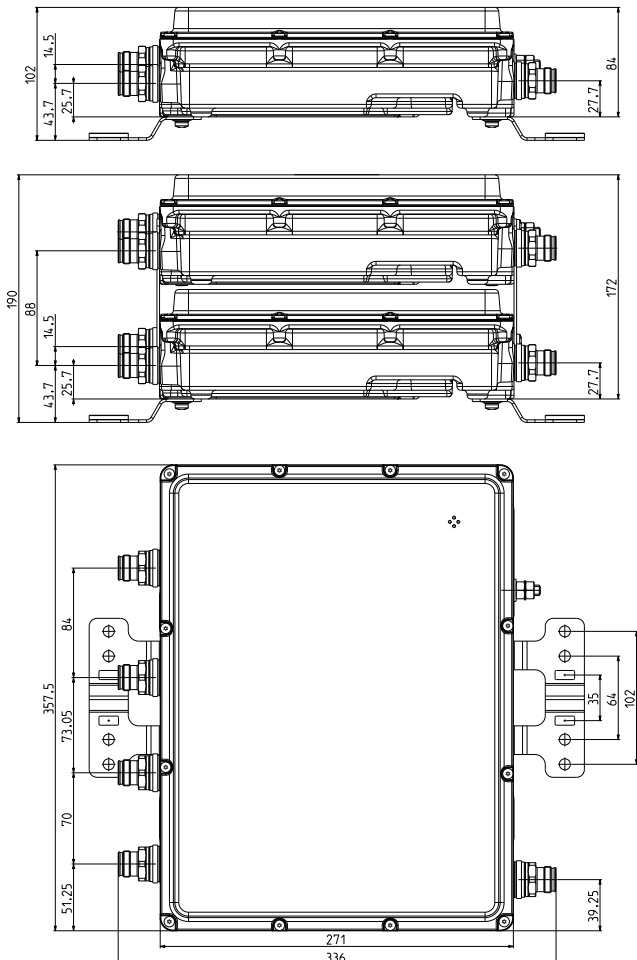


Diagram II



Dimensions in mm



AUTO-
SENSE

Double Unit

Quad-Band Combiner

78211348, 78211348V01

690–862MHz
880–960MHz
1427–1880MHz
1920–2690 MHz

- Can be used as a combiner near the BTS or in a reciprocal function near the antenna
- Very low insertion loss
- Enables feeder sharing
- Designed for co-siting purposes
- Integrated Auto-Sense technology for automatic DC / AISG detection and bypass functionality
- Suitable for indoor and outdoor applications
- Wall or mast mounting
- Built-in lightning protection



ericsson.com/antenna-system

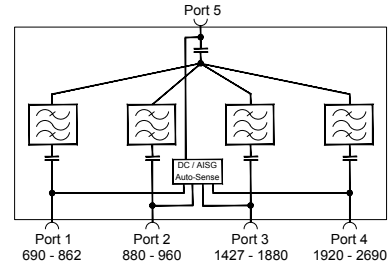


Scan or [click](#)

Priority table for 78211348V01 with Priority Controlled Function

690–862 MHz	Priority 2
880–960 MHz	Priority 3
1427–1880 MHz	Priority 4 (lowest)
1920–2690 MHz	Priority 1 (highest)

For more information see Auto-Sense quick guide later in this datasheet.



Product No. DC/AISG transparency 1. First In - First Out Function 2. Priority Controlled Function		78211348 78211348V01 Double Unit	
Pass band			
Band 1	MHz	690 – 862	
Band 2	MHz	880 – 960	
Band 3	MHz	1427 – 1880	
Band 4	MHz	1920 – 2690	
Insertion loss			
Port 1 ↔ Port 5	dB	< 0.45, typ. 0.25 (690 – 862 MHz)	
Port 2 ↔ Port 5	dB	< 0.45, typ. 0.3 (880 – 960 MHz)	
Port 3 ↔ Port 5	dB	< 0.35, typ. 0.2 (1427 – 1880 MHz)	
Port 4 ↔ Port 5	dB	< 0.35, typ. 0.3 (1920 – 2690 MHz)	
Isolation	dB	> 40	
VSWR		< 1.25	
Impedance	Ω	50	
Input power			
Band 1 / Band 2 / Band 3 / Band 4	W	< 200 / < 200 / < 200 / < 100	
Intermodulation products	dBc	< -160 (3 rd order; with 2 x 20 W)	
Temperature range	°C °F	-40 ... +60 -40 ... +140	
Connectors		4.3-10 female	
Application		Indoor or outdoor (IP 66)	
DC/AISG transparency			
Port 1, 2, 3, 4 ↔ Port 5	mA	Auto-Sense (max. 2000)	
Lightning protection	kA	3, 10/350 μs pulse	
Mounting	mm in	Wall mounting: With 4 screws (max. diameter 8 0.315) Mast mounting: With included clamp set	
Weight	kg lb	13.5 29.6	
Dimensions (w x h x d)	mm in	358 x 271 x 172 14.1 x 10.7 x 6.8 (without connectors, without mounting brackets)	
Packing size	mm in	460 x 440 x 265 18.1 x 17.3 x 10.4	

Accessories (included)

Product No.		Clamp set suitable for mast diameter of
734365	mm in	45–125 1.77–4.92

Accessories (order separately)

Product No.		Description
78210484		50-Ohm load
78211000		DC stop
734360	mm in	Clamp set: 34–60 1.34–2.36
734364	mm in	Clamp set: 120–140 4.72–5.51

Typical Attenuation Curves

Diagram I

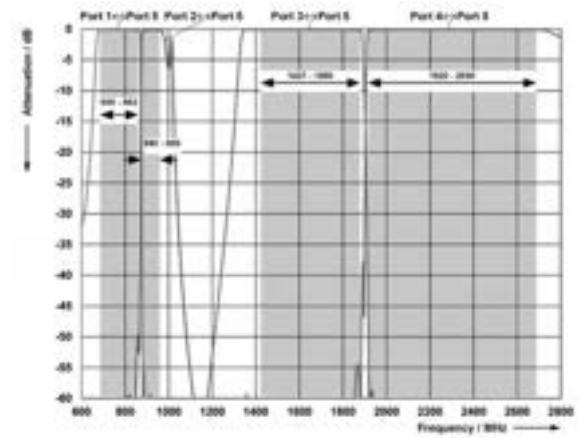
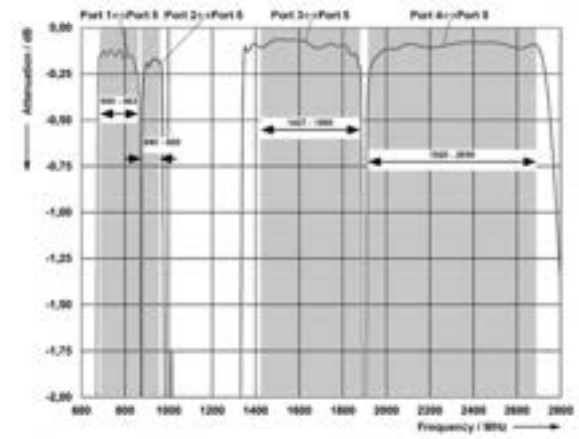


Diagram II



Dimensions in mm

